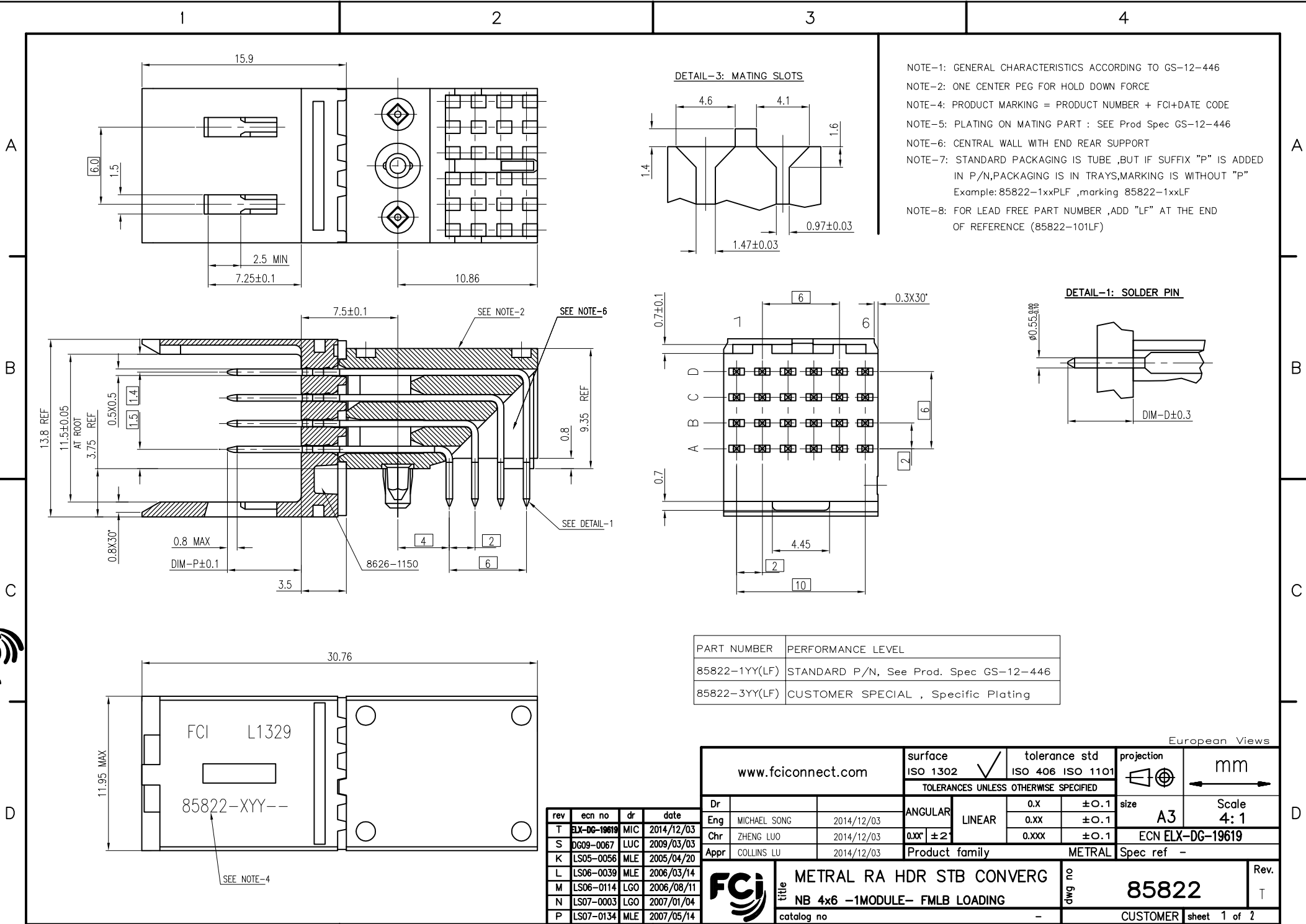




Copyright FCI



NOTE-1: GENERAL CHARACTERISTICS ACCORDING TO GS-12-446  
 NOTE-2: ONE CENTER PEG FOR HOLD DOWN FORCE  
 NOTE-4: PRODUCT MARKING = PRODUCT NUMBER + FCI+DATE CODE  
 NOTE-5: PLATING ON MATING PART : SEE Prod Spec GS-12-446  
 NOTE-6: CENTRAL WALL WITH END REAR SUPPORT  
 NOTE-7: STANDARD PACKAGING IS TUBE ,BUT IF SUFFIX "P" IS ADDED IN P/N,PACKAGING IS IN TRAYS,MARKING IS WITHOUT "P"  
 Example: 85822-1xxPLF ,marking 85822-1xxLF  
 NOTE-8: FOR LEAD FREE PART NUMBER ,ADD "LF" AT THE END OF REFERENCE (85822-101LF)

PART NUMBER	PERFORMANCE LEVEL
85822-1YY(LF)	STANDARD P/N, See Prod. Spec GS-12-446
85822-3YY(LF)	CUSTOMER SPECIAL , Specific Plating

rev	ecn no	dr	date
T	ELX-DG-19619	MIC	2014/12/03
S	DG09-0067	LUC	2009/03/03
K	LS05-0056	MLE	2005/04/20
L	LS06-0039	MLE	2006/03/14
M	LS06-0114	LGO	2006/08/11
N	LS07-0003	LGO	2007/01/04
P	LS07-0134	MLE	2007/05/14

www.fciconnect.com		surface ISO 1302 ✓	tolerance std ISO 406 ISO 1101	projection mm
TOLERANCES UNLESS OTHERWISE SPECIFIED				
Dr	Eng	Chr	Appr	size
	MICHAEL SONG	ZHENG LUO	COLLINS LU	A3
	2014/12/03	2014/12/03	2014/12/03	Scale 4:1
				ECN ELX-DG-19619
Product family METRAL				Spec ref -
title METRAL RA HDR STB CONVERG			dwg no 85822	Rev. T
catalog no -			CUSTOMER	sheet 1 of 2

1

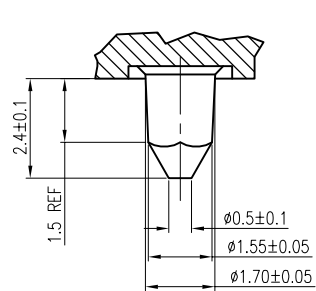
2

3

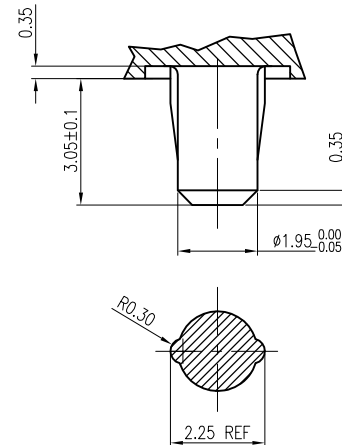
4

PART NUMBER / CONTACT LOADING						
DIM-P ±0.10				DIM-D ±0.30	TIN LEAD PART NUMBER	LEAD FREE PART NUMBER
ROW-A	ROW-B	ROW-C	ROW-D			
5.00	5.00	5.00	5.00	2.90	85822-X01	85822-X01LF
5.00	5.75	5.00	5.00	2.90	85822-X02	85822-X02LF
5.00	5.75	6.50	5.00	2.90	85822-X03	85822-X03LF
5.00	5.00	6.50	5.00	2.90	85822-X04	85822-X04LF
5.75	5.75	5.75	5.75	2.90	85822-X05	85822-X05LF
6.50	5.75	5.00	5.75	2.90	85822-X06	85822-X06LF
6.50	6.50	6.50	5.75	2.90	85822-X07	85822-X07LF
6.50	5.75	6.50	5.75	2.90	85822-X08	85822-X08LF
6.50	5.00	5.00	5.00	2.90	85822-X09	85822-X09LF
5.75	5.75	5.75	5.75	3.70	85822-X10	85822-X10LF

DETAIL OF LOCATING PEGS (2x) SCALE 8/1

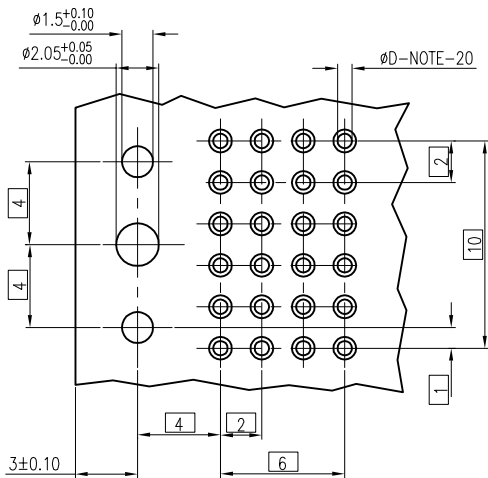


DETAIL OF CENTRAL PEG SCALE 8/1



METRAL P/N	ROW	DIM P ±0.1 MOD. 1						DIM D ±0.3
		1	2	3	4	5	6	
85822-X11LF	D	5.0	5.0	5.0	6.50	5.0	5.0	2.90
	C	5.0	5.0	5.0	6.50	5.0	5.0	
	B	5.0	5.0	5.0	5.0	5.0	5.0	
85822-X11	A	5.0	5.0	5.0	5.0	5.0	5.0	2.90
	D	5.0	—	5.0	5.0	5.0	5.0	
	C	5.0	—	5.0	5.0	5.0	5.0	
85822-X12LF	B	—	5.0	5.0	5.0	5.0	5.0	2.90
	A	5.0	5.0	6.5	6.5	5.0	5.0	
	D	5.0	5.0	6.5	6.5	5.0	5.0	

RECOMMENDED PCB LAYOUT



NOTE-20: FINISH HOLE DIAMETER See Prod Spec GS-12-446

OTHERS INFORMATIONS,SEE DRW 85822-1

European Views

www.fciconnect.com		surface ISO 1302 ✓	tolerance std ISO 406 ISO 1101	projection	mm
TOLERANCES UNLESS OTHERWISE SPECIFIED					
Dr	Eng	Chr	Appr	size A3	Scale 4:1
	MICHAEL SONG	ZHENG LUO	COLLINS LU	ECN ELX-DG-19619	
Product family			METRAL	Spec ref	-
<b>METRAL RA HDR STB CONVERG</b> title 4x6 -1MODULE -FMLB LOADING catalog no -				dwg no <b>85822</b>	Rev. T
				CUSTOMER	sheet 2 of 2

rev	ecn no	dr	date
T	ELX-DG-19619	MIC	2014/12/03
S	DG09-0067	LUC	2009/03/03
K	LS05-0056	MLE	2005/04/20
L	LS06-0039	MLE	2006/03/14
M	LS06-0114	LGO	2006/08/11
N	LS07-0003	LGO	2007/01/04
P	LS07-0134	MLE	2007/05/14



Copyright FCI

# Mouser Electronics

Authorized Distributor

Click to View Pricing, Inventory, Delivery & Lifecycle Information:

[FCI / Amphenol:](#)

[85822-101LF](#) [85822-109LF](#) [85822-103LF](#) [85822-111LF](#) [85822-105LF](#) [85822-112LF](#)