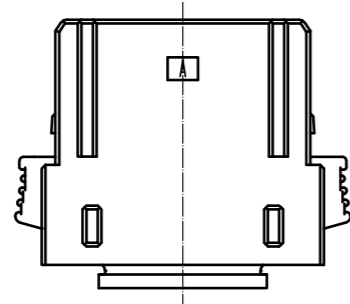
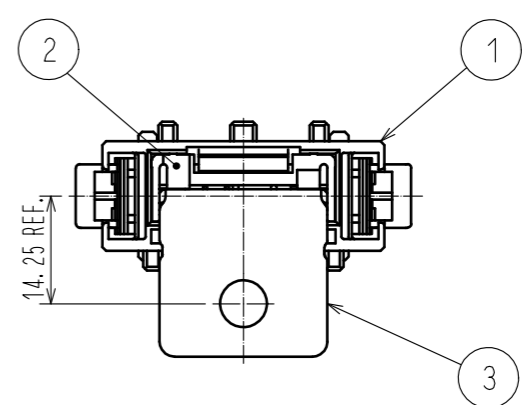
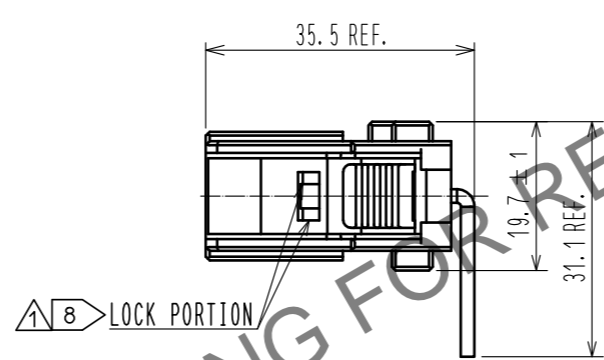
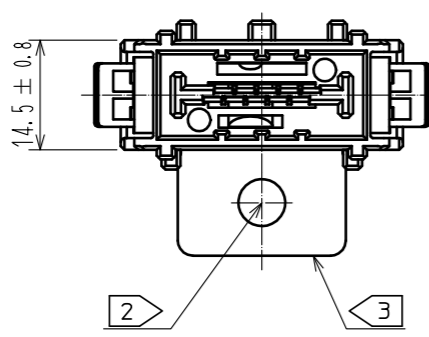
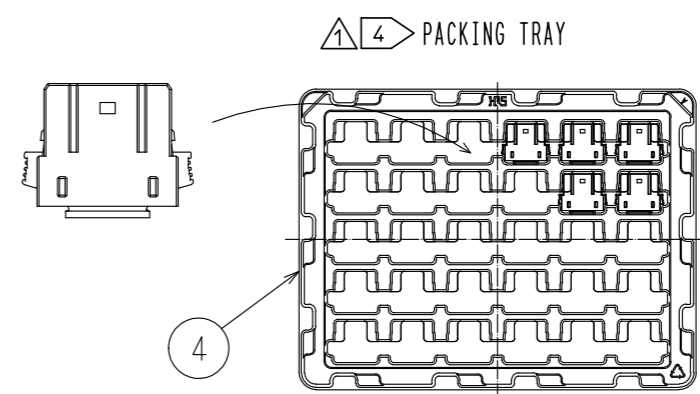
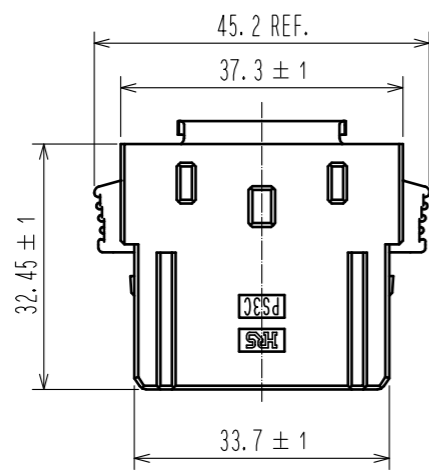


Jul.1.2024 Copyright 2024 HIROSE ELECTRIC CO., LTD. All Rights Reserved.
 In case of consideration for using Automotive equipment / device which demand high reliability, kindly contact our sales window correspondents.



HRS DRAWING FOR REFERENCE

NO.	MATERIAL	FINISH .	REMARKS	NO.	MATERIAL	FINISH .	REMARKS
2	PBT	BLACK	UL94V-0	4	PP		
1	PBT	RED	UL94V-0	3	COPPER	SILVER PLATING	3μm MIN

UNITS	SCALE	COUNT	DESCRIPTION OF REVISIONS	DESIGNED	CHECKED	DATE
mm	1 : 1	4	DIS-E-00000029	WR. YAMADA	NM. NISHIMATSU	15. 02. 19

APPROVED	: NM. NISHIMATSU	14. 07. 23	DRAWING NO.	EDC3-128555-00	
CHECKED	: NM. NISHIMATSU	14. 07. 23	PART NO.	PS3C-B-1UP	
DESIGNED	: WR. YAMADA	14. 07. 22	CODE NO.	CL236-1065-8-00	
DRAWN	: WR. YAMADA	14. 07. 22			

Jul.1.2024 Copyright 2024 HIROSE ELECTRIC CO., LTD. All Rights Reserved.
 In case of consideration for using Automotive equipment / device which demand high reliability, kindly contact our sales window correspondents.

⑥ CONDITION OF SAFETY STANDARD(UL, C-UL, TUV STANDARD)

⑥
TABLE 1. UL, C-UL CONDITION

	CONDITION 1	CONDITION 2
CURRENT VOLTAGE(AC/DC)	600V	
CURRENT RATING	100A	150A
CABLE	14 TO 22sq(※1)	38 TO 50sq(※1)
CREEPAGE DISTANCE(※2)	MIN:3.2mm	
CLEARANCE DISTANCE(※2)	MIN:3.2mm	

⑥
TABLE 2. TUV CONDITION

	CONDITION I	CONDITION II	CONDITION III
CURRENT VOLTAGE(AC/DC)	800V	600V	1000V
CURRENT RATING	100A(CABLE 14 TO 22sq ※1) 125A(CABLE 38sq ※1) 150A(CABLE 50sq ※1)		
OVER VOLTAGE CATEGORY	II	III	
POLLUTION DEGREE	3		
CREEPAGE DISTANCE(※2)	MIN:12.6mm	MIN:12.6mm	MIN:16mm
CLEARANCE DISTANCE(※2)	MIN:6mm	MIN:6mm	MIN:8mm
INSULATION SYSTEM	BASIC INSULATION(PANEL HAS THE EARTH)		

※1 : AS SCREWS AND CRIMP TERMINAL ATTACHED WITH POWER CONTACT HAVE AN IMPACT ON THE CREEPAGE DISTANCE AND THE CLEARANCE DISTANCE, PLEASE USE RECOMMENDED SCREWS AND CRIMP TERMINALS. IN CASE YOU USE CABLES OTHER THAN FOLLOWING RECOMMENDED SCREWS AND CONTACTS, PLEASE BE CAREFUL THAT THE CREEPAGE DISTANCE AND THE CLEARANCE DISTANCE MEET THE STANDARD OF UL, C-UL, TUV.

※2 : THE COVERAGE OF THE CREEPAGE DISTANCE AND THE CLEARANCE DISTANCE IS AS FOLLOWS.
 -BETWEEN PLUS POWER SUPPLY CONTACT AND MINUS POWER SUPPLY CONTACT
 -BETWEEN PLUS CRIMP TERMINAL AND MINUS CRIMP TERMINAL
 -BETWEEN POWER CONTACT AND PANEL
 -BETWEEN CRIMP TERMINAL AND PANEL
 -BETWEEN SCREWS (ATTACHED WITH POWER CONTACT) AND PANEL

NOTE 1. THE MATING PARTNER OF THIS PRODUCT IS PS3C-B-1US(CCL236-1063-2-00).

② PLEASE USE M6 SCREW AND NUT FOR MOUNTING REF NO. ③ AND THE CRIMP TERMINAL. THE RECOMMENDED SCREW AND CRIMP TERMINAL IS AS FOLLOWS.

<SET1>
 -RECOMMENDED SCREW : JIS B 1188 SPRING WASHER + CROSS RECESSED PAN HEAD SCREW WITH CAPTIVE POLISHED CIRCULAR WASHER M6 X 12
 -RECOMMENDED NUT : JIS B 1181 M6 STYLE 1

<SET2>
 -RECOMMENDED HEXAGON HEAD SCREW : JIS B 1180 HEXAGON HEAD SCREW M6 X 14
 -RECOMMENDED NUT : HARD LOCK INDUSTRY CO.,LTD. HLN-R M6

<RECOMMENDED CRIMP TERMINAL>
 CABLE 14sq : JIS C 2805 R14-6
 CABLE 22sq : JIS C 2805 R22-6
 CABLE 38sq : MANUFACTURED BY NICHIFU CO.,LTD R38-6S
 CABLE 50sq : MANUFACTURED BY NICHIFU CO.,LTD R60-6S

③ SINCE THE POWER CONTACTS ARE SILVER PLATED, THEY MAY REACT WITH SULFIDE IN THE ATMOSPHERE TO CHANGE THE COLOUR TO BLACKISH BROWN.

⚠④ THE SALES UNIT IS ONE PIECE AND ONE BOX IS 60 PIECES. PLEASE YOUR ORDER IN UNIT OF 60 PIECES. PLEASE REFER ETAP-E3129.

5. THIS PRODUCT IS RECOMMENDED THE COVER 'PS3C-1UP-CVL(236-1066-0-00)' THAT COVERS THE POWER SUPPLY TERMINAL FOR THE SAFETY. IF THE COVER IS NOT BE USED, PLEASE PREPARE THE SHRINK TUBE OR
 ⑥ LIKE COVERING THE POWER SUPPLY TERMINAL.

THIS ITEM IS PLANNING TO BE APPROVED BY SAFETY STANDARD(UL, C-UL, TUV STANDARD) UNDER THE CONDITION OF TABLE 1 AND TABLE 2. SAFETY STANDARD IS DEFERRED UP TO THE APPLIED RATED VOLTAGE AND CURRENT. PLEASE SEE THE TABLE 1 AND TABLE 2.

7. THE POWER CONTACT OF THIS PRODUCT IS NOT APPLICABLE FOR HOT-SWAP. IT CAN NOT BE USED TO INTERRUPT THE POWER.

⚠⑧ PLEASE MAKE SURE THE LOCK PORTION AND MATING COMPLETELY WITH PS3C-B-1US.

HRS	DRAWING NO.	EDC3-128555-00
	PART NO.	PS3C-B-1UP
	CODE NO.	CL236-1065-8-00

⚠ 2/2