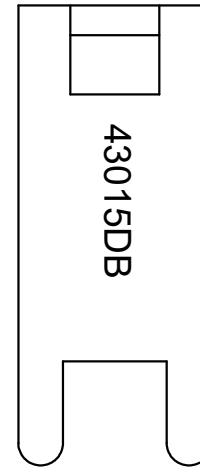
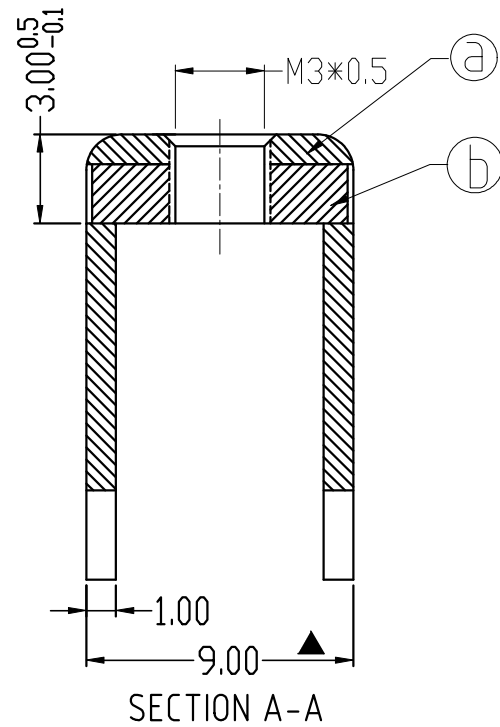
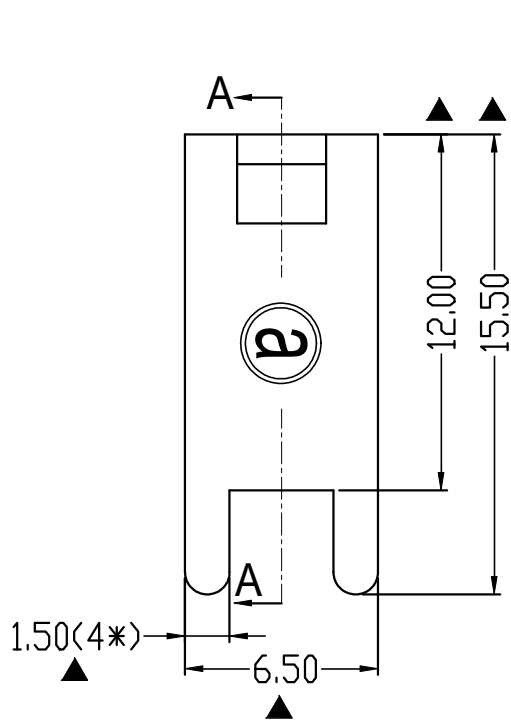


RoHS Compliant

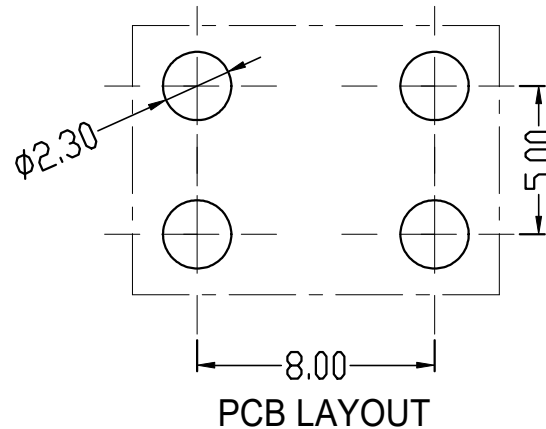
Rev.	SIGN	DATE	DESCRIPTION	APPROVER
A0		2023.10.20		Guoxue

THIS IS CAD DRAWING, DO NOT REVISE MANUALLY!!!



Technical Specification:

1. Material: Copper alloy, Matte Tin Plated.
2. Current: 40A.
3. Torque: 10 lbf.in.
4. Mark "▲" is the Critical dimension.



(b)	Spacer	Steel , Matte Tin Plated	1PCS
(a)	terminal	Copper alloy, Matte Tin Plated	1PCS
ITEM	PART NAME	DESCRIPTION	Q`ty

Amphenol
ANYTEK

CUSTOMER COPY

ALL RIGHTS RESERVED. REPRODUCTION OR ISSUE TO THIRD PARTIES
IN ANY FORM WHATSOEVER IS NOT PERMITTED WITHOUT WRITTEN AUTHORITY
FROM THE PROPRIETOR. PROPERTY OF ANYTEK TECHNOLOGY CO., LTD

TITLE		AMT43015DB terminal		
PART NO.	AMT0430015DB0000G	DWG NO.	8AMT0007	
APPROVED	CHECKED	DESIGNED	DRAWN	CUST NO.
		Guoxue 2023.10.20	Guoxue 2023.10.20	
				Tolerance >30 ±0.60 6-30 ±0.40 0-6 ±0.30 ANGLES ±1°
				UNIT: mm SCALE: NONE SHEET: 01/01 REV.: A0