

FEATURES:

- Available lengths of 12", 24", 36", and 48"
- Instant On
- Lead/Mercury Free
- Daisy chain or individual placement
- UL Rated
- Semi-Diffused
- Low Profile and Long Life
- Directional Efficiency

The Peninsula Series of LED lights deliver semi-diffused illumination in a low profile. P3200 linears are available in a variety of lengths and white color temperatures, and are designed for individual placement and daisy chained configurations.

SPECIFICATIONS

Part Number	Length	LED Color	Power Consumption	Color Temp (K) /Wavelength Range	Lumen Output
P3200-C--12	12"	Cool White	4.0	6500K	325
P3200-C--24	24"		8.0	6500K	618
P3200-C--36	36"		12.0	6500K	926
P3200-C--48	48"		16.0	6500K	1225
P3200-N--12	12"	Neutral White	4.0	4100K	325
P3200-N--24	24"		8.0	4100K	618
P3200-N--36	36"		12.0	4100K	926
P3200-N--48	48"		16.0	4100K	1225
P3200-W--12	12"	Warm White	4.0	3000K	325
P3200-W--24	24"		8.0	3000K	618
P3200-W--36	36"		12.0	3000K	926
P3200-W--48	48"		16.0	3000K	1225

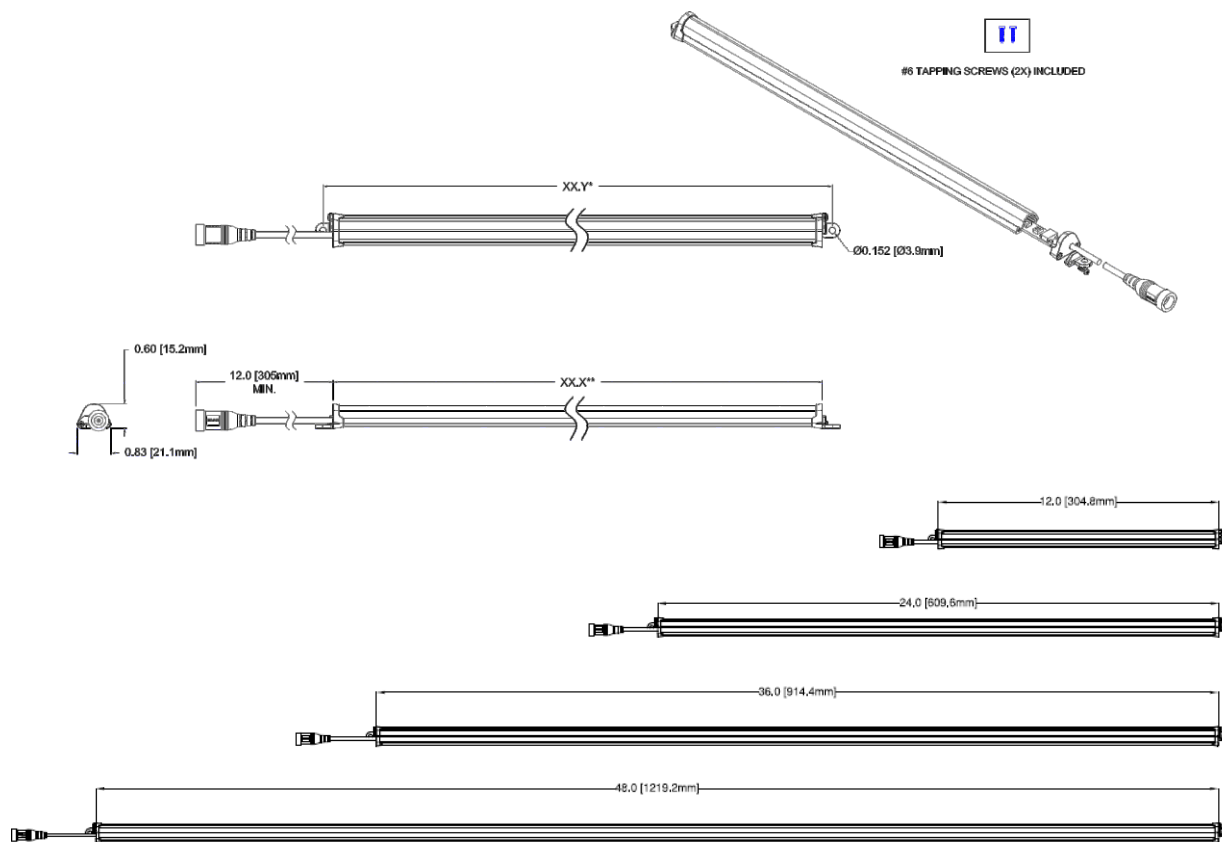
Rated Life:	50,000 hours
Output Projection:	120°
Operating Temperature:	0° C ~+ 40° C
Voltage Input:	24VDC, Constant Voltage
Controls:	See Accessory SW-1001
Housing:	Black Extruded Plastic, Clear Polycarbonate Lens
Weight:	53~212
Dimensions:	W .83" (21.1mm) H .60" (15.2mm) L Please see page 2 for length dimensions **not including mounts

Compliance:

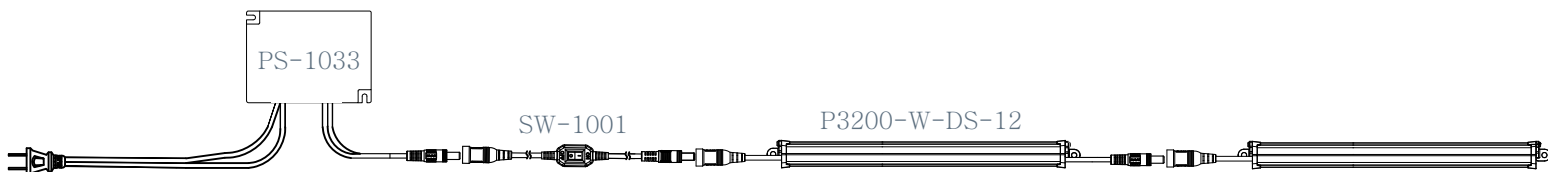


Restriction of Hazardous Substances Directive (RoHS) implements EU Directive 2002 / 95 which bans placing electrical and hazardous equipment that contains more than agreed levels of hazardous substances on the EU market. For a list of these substances, visit www.rohs.gov.uk.

DIMENSIONS



DAISYCHAIN CONFIGURATION



ORDERING INFORMATION

Model	Color	Type	Length	Example
P3200	C-Cool White	S-Standard	12"	P3200-C-S-12
P3200	W-Warm White	DS-Daisychain	12"	P3200-W-DS-12

ACCESSORIES

Class 2 Power Supply (40 Watt)

Califia Lighting Part #PS-1033

In-line On/Off Switch

Califia Lighting Part #SW-1001

All luminaires are easily customizable. Power accessories can be ordered separately.