

NOTES1:

- UL Standard
- 1. Rated voltage/current : 300V / 12A
- 2. Withstanding voltage : AC1600V/1Min.
- 3. Wire range : 28~14AWG

IEC Standard

1. Pollution degree	2	2	3
Overvoltage category	II	III	III
Rate impulse voltage(KV)	4KV	4KV	4KV
Rate voltage(V)	500V	320V	320V
Rate current(A)		17.5A	

- 2. Wire range : 0.2~1.5mm<sup>2</sup>

NOTES2:

- 1. Dimension shall be interpreted per ASME Y14.5-2009
- 2. Pitch : 5.00mm, Poles : N=02~24P
- 3. Stripping length : 8~9mm
- 4. Operating temperature: -40°C~+130°C
- 5. Undimensioned tolerances:

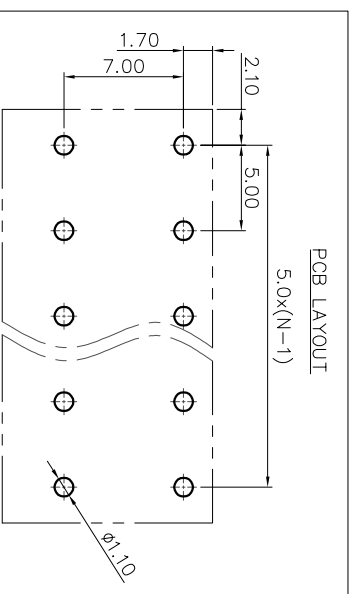
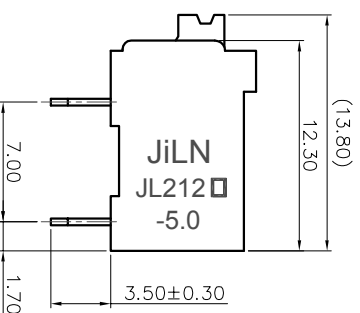
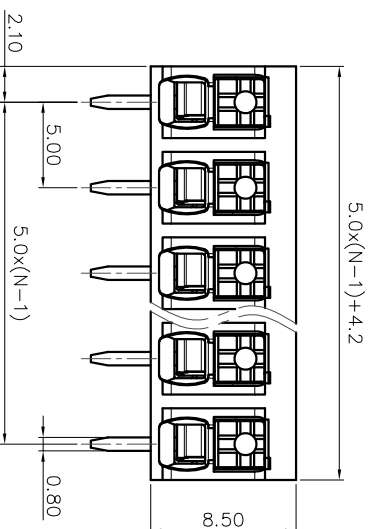
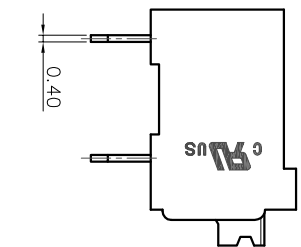
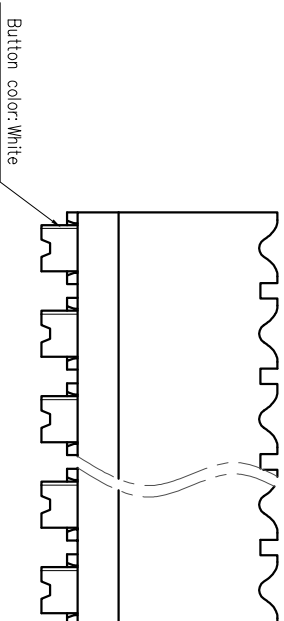
Pitch range in mm	Nominal dimension range in mm		-	D											
	Over	Over													
TO 6	TO 10	TO 30	TO 60	TO 100	TO 150	0.1/10	≤								
TO 6	TO 10	TO 24	TO 30	TO 60	TO 100	0.1/10									
±0.15		±0.20		±0.30		±0.50		±0.70		±1.00		±1.30		±2°	

- 6. RoHS Compliance

# Ordering Information

JL212R-500 XX B 0 1

Pitch 500=5.0PH  
 No. of pins 2P~24P  
 Housing Color B=Black G=Green U=Blue R=Red W=White Y=Yellow D=Orange E=Grey  
 Packing 0=Pe bag T=Tube A=Tray



REVISION RECORD				
REV	ECN	DESCRIPTION	DRFT	DATE
A0		NEW		21.10.14

DRAW	SHUANGPING ZHENG		SCALE	FIT	PART NO.	JILN® 东莞市锦凌电子有限公司 DONGGUAN JINLING ELECTRONIC CO., LTD
	CHECK	LICHAD LIU	UNIT	mm		
APPROVE	YONGLIANG GAO	SIZE	A4	SHEET	1/1	TITLE:
		PROJ				JL212R-THR-5.0-XXP 单簧式/弯脚 黑色