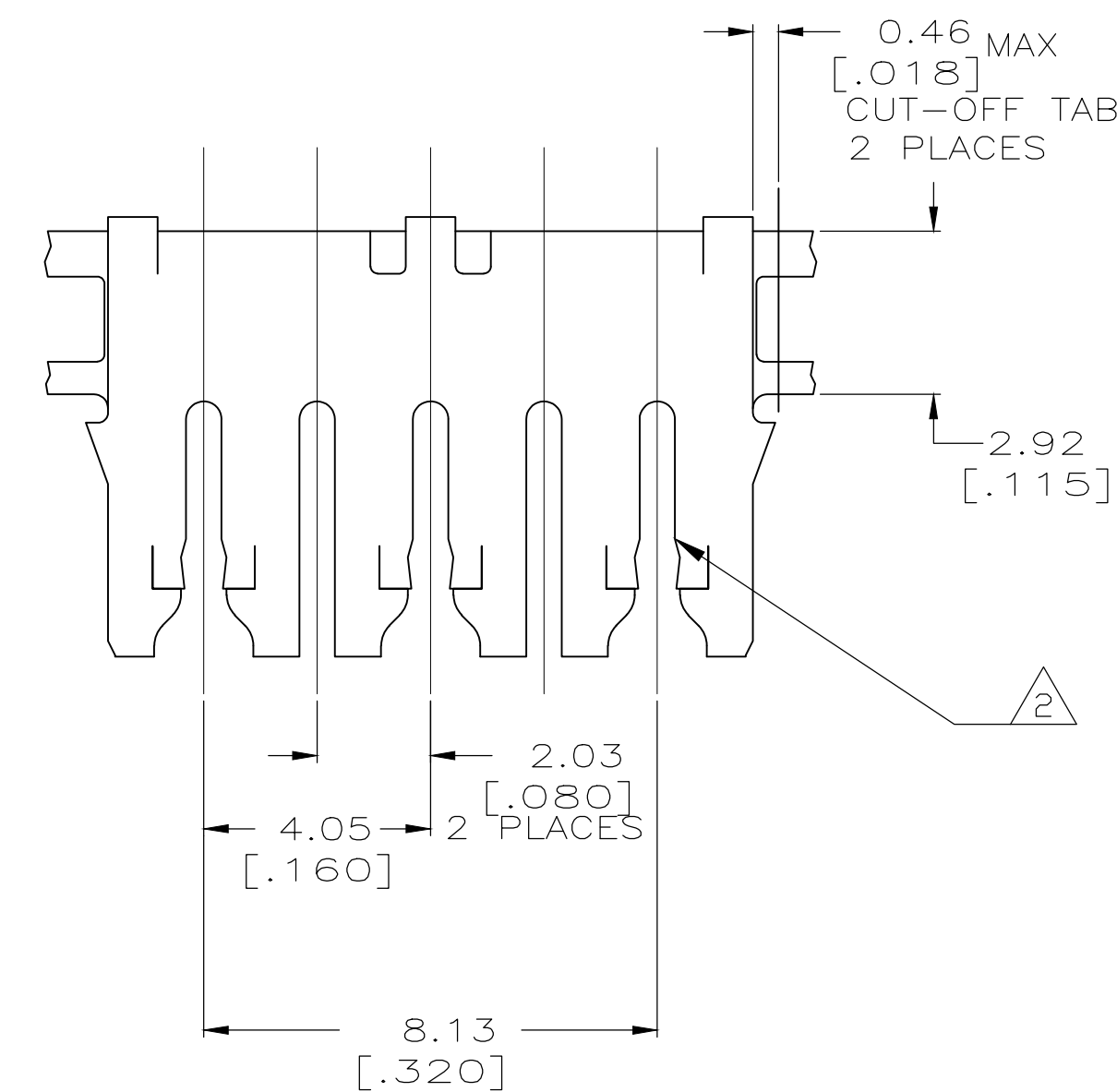
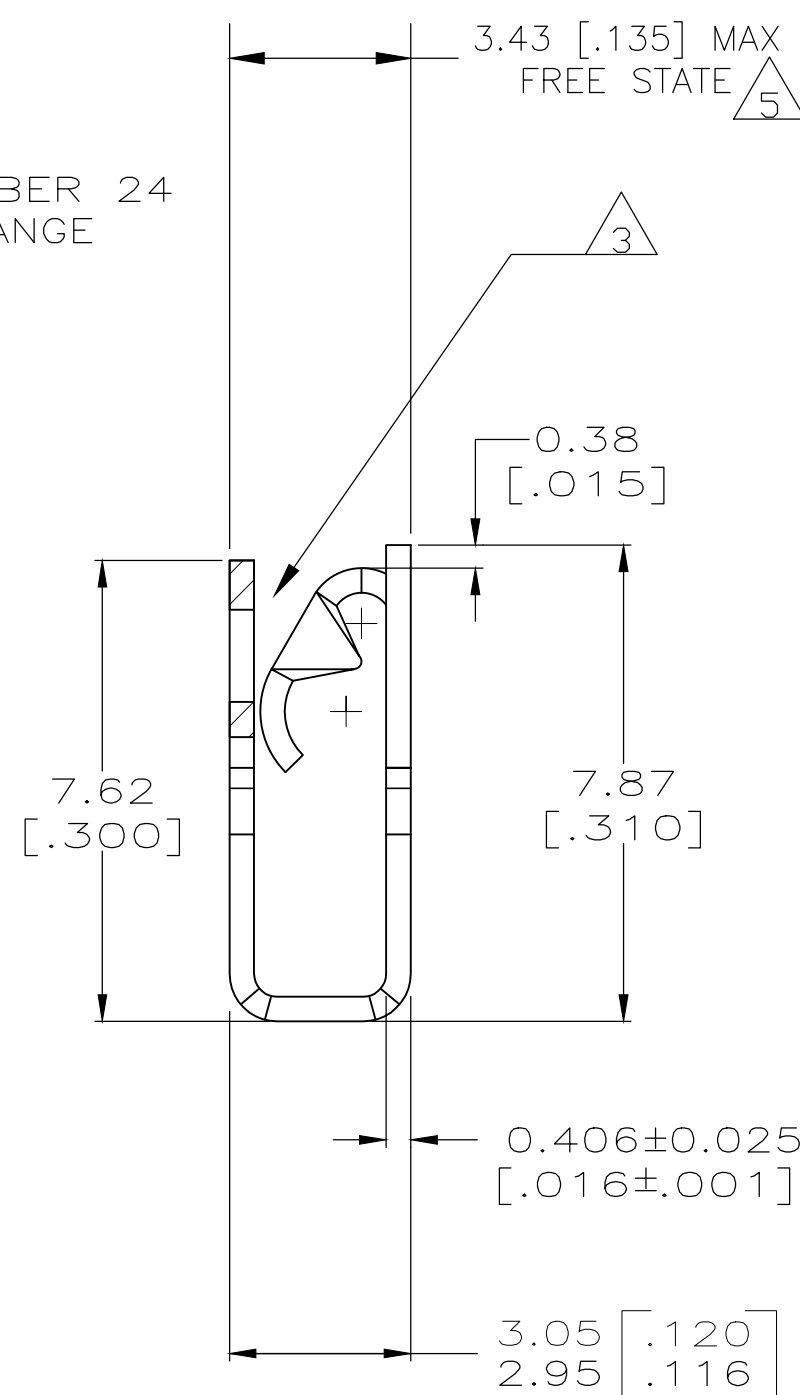
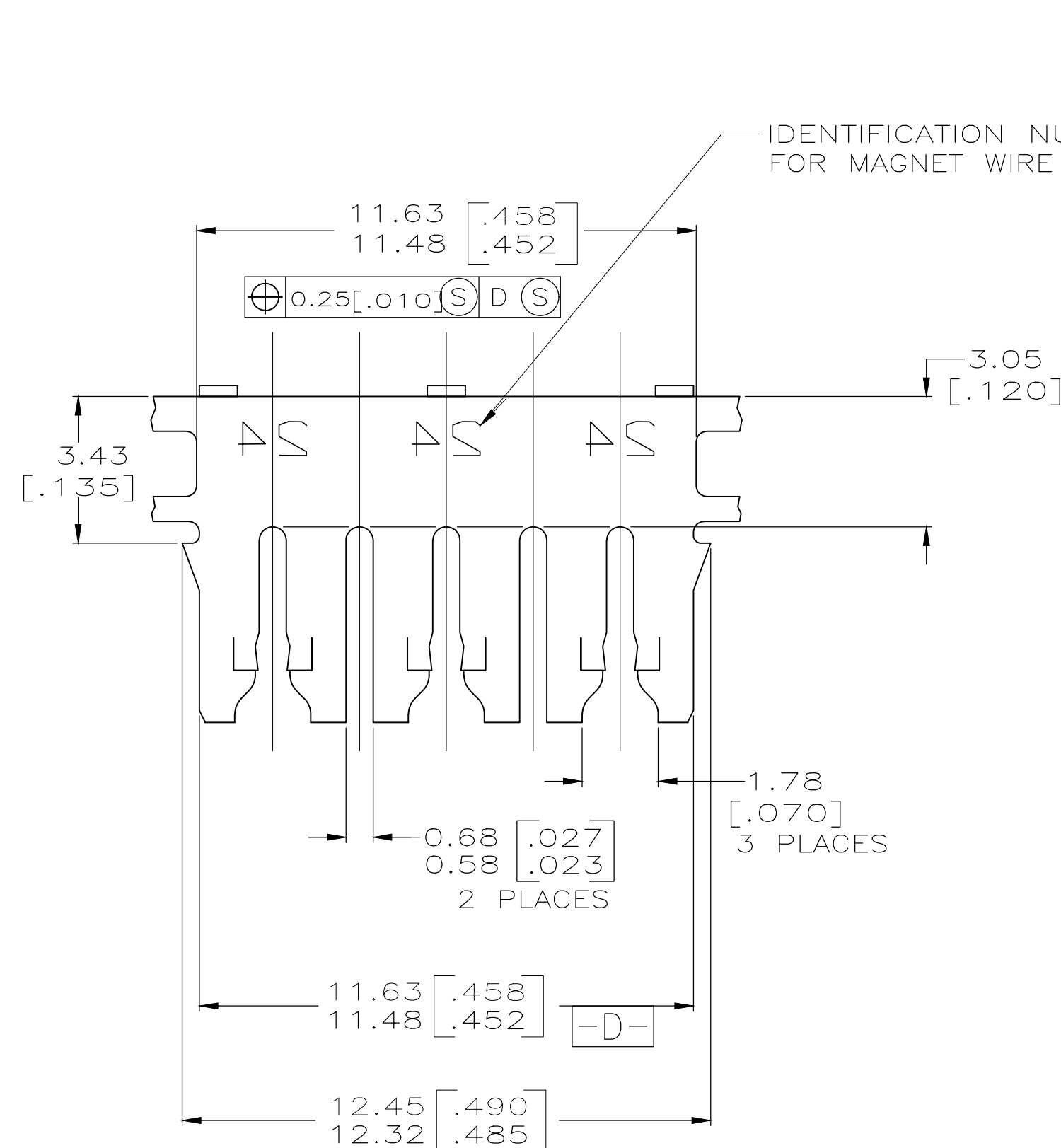
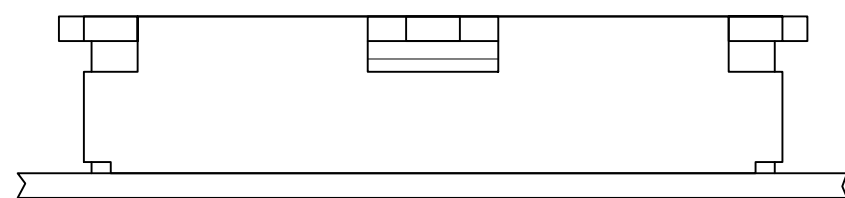


THIS DRAWING IS UNPUBLISHED. RELEASED FOR PUBLICATION
 © COPYRIGHT - TE Connectivity Ltd. ALL RIGHTS RESERVED.

REVISIONS				
P	LTR	DESCRIPTION	DATE	APVD
A		INITIAL RELEASE	25MAY2018	JH PKS

- 1 CONTINUOUS STRIP ON REELS WITH TERMINALS LOCATED ON 13.97±0.08 [.500±.003] CENTERS.
- 2 SLOTS TERMINATES A SINGLE MAGNET WIRE ONLY. COPPER RANGE: 0.91-1.15mm [#19-#17] AWG. AL WIRE RANGE: 0.95-1.15mm [#18.5-#17] AWG
- 3 MATES WITH STANDARD MAG-MATE STYLED POKE-IN TAB TERMINALS.
- 4 TERMINALS ARE STRESS RELIEVED.
- 5 DIMENSION APPLIES WITH LEAF EDGE TOUCHING CARRIER SIDE OF BOX.



1742347-1
PART NUMBER

THIS DRAWING IS A CONTROLLED DOCUMENT.		DWN 31AUG2005 MICHAEL S. FEHER	TE Connectivity Ltd.	
DIMENSIONS: mm[INCHES]		CHK 31AUG2005 KURT A. RANDOLPH		
TOLERANCES UNLESS OTHERWISE SPECIFIED:		APVD 31AUG2005 KURT A. RANDOLPH	NAME SPECIAL LEAF CONTACT, TRI-SLOT, 300 SERIES MAG-MATE	
0 PLC ± - 1 PLC ± - 2 PLC ± 0.25[.010] 3 PLC ± - 4 PLC ± - ANGLES ± 1°		PRODUCT SPEC 108-2012	SIZE A2	CAGE CODE 00779
MATERIAL 4M BRASS		FINISH POST TIN PLATE (4)	DRAWING NO 114-2046	DRAWING NO C=1742347
		WEIGHT 0.000000	SCALE 8:1	SHEET 1 OF 1
		CUSTOMER DRAWING	REV A	