

2-324485-1 ✓ ACTIVE

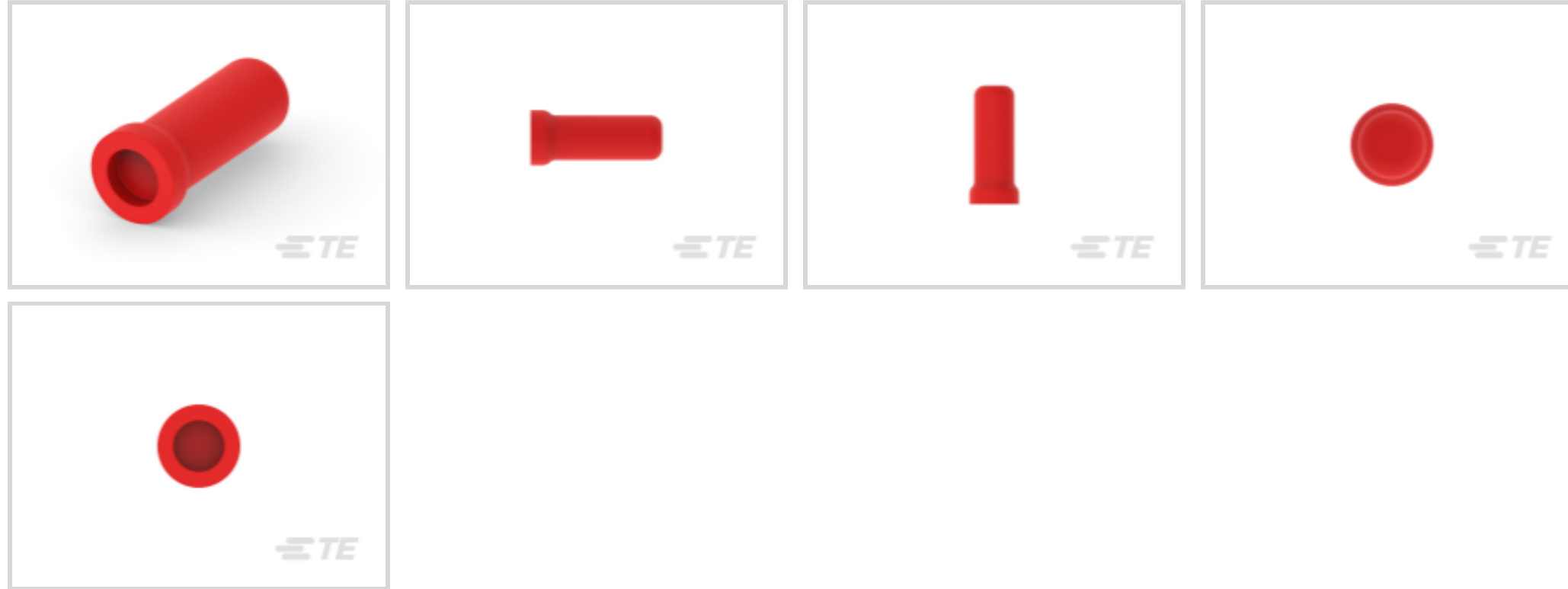
TE Internal #: 2-324485-1

Closed End Splice, Copper, Red, Length 13.08 mm [.515 in], Tape Mounted, Closed, Solid / Stranded Wire, Discrete Wire, Fully Insulated, Splices

[View on TE.com >](#)



Terminals & Splices > Splices



Splice Type: **Closed End Splice**

Sealable: **No**

Contact Base Material: **Copper**

Primary Product Color: **Red**

Terminal Material Thickness: **.51 mm [.02 in]**

Features

Product Type Features

Splice Accessory Type	Wire Cap
Splice Type	Closed End Splice
Sealable	No
Compatible With Discrete Wire Type	Solid, Stranded
Wire Insulation Support Retention Type	Non-Insulation Support

Configuration Features

Compatible With Wire & Cable Type	Discrete Wire
-----------------------------------	---------------

Body Features

Insulation Material	Nylon
Primary Product Color	Red

Contact Features

Contact Base Material	Copper
Barrel Type	Closed

Mechanical Attachment



Wire Insulation Support	Without
-------------------------	---------

Dimensions

Outside Diameter	4.98 mm[.196 in]
Terminal Material Thickness	.51 mm[.02 in]
Product Length	13.08 mm[.515 in]

Usage Conditions

Insulation Option	Fully Insulated
Operating Temperature Range	105 °C[221 °F]

Industry Standards

Government Qualified Splice	No
-----------------------------	----

Packaging Features

Packaging Quantity	4000
Packaging Method	Tape Mounted

Product Compliance

[For compliance documentation, visit the product page on TE.com>](#)

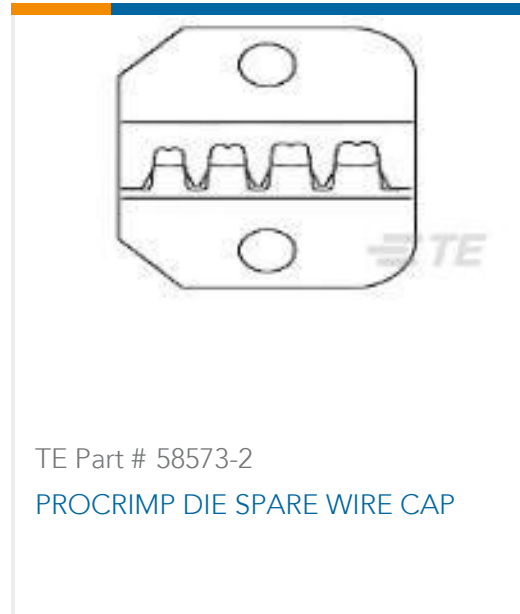
EU RoHS Directive 2011/65/EU	Compliant
EU ELV Directive 2000/53/EC	Compliant
China RoHS 2 Directive MIIT Order No 32, 2016	No Restricted Materials Above Threshold
EU REACH Regulation (EC) No. 1907/2006	Current ECHA Candidate List: JUNE 2024 (241) Candidate List Declared Against: JAN 2021 (211) Does not contain REACH SVHC
Halogen Content	Low Halogen - Br, Cl, F, I < 900 ppm per homogenous material. Also BFR/CFR/PVC Free
Solder Process Capability	Not applicable for solder process capability

Product Compliance Disclaimer

This information is provided based on reasonable inquiry of our suppliers and represents our current actual knowledge based on the information they provided. This information is subject to change. The part numbers that TE has identified as EU RoHS compliant have a maximum concentration of 0.1% by weight in homogenous materials for lead, hexavalent chromium, mercury, PBB, PBDE, DBP, BBP, DEHP, DIBP, and 0.01% for cadmium, or qualify for an exemption to these limits as defined in the Annexes of Directive 2011/65/EU (RoHS2). Finished electrical and electronic equipment products will be CE marked as required by Directive 2011/65/EU. Components may not be CE marked. Additionally, the part numbers that TE has identified as EU ELV compliant have a maximum concentration of 0.1% by weight in homogenous materials for lead, hexavalent chromium, and mercury, and 0.01% for cadmium, or qualify for an exemption to these limits as defined in the Annexes of Directive 2000/53/EC (ELV). Regarding the REACH Regulation, the information TE provides on SVHC in articles for this part number is based on the latest European Chemicals Agency (ECHA) 'Guidance on

requirements for substances in articles' posted at this URL: <https://echa.europa.eu/guidance-documents/guidance-on-reach>

Compatible Parts



Customers Also Bought



Documents

Product Drawings
WIRE CAP RED .080-.115
English



CAD Files

3D PDF

English

Customer View Model

[ENG_CVM_2-324485-1_N.2d_dxf.zip](#)

English

Customer View Model

[ENG_CVM_2-324485-1_N.3d_igs.zip](#)

English

Customer View Model

[ENG_CVM_2-324485-1_N.3d_stp.zip](#)

English

3D PDF

3D

Customer View Model

[ENG_CVM_CVM_2-324485-1_L.2d_dxf.zip](#)

English

Customer View Model

[ENG_CVM_CVM_2-324485-1_L.3d_igs.zip](#)

English

Customer View Model

[ENG_CVM_CVM_2-324485-1_L.3d_stp.zip](#)

English

By downloading the CAD file I accept and agree to the [Terms and Conditions](#) of use.