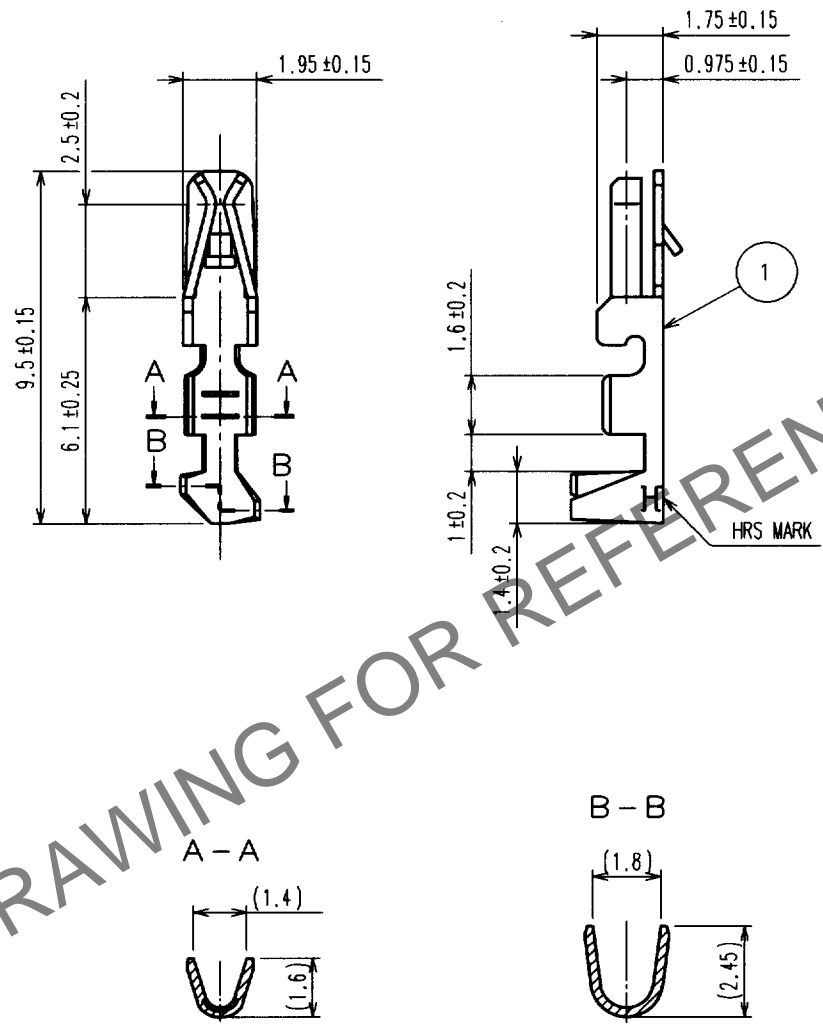


Jul.1.2024 Copyright 2024 HIROSE ELECTRIC CO., LTD. All Rights Reserved.
 In case of consideration for using Automotive equipment / device which demand high reliability, kindly contact our sales window correspondents.

1	2			3			4						
COUNT	DESCRIPTION OF REVISIONS			BY	CHKD	DATE	COUNT	DESCRIPTION OF REVISIONS			BY	CHKD	DATE
△							△						
△							△						
△							△						



HRS DRAWING FOR REFERENCE

NOTES 1. APPLICABLE CABLE : AWG24 TO 28

1	PHOSPHOR BRONZE	TIN PLATED
NO.	MATERIAL	FINISH, REMARKS

CODE NO. (OLD) CL	DRAWN J. NAKAMURA 01.05.16	DESIGNED <i>J. Inoue</i> '01.05.16	CHECKED <i>K. Akizawa</i> '01.5.17	APPROVED <i>K. Katayama</i> '01.5.17	RELEASED
----------------------	----------------------------------	--	--	--	----------

 SACLE 5 : 1 UNITS mm	DRAWING NO. EDC4-080531	PART NO. DF1B-2428SC
	 HIROSE ELECTRIC CO., LTD.	CODE NO. CL541-0679-4

TO

1	1
---	---