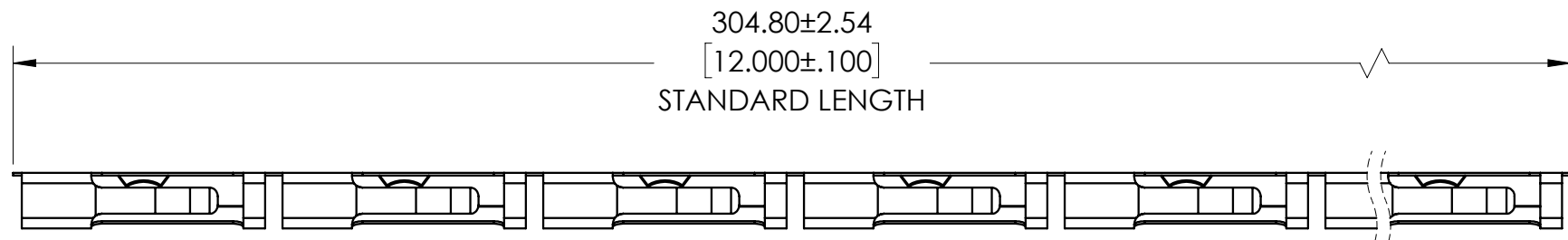
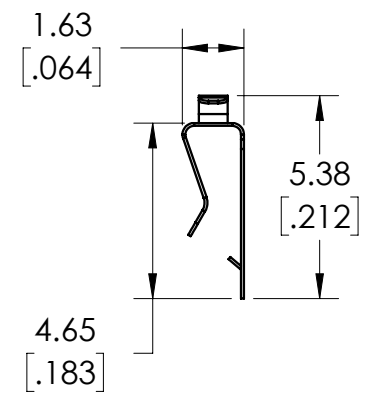
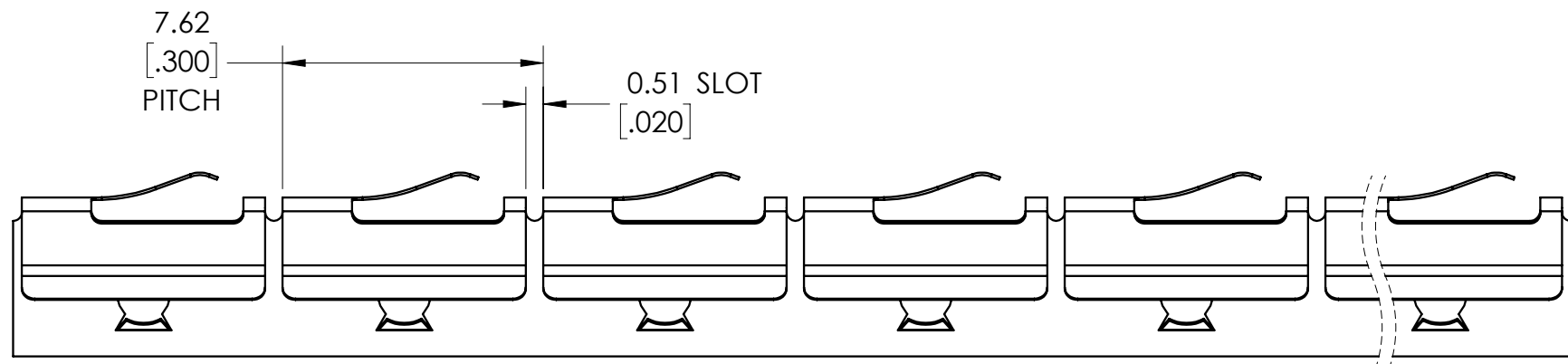


8	7	6	5
BASE PART NUMBER	THICKNESS	MATERIAL	STANDARD LENGTH PART NUMBER
0097-0654 (STANDARD)	0.076 ± 0.005 [0.0030]	BeCu ALLOY 25 TH01	0097065402

1	
PLATING CODE TABLE	
2	1
NUMBER CODE	PLATING TYPE
02	BRIGHT FINISH
17	BRIGHT TIN
19	BRIGHT NICKEL
MORE PLATING OPTIONS AVAILABLE CONTACT LAIRD SALES FOR DETAILS	



CUSTOM LENGTHS AVAILABLE IN MULTIPLES OF PITCHES OR "FINGERS"  
 LENGTH = PITCH X N  
 WHERE 'PITCH' IS 7.62 AND 'N' IS NUMBER OF PITCHES  
 EXAMPLE: 23 x 7.62 = 175.26MM LONG  
 SEE BOTTOM LEFT FOR CUSTOM LENGTH PART NUMBERING



CUSTOM LENGTH PART NUMBER CONFIGURATION:  
 00970654 XX N OXXXX

PLATING CODE (SEE TABLE) →

LENGTH IN MM TO ONE DECIMAL PLACE →

EXAMPLE: 0097065417N01753  
 BRIGHT TIN PLATING, 175.26MM LONG (23 FINGERS)

UNITS: MM [INCH]	<b>Laird</b>	LAIRD DRAWING NUMBER: <b>0097-0654-SALES</b>
TOLERANCES: X.X = ± 0.4 X.XX = ± 0.2 X.XXX = ± 0.1		THIS IS AN UNCONTROLLED SALES DRAWING. THE DIMENSIONAL CHARACTERISTICS AND TOLERANCES OF THIS PART SHOWN ON THIS DRAWING AS A REFERENCE TO THE DIMENSIONAL SPECIFICATIONS OF THE LAIRD STANDARD PRODUCTION DRAWING FOR THIS PART. ANY SUBSEQUENT CHANGES TO THE STANDARD PART SPECIFICATION WILL SUPERSEDE THIS SALES DRAWING.
ANGULAR: X° = ± 3° X.X° = ± 1.0°	3RD ANGLE PROJECTION	DESIGNED IN SOLIDWORKS
	SCALE: 5:1	SHEET 1 OF 1
	SIZE <b>B</b>	