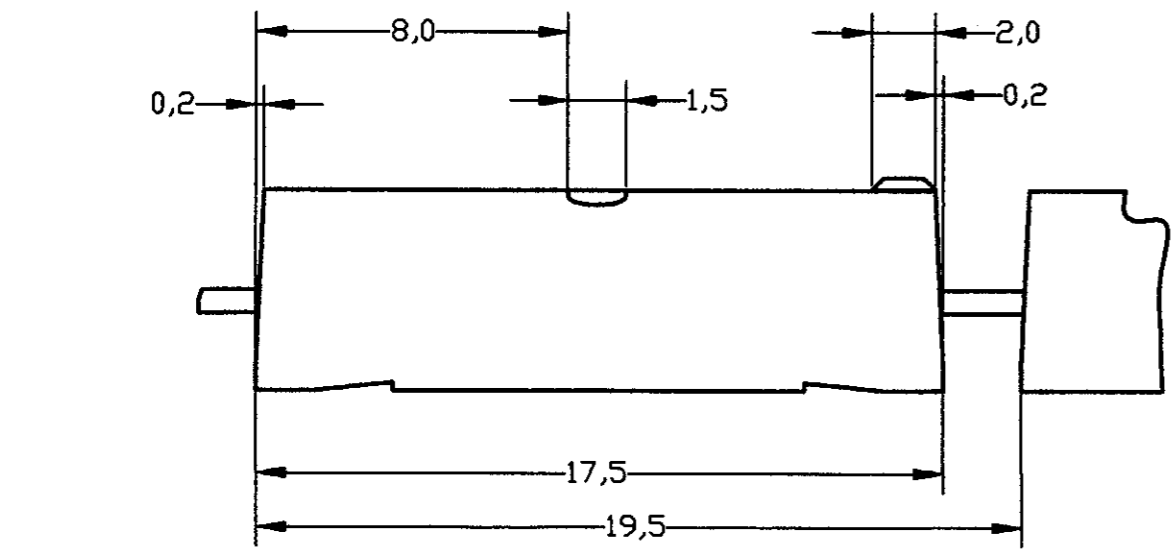
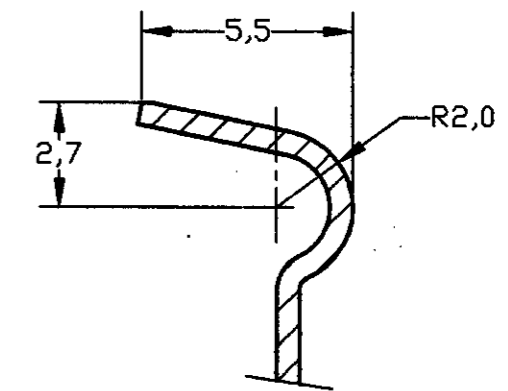
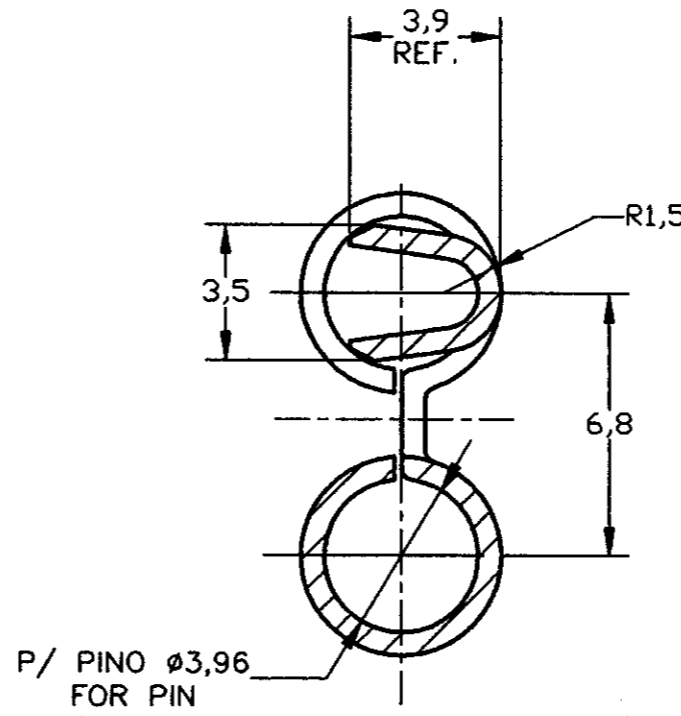
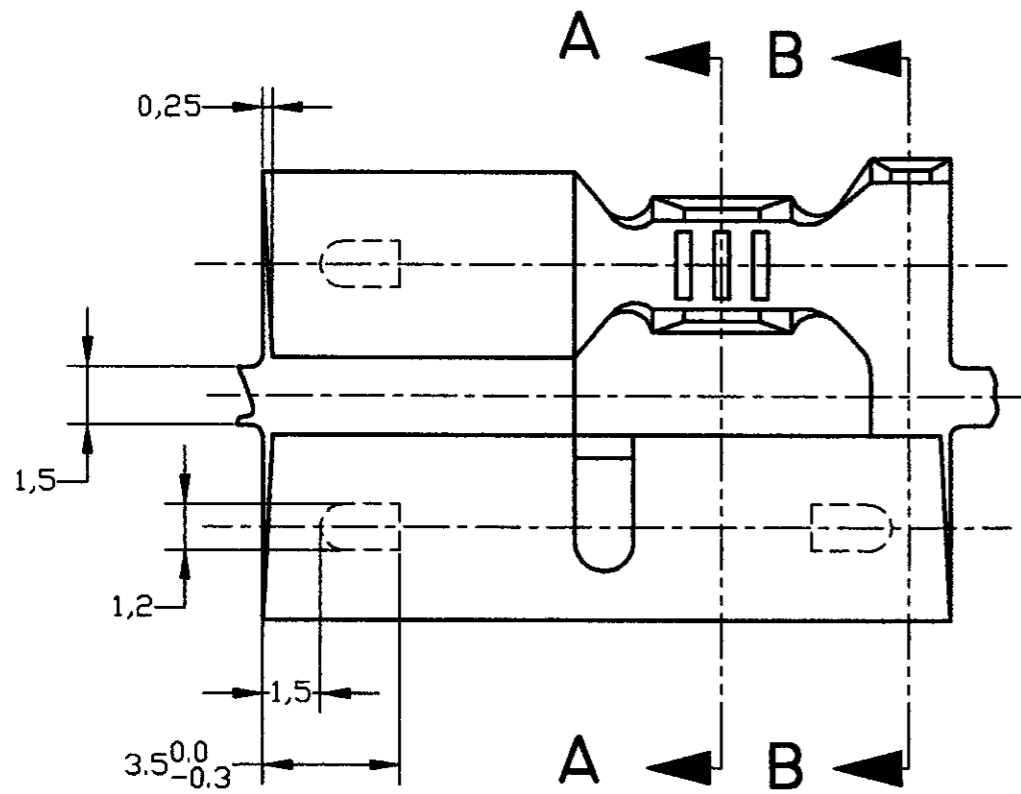


THIS DRAWING IS UNPUBLISHED. RELEASED FOR PUBLICATION .19  
 © COPYRIGHT 19 BY AMP INCORPORATED. ALL RIGHTS RESERVED.

CAD  
 DO NOT REVISE  
 EXCEPT BY CAD

LOC AP DIST -

REVISIONS				DATE DATA	DWN DES	APVD APR
REV	DESCRIPTION					
D	REDRAW WO CHANGE BY EC498/99		07-08-99	MRB	PLB	



- 1 -FORÇA DE INSERÇÃO - 6 Kg MAX.  
-INSERTION FORCE
- 2 -FORÇA DE EXTRAÇÃO - 1,5 ~ 7,0 Kg.  
-EXTRACTION FORCE

	LATAO / BRASS	880142 - 1
FINISH	MATERIAL	PART NUMBER

THIS DRAWING IS A CONTROLLED DOCUMENT.		DWN/DES M.R.Briz 23NOV99	AMP do BRASIL Ltda. São Paulo - Brasil	
DIMENSIONS: DIMENSÕES MM	TOLERANCES UNLESS OTHERWISE SPECIFIED: TOLERANCIA NÃO ESPECIFICADAS	CHK/CH P.L.Faria	NAME DESIGNO SHUR PLUG, 3 POSITION, RECEPTACLE	
	0 PLC/DEC ± - 1 PLC/DEC ± 0,5 2 PLC/DEC ± - 3 PLC/DEC ± - 4 PLC/DEC ± - ANGLES/ANGULARES ± 1°	APVD/APR F.Alexandroni	SIZE A3	CAGE CODE 00779
WIRE RANGE 20 - 14 AWG	INS. DIA RANGE 2,0 - 3,3 mm	FINISH ACABAMENTO SEE TABLE	DRAWING NO DESENHO NO 880142	RESTRICTED TO
MATERIAL SEE TABLE		WEIGHT -	CUSTOMER DRAWING/DESENHO DE CLIENTE	SCALE ESCALA -
			SHEET FOLHA 1	OF DE 1
			REV -	

ORIGINAL  
 QUANDO EM BOM ESTADO