

TMC 8 B TERM PIN - Terminal adapter



2907998

<https://www.phoenixcontact.com/us/products/2907998>

Please be informed that the data shown in this PDF document is generated from our online catalog. Please find the complete data in the user documentation. Our general terms of use for downloads are valid.

Feeder terminal adapter for TMC 8..... circuit breaker bus bars. Rated for 1000 V AC/DC, 115 A. Wire range 14...2 AWG. UL Listed for connection to UL 489 rated circuit breakers.



Product description

Feed-in terminal adapter for TMC 8 bus bars

Commercial data

Item number	2907998
Packing unit	1 pc
Note	Made to order (non-returnable)
Sales key	CL08
Product key	CLA125
GTIN	4055626352985
Weight per piece (including packing)	37.75 g
Weight per piece (excluding packing)	222.222 g
Customs tariff number	85362010
Country of origin	DE

TMC 8 B TERM PIN - Terminal adapter



2907998

<https://www.phoenixcontact.com/us/products/2907998>

Technical data

Product properties

Type	Adapter
------	---------

Electrical properties

Rated voltage (III/3)	1000 V AC/DC
-----------------------	--------------

Dimensions

Dimensional drawing	
Width	16.2 mm
Height	31.1 mm
Depth	85 mm

Material specifications

Color	light grey (RAL 7035)
-------	-----------------------

TMC 8 B TERM PIN - Terminal adapter

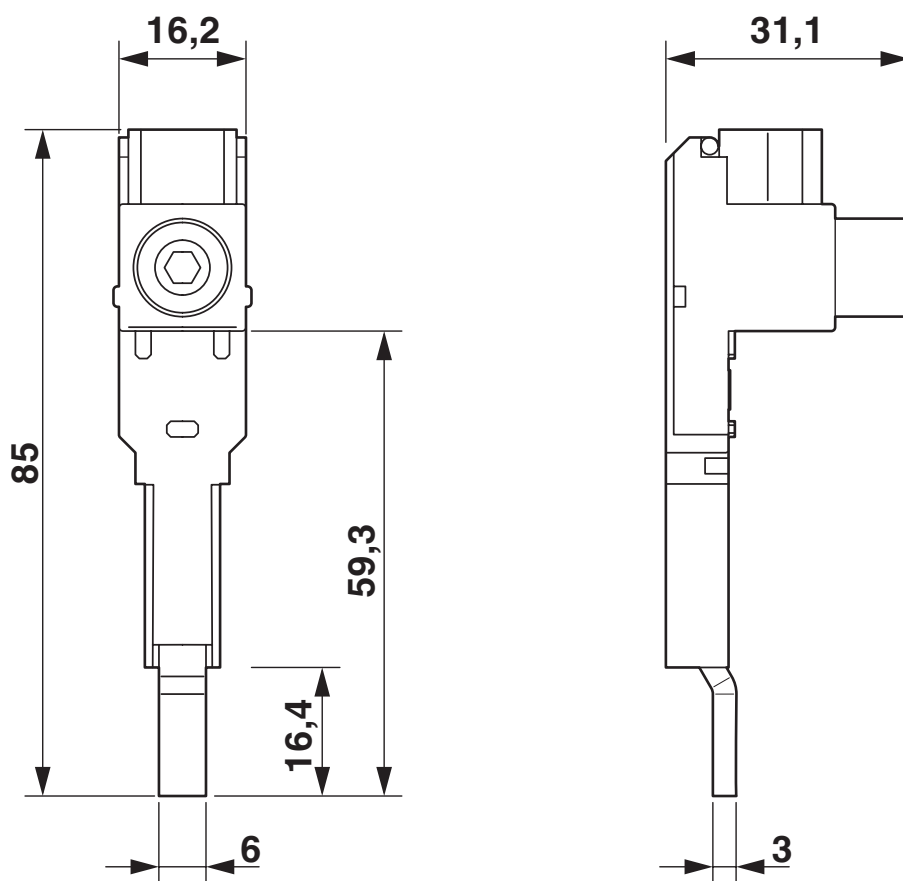
2907998

<https://www.phoenixcontact.com/us/products/2907998>



Drawings

Dimensional drawing



TMC 8 B TERM PIN - Terminal adapter



2907998

<https://www.phoenixcontact.com/us/products/2907998>

Approvals

To download certificates, visit the product detail page: <https://www.phoenixcontact.com/us/products/2907998>



UL Listed

Approval ID: FILE E 123528



cUL Listed

Approval ID: FILE E 123528

cULus Listed

TMC 8 B TERM PIN - Terminal adapter



2907998

<https://www.phoenixcontact.com/us/products/2907998>

Classifications

ECLASS

ECLASS-11.0	27144037
ECLASS-12.0	27144037
ECLASS-13.0	27144037

ETIM

ETIM 9.0	EC001513
----------	----------

TMC 8 B TERM PIN - Terminal adapter



2907998

<https://www.phoenixcontact.com/us/products/2907998>

Environmental product compliance

EU RoHS

Fulfills EU RoHS substance requirements	Yes, No exemptions
---	--------------------

China RoHS

Environment friendly use period (EFUP)	EFUP-E
	No hazardous substances above the limits

EU REACH SVHC

REACH candidate substance (CAS No.)	No substance above 0.1 wt%
-------------------------------------	----------------------------

Phoenix Contact 2024 © - all rights reserved
<https://www.phoenixcontact.com>

Phoenix Contact USA
586 Fulling Mill Road
Middletown, PA 17057, United States
(+717) 944-1300
info@phoenixcon.com