

SP6CA3 – 1700V SP6LI Core Adapter Board

Designed for use with the 2ASC-17A1HP SiC Driver Core

Overview

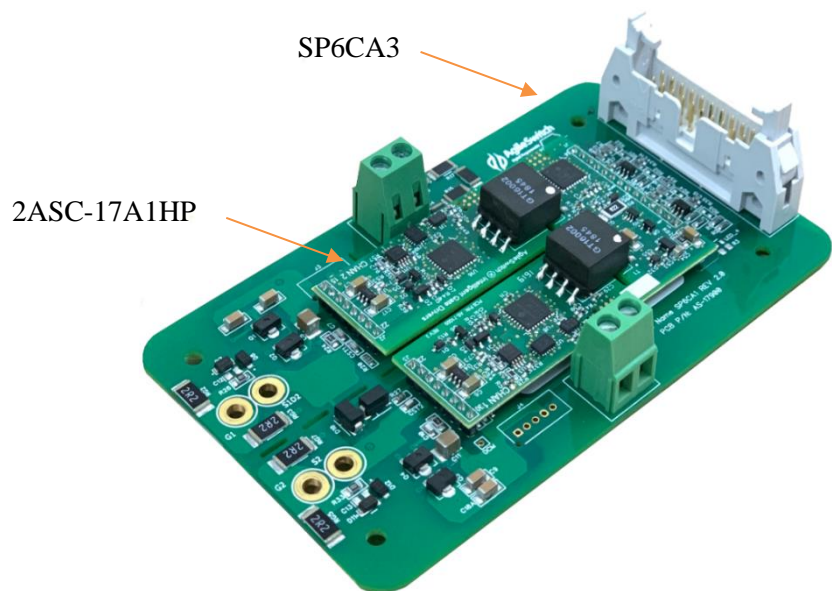
The AgileSwitch SP6CA3 – 1700V SP6LI Core Adapter Board is an evaluation tool designed to work with the 2ASC-17A1HP SiC Driver Core. The combination can be used with the Microchip SP6LI SiC Power Modules.

Key Adapter Board Features

- UL Compliant - 1700V SiC MOSFET Modules
- Dual-Channel
- Robust High-Noise-Immunity Design
- Plug & Play for SP6LI SiC Modules from Microchip

Applications

- Evaluation Tool



Required Accessory*

Part Number: **2ASC-17A1HP** (Gate Diver Core)

*Not Included

Evaluation Tools*

ASDAK- AgileSwitch SiC Accelerated Development Kits provide the tools required to rapidly optimize the performance of SiC modules and systems. Each kit includes 2ASC Series Cores, ASBK-014, Module Adapter Boards, and optional Microchip SiC Modules.

Contents

System Overview	3
Absolute Maximum Ratings	3
Electrical Characteristics.....	4
Interconnects	5
Mounting of Core Assembly on Adapter Board	6
Recommended Interface Circuitry	6
Schematic	8
Layout	10
Part Numbers & Configuration Details.....	12
Design Files.....	12
Important Precautions	12
Mechanical Dimensions	13
Revisions	13
Legal Disclaimer	14
Patent Notices.....	14
Address.....	14

System Overview

The basic topology of the driver core is shown in Figure 1.

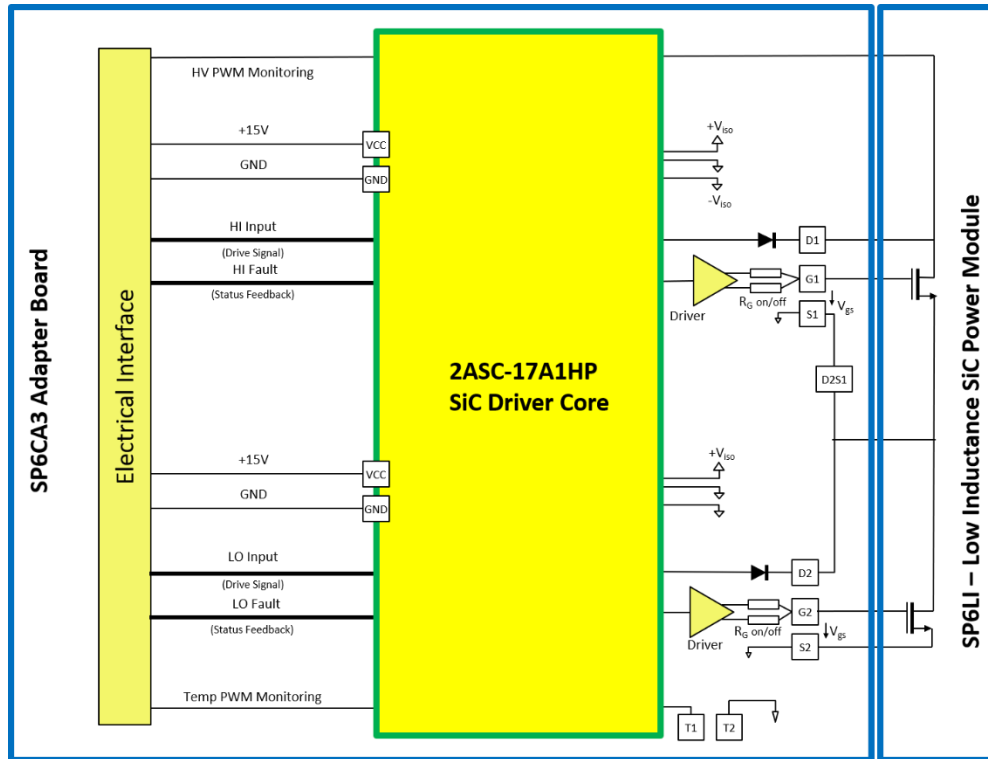


Figure 1 SP6CA3 Adapter Board Basic Topology

Absolute Maximum Ratings

Interaction of maximum ratings is dependent on operating conditions

Parameter	Description	Min	Max	Unit
Supply Voltage	VCC to GND	0	16.5	V
Peak Gate Current	Note 1	-20	20	A
Input Logic Levels	To GND	-0.5	15	V
Switching Frequency	Note 2		100	kHz
Working Voltage	Primary to Secondary, Secondary to Secondary		1700	V
Creepage Distance	Primary to Secondary Side	12		mm
dV/dt	Rate of change input to output	100		kV/ μ s
Operating Temperature	Ambient Operating Temperature	-40	+85	$^{\circ}$ C
Storage Temperature		-40	+90	$^{\circ}$ C

Electrical Characteristics

Conditions: $V_{SUP} = +15.0\text{ V}$, $V_{IN_LOGIC} = 5\text{ V}$, MOSFET ($C_{iss} = 36.24\text{ nF}$; $Q_g = 2784\text{ nC}$)

Power Supply	Description	Min	Typ	Max	Unit
Supply Voltage	VCC to GND	14	15	16	V
Supply Current	Without Load		86		mA
Supply Current	With Load, Note 3		366		mA
Signal I/O	Description	Min	Typ	Max	Unit
Input Impedance	5V - Hi and Lo side input		100		Ω
	15V – Hi & Lo side input		2000		Ω
	5V Differential – Hi & Lo side input		240		Ω
V_{IN} Low	5V - Turn-off threshold			1.25	V
	15V – Turn-off threshold			4	V
V_{IN} High	5V – Turn-on threshold	3.5			V
	15V – Turn-on threshold	10			V
V_{IN} (differential option)	Difference between V_{IN+} to V_{IN-}	2			V
Fault Output Voltage	Fault lines are open collect with 5mA load	0.3		24	V
Fault Output Current	Note 4			10	mA
Switching Frequency	Note 2			100	kHz

Note 1: Input signal should not be activated until 20 ms after power is applied to allow on board DC-DC converter to stabilize.

Note 2: Actual maximum switching speed is a function of gate capacitance.

Note 3: SiC MOSFET dependant, conditions listed above assume a MOSFET with $C_{iss} = 36.24$ & $Q_g = 2584\text{ nC}$ operating at 50kHz

Note 4: Fault lines are open collector and require a pull-up resistor, 2K Ω recommended

Interconnects

Controller/Power to SP6CA3 Connectors

Connector	Type	Ref	Manufacturer Part Number
Driver Board	20 Pin	J1	FCI 71918-220LF
Cable Assembly	20 Pin		FCI 71600-120LF

Recommended Cable for High Noise Environments: Flat Ribbon Cable, Twisted Pair, Shielded ([3M 1785/20 Series](#))

Main to Secondary Driver Connectors (Optional – Standard is DNP)

Connector	Type	Ref	Manufacturer Part Number
Driver Board	5 Pin	J3	JST B05B-PASK-1
Cable Assembly	5 Pin		JST PAP-05V-S
Driver Board	4 Pin	J4	JST B04B-PASK-1
Cable Assembly	4 Pin		JST PAP-04V-S

Thermistor Connector (Optional – Standard is DNP)

Connector	Type	Ref	Manufacturer Part Number
Driver Board	2pos terminal block	NTC	Phoenix 1729018

Standard part is a vertical 2 pin header. Right-angle 2 pin header available upon request (P/N: JST S02B-PASK-2)

MOSFET Terminals

Ref ID	Type	Manufacturer Part Number
G1, G2, S2, S1D2	16mm Aluminum Male-Female Threaded Hex Standoff	Stand-off - McMaster-Carr 98952A109 Washer – McMaster Carr 92153A411 Screw – McMaster Carr 92005A061
D1*	2pos terminal block	Phoenix 1729018

*D1 Terminal on gate driver must be connected to the D1 terminal on the SiC MOSFET module.

2ASC-17A1HP Connection Sockets

Connector	Type	Ref	Manufacturer Part Number
Input	14 Pin	C-J1	NPPN141BFCN-RC or similar
Ch 1, Ch 2	8 Pin	C-J2, C-J3	NPPN081BFCN-RC or similar

Note: The 2ASC-17A1HP can be mounted to the adapter board using sockets or by soldering.

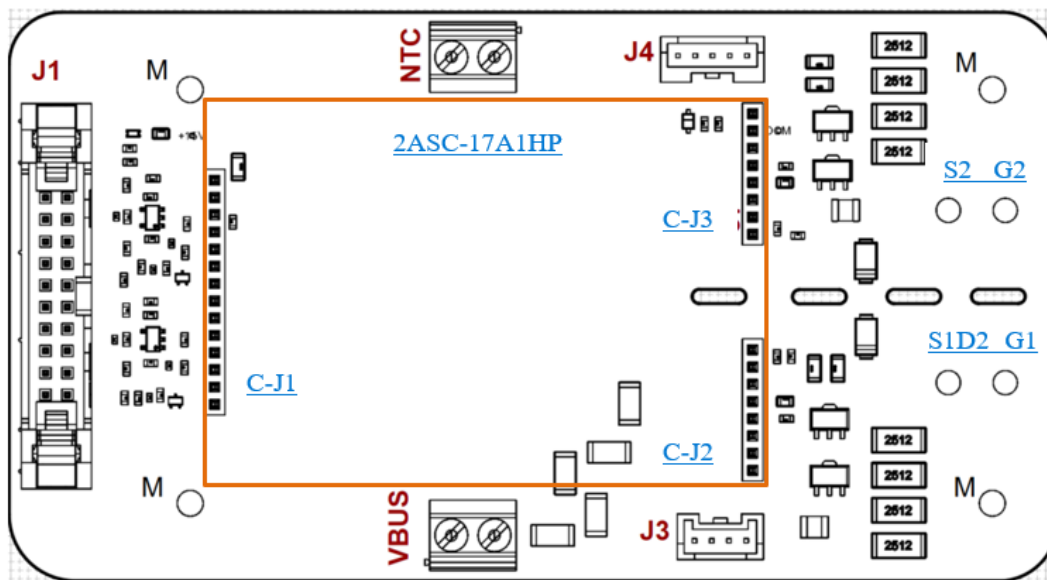


Figure 2 SP6CA3 Interconnects on Adapter Board

Mounting of Core Assembly on Adapter Board

Method 1 – Soldering

2ASC-17A1HP can be directly soldered onto an Adapter Board without the need for additional support.

Method 2 – Socket

2ASC-17A1HP can be plugged into female sockets on an Adapter Board.

Recommended Interface Circuitry

Primary

Block Diagram

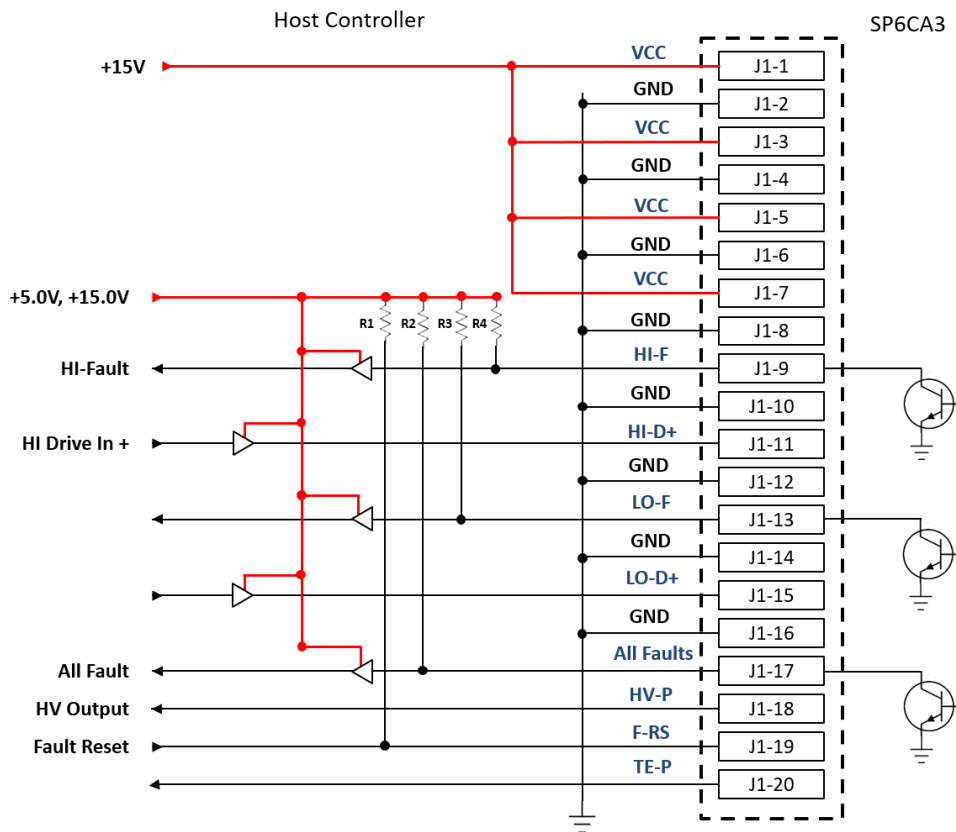


Figure 3 SP6CA3 Recommended Interface Circuitry

Temperature and High Voltage PWM Monitoring

The AgileSwitch 2ASC-17A1HP Driver provides two 31.5 kHz, 5.0V PWM output signals that monitor the thermistor temperature (isolated or non-isolated) and the DC Link Voltage (High Side drain to Low Side source) of the SiC MOSFET power module. The PWM signals have an output impedance of 510Ω. When combined with an external low pass filter, these signals represent a real time voltage for both High Voltage and Thermistor Temperature. A Sallen-Key active low pass filter can be used with these outputs as shown below with a 2 kHz cut-off frequency. The cut-off frequency can be optimized for your application. For simplicity, a simple RC low pass filter with 100 Hz cut-off frequency can also be used.

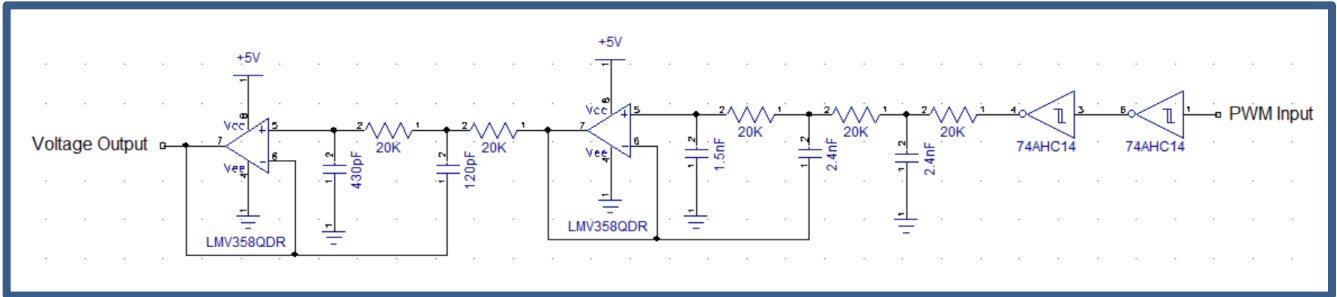
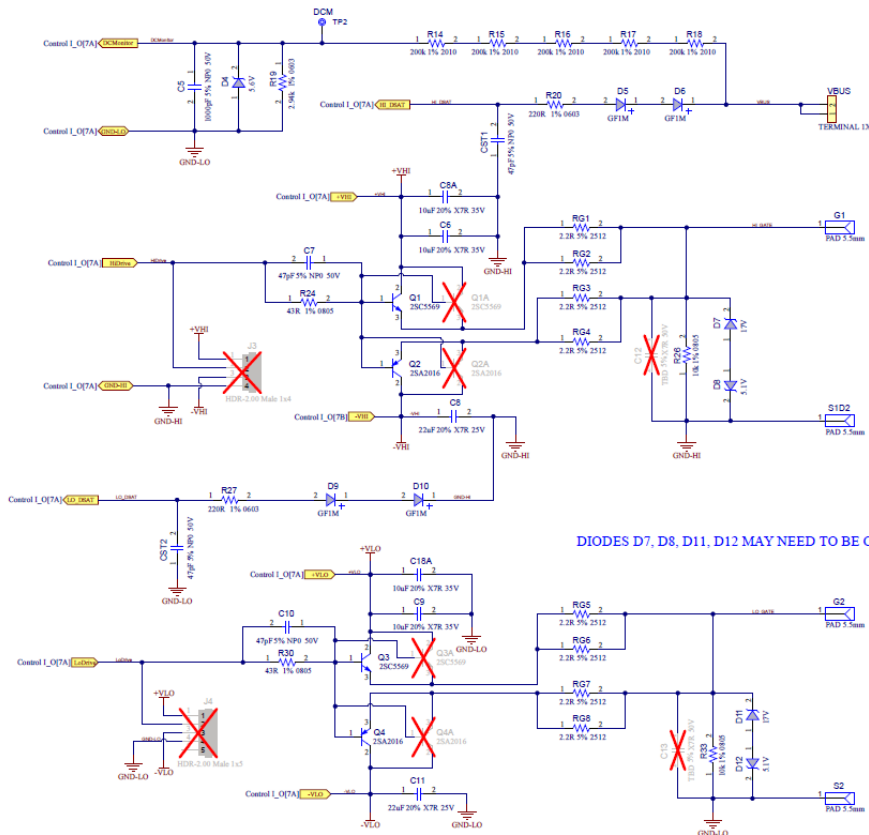


Figure 4 Example of a Low Pass Filter for DC Link PWM output

HI & LO Side Drivers – Sheet 2 of 2

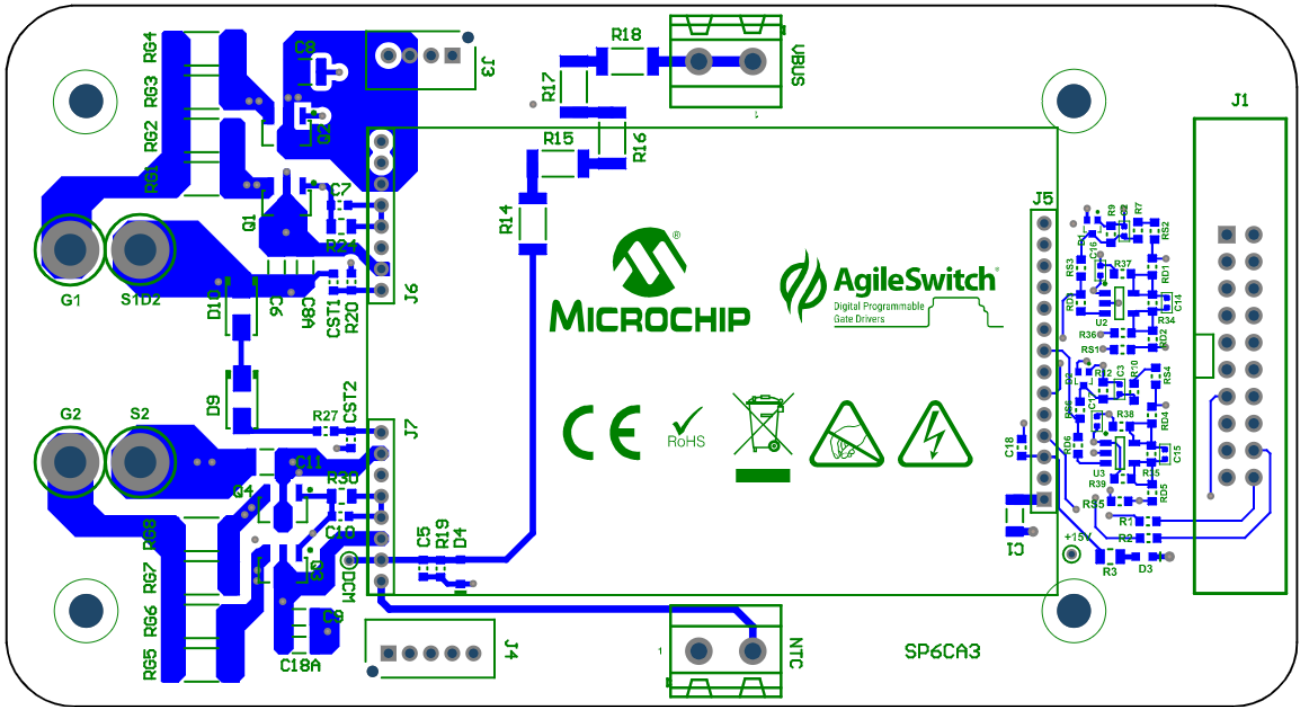


DIODES D7, D8, D11, D12 MAY NEED TO BE CHANGED FOR DIFFERENT MODULES

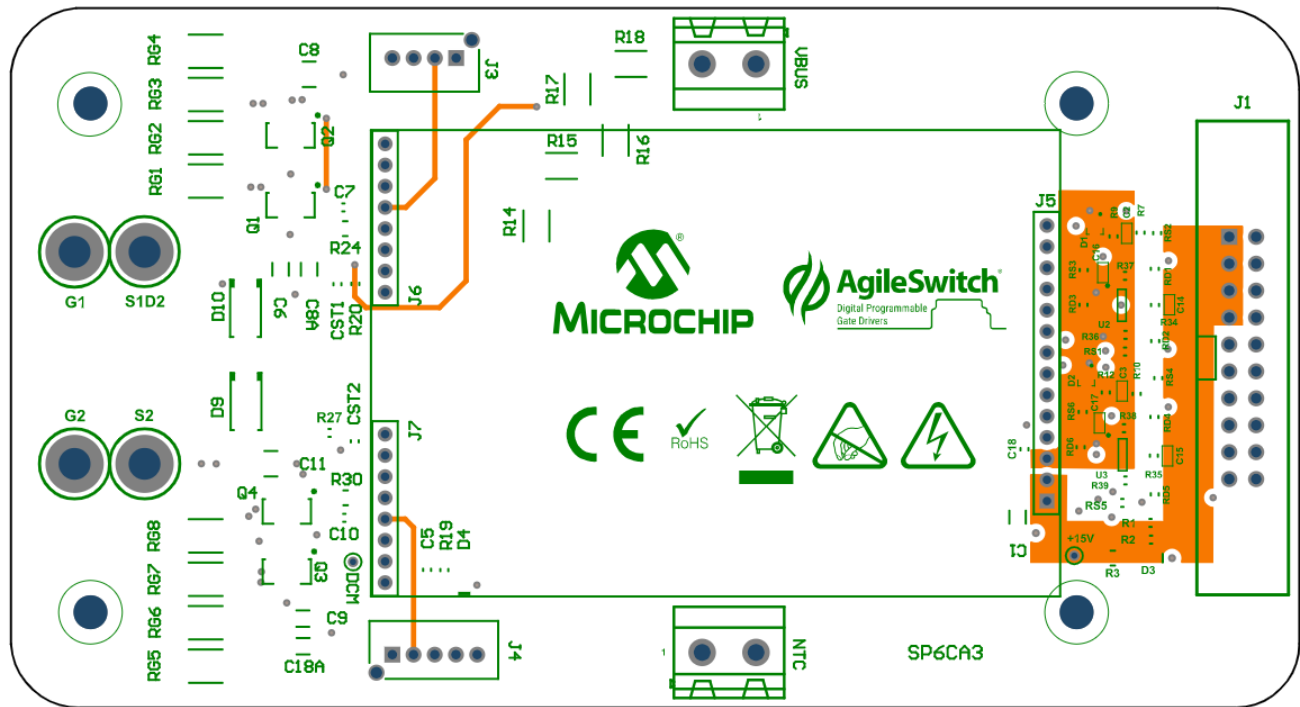
Drawn By: Vipin G	Project Title: SP6CA3
Equipment: Nibella S / Vipin G	Version: SP6CA3.0
Sheet Title: SP6 1700V SiC Module Adapter Board	
Title: HI & LO Side	
Size: A3	Date: 14-Feb-20
File: 102_01 & LO side.tst	Sheet: 2 of 2

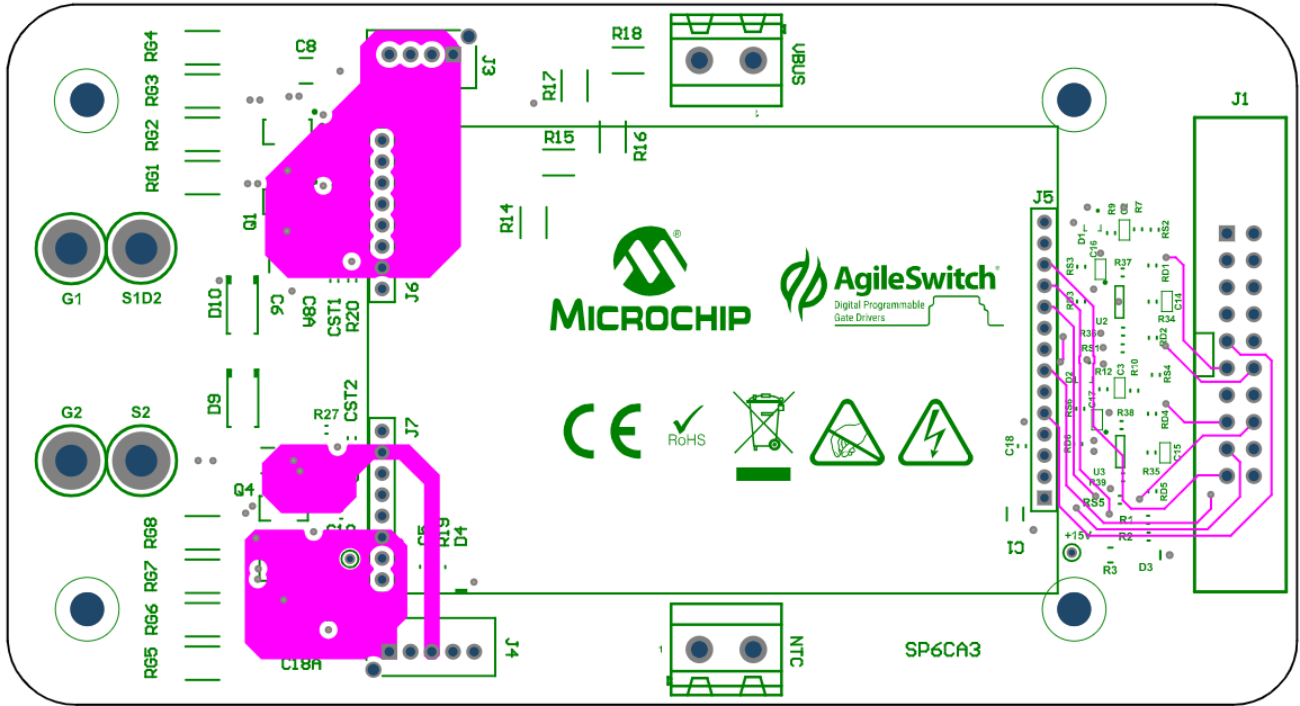
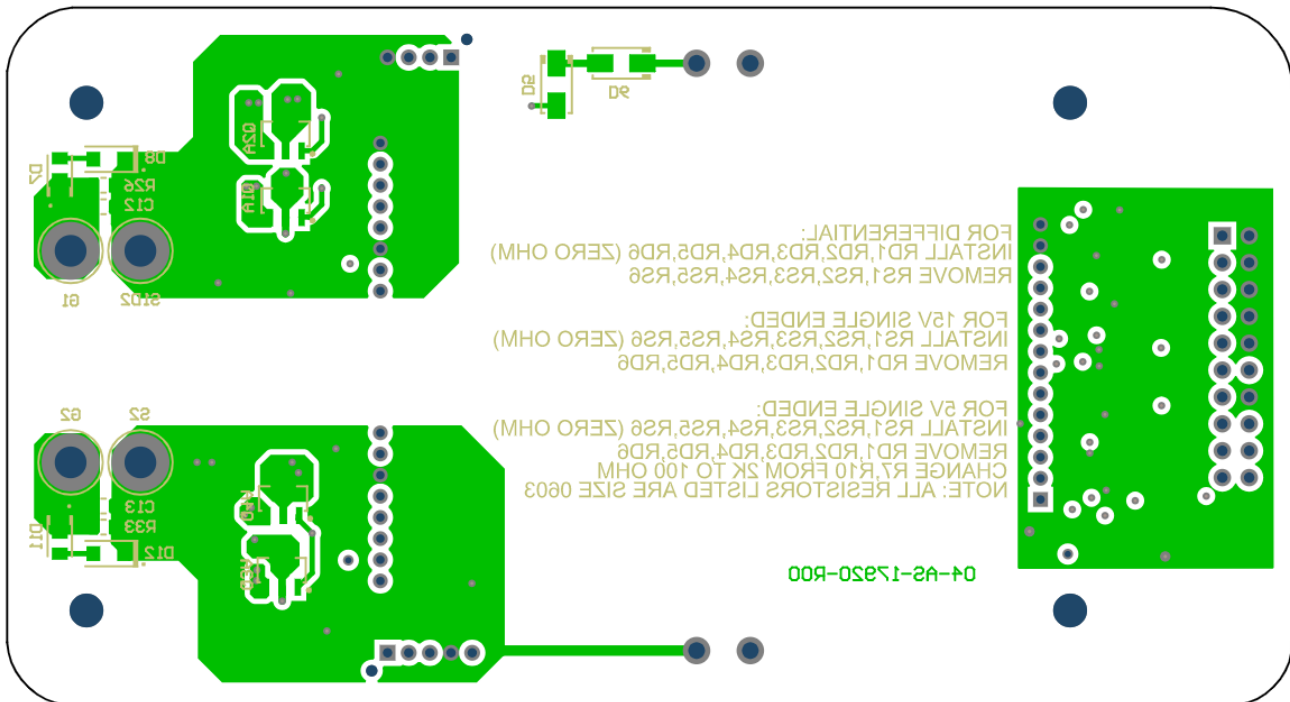
Layout

Layer 1 - Top



Layer 2 - Inner 1



Layer 3 – Inner 2

Layer 4 – Bottom_GND


Part Numbers & Configuration Details

Hardware Settings	Symbol	Part Number
Rgon (Turn-on Gate Resistance)	R _{GON}	1.1 Ω
Rgoff (Turn-off Gate Resistance)	R _{GOFF}	1.1 Ω
Input Triggers	V _{IN_LOGIC}	15V
Trigger Type	-	Single ended

Design Files

The Schematic, Layout and Bill of Materials for the SP6CA3 are publicly available for download.

Please visit Microchip.com for access to these files.

Important Precautions

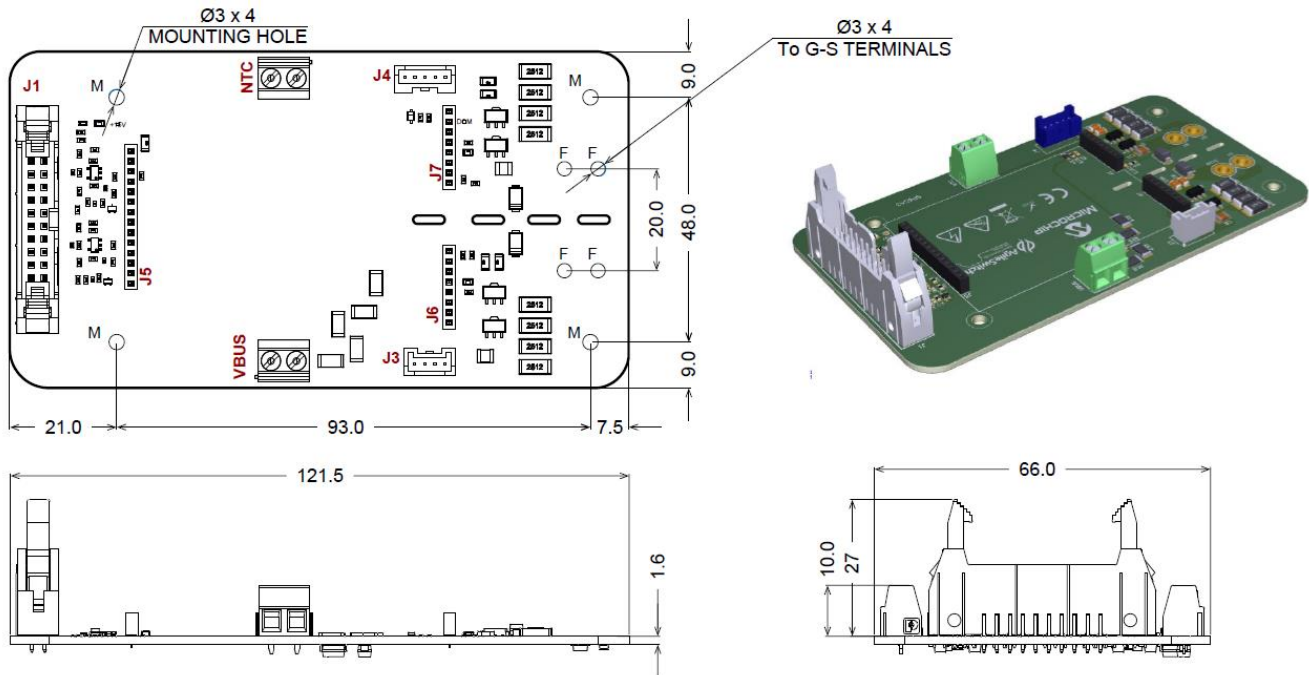


Caution: Handling devices with high voltages involves risk to life. It is imperative to comply with all respective precautions and safety regulations.

When installing the core and adapter board, please make sure that power is turned off. Hot swapping may cause damage to the IC components on the board.

AgileSwitch assumes that the core and adapter board have been mounted on the SiC MOSFET prior to start-up testing. It is recommended that the user checks that the SiC MOSFET power modules are operating inside the Specified Operating Area (SOA) as specified by the module manufacturer including short circuit testing under very low load conditions.

Mechanical Dimensions



Dimensions are in mm.

Revisions

Prepared By	Approved By	Version	Date	Description
N. Satheesh A. Fender		1	10/27/2020	Preliminary Release

Legal Disclaimer

Information contained in this publication regarding device applications and the like is provided only for your convenience and may be superseded by updates. It is your responsibility to ensure that your application meets with your specifications. MICROCHIP MAKES NO REPRESENTATIONS OR WARRANTIES OF ANY KIND WHETHER EXPRESS OR IMPLIED, WRITTEN OR ORAL, STATUTORY OR OTHERWISE, RELATED TO THE INFORMATION, INCLUDING BUT NOT LIMITED TO ITS CONDITION, QUALITY, PERFORMANCE, MERCHANTABILITY OR FITNESS FOR PURPOSE.

Microchip disclaims all liability arising from this information and its use. Use of Microchip devices in life support and/or safety applications is entirely at the buyer's risk, and the buyer agrees to defend, indemnify and hold harmless Microchip from any and all damages, claims, suits, or expenses resulting from such use. No licenses are conveyed, implicitly or otherwise, under any Microchip intellectual property rights unless otherwise stated.

All Microchip products are sold pursuant to Microchip's [terms and conditions of sale](#).

The Microchip name and logo, the Microchip logo, and AgileSwitch are registered trademarks of Microchip Technology Incorporated in the U.S.A. and other countries.

© 2020 Microchip Technology Incorporated. All Rights Reserved www.microchip.com. Any other names are the property of their respective owners.

Information in this document supersedes and replaces all information previously supplied.

Specifications are subject to change without notice.

Patent Notices

Offering	Issued U.S. Patent Numbers
AgileStack™ Power stack control systems	8,984,197
Gate drive control system for SiC and IGBT power devices	9,490,798
Additional Patents Pending	

Address

Microchip Technology Inc
2355 West Chandler Blvd.
Chandler, Arizona, USA 85224-6199
(480) 792-7200