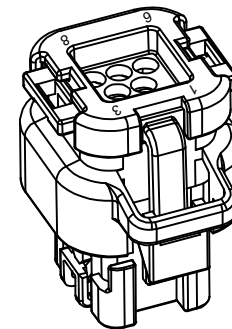
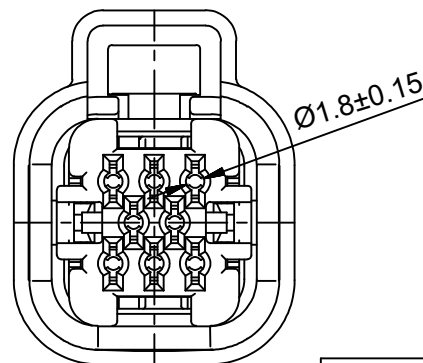
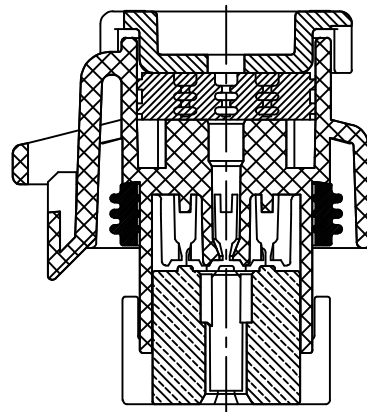
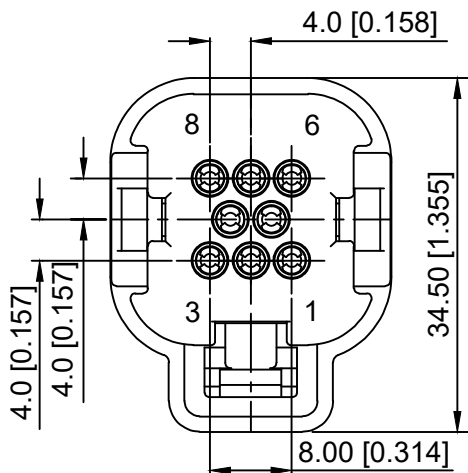


Temperature range: -40°C +125°C
 温度范围: -40°C +125°C

K 776280 H - XX - PT X
 ① ② ③ ④ ⑤ ⑥

- 1.K: XKBTEK-Car Connector
- 2.XKB Series No
- 3.Category:H-Housing
- 4.Row No.Pin No:XX-08 Pin
- 5.Material:PT-PBT
- 6.Color:X:B-Black ; W-White ; GY-Gray ; BL-Blue



K776280H-XX-PTX	PBT	K776280W	K776280T
PART NO	Material	Suitable XKB Wafer	Suitable XKB Terminal

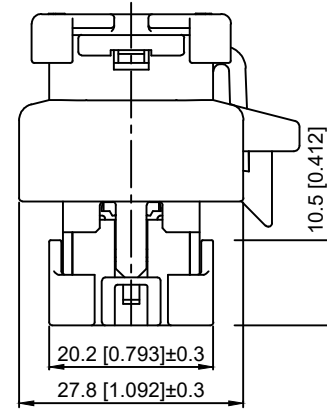
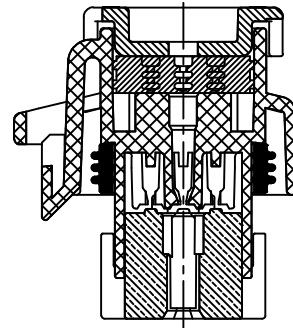
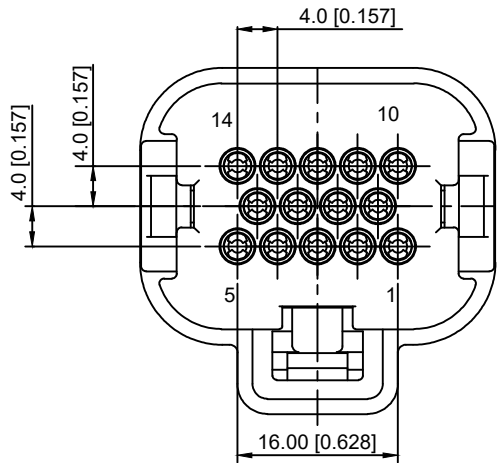
DSND	SCALE: N/A	MODEL TYPE: 4.0mm Automobile connector
DWN	VIEW:	PART NO.: K776280H-XX-PTX
CHKD	UNIT: mm/in	DWG NO.: X-K776280H-XX-PTX
APPD	SIZE: A4	WEIGHT SHEET REVISION



XKB INDUSTRIAL PRECISION CO., LIMITED

ANGLAR	±5°
L ≤ 4	±0.2
4 < L ≤ 16	±0.3
16 < L ≤ 63	±0.4
L > 63	±0.5

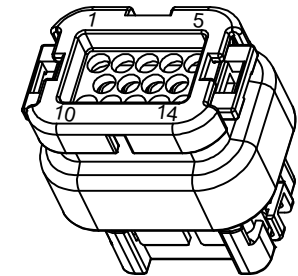
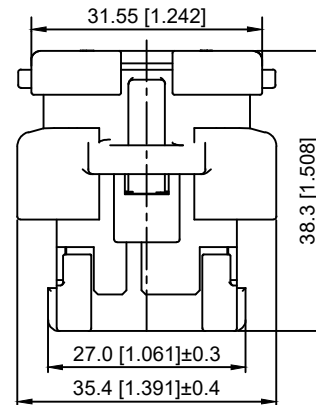
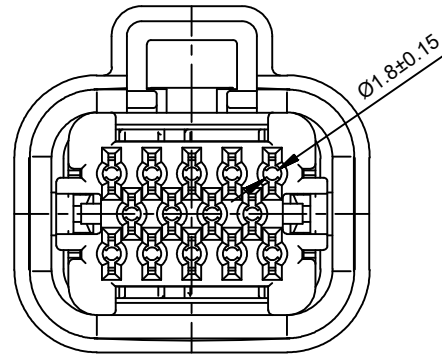
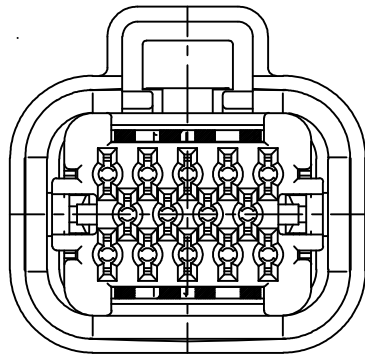
UNSPECIFIED TOLERANCES



Temperature range: -40°C - +125°C
 温度范围: -40°C - +125°C

K 776280 H - XX - PT X
 ① ② ③ ④ ⑤ ⑥

- 1.K: XKBTEK-Car Connector
- 2.XKB Series No
- 3.Category:H-Housing
- 4.Row No.Pin No:XX-14 Pin
- 5.Material:PT-PBT
- 6.Color:X:B-Black ; W-White ; GY-Gray ; BL-Blue



K776280H-XX-PTX	PBT	K776280W	K776280T
PART NO	Material	Suitable XKB Wafer	Suitable XKB Terminal

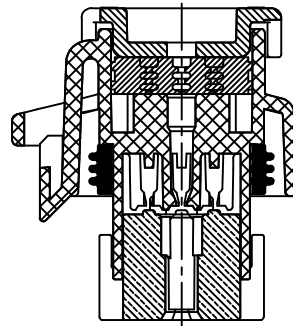
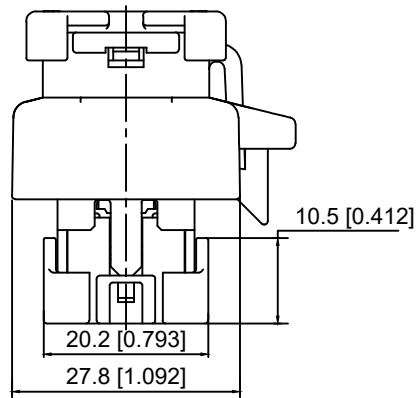
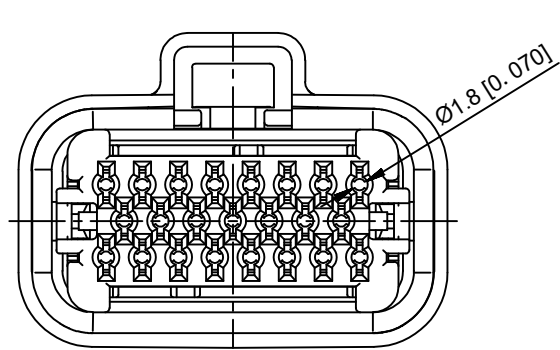
DSND	SCALE: N/A	MODEL TYPE: 4.0mm Automobile connector
DWN	VIEW:	PART NO.: K776280H-XX-PTX
CHKD	UNIT: mm/in	DWG NO.: X-K776280H-XX-PTX
APPD	SIZE: A4	WEIGHT SHEET REVISION



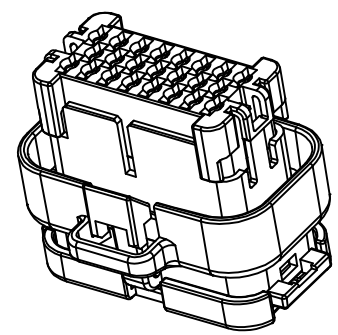
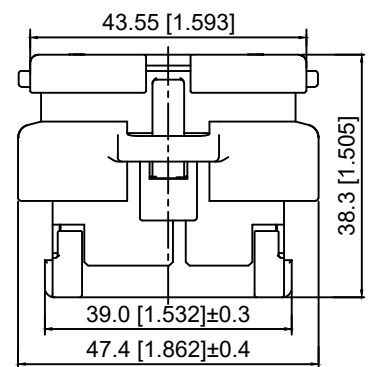
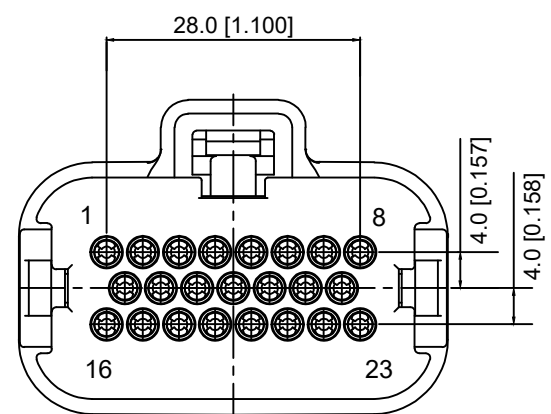
XKB INDUSTRIAL PRECISION CO.,LIMITED

WEIGHT	SHEET	REVISION
	1/1	A0

MARK	DESCRIPTION	DATE	REVISED	APPROVED	UNSPECIFIED TOLERANCES
					ANGLAR ±5°
ΔX					L ≤ 4 ±0.2
ΔX					4 < L ≤ 16 ±0.3
ΔX					16 < L ≤ 63 ±0.4
MARK					L > 63 ±0.5



Temperature range: -40°C +125°C
 温度范围: -40°C +125°C



K 776280 H - XX - PT X
 ① ② ③ ④ ⑤ ⑥

- 1.K: XKBTEK-Car Connector
- 2.XKB Series No
- 3.Category:H-Housing
- 4.Row No.Pin No:XX-23 Pin
- 5.Material:PT-PBT
- 6.Color:X:B-Black ; W-White ; GY-Gray ; BL-Blue

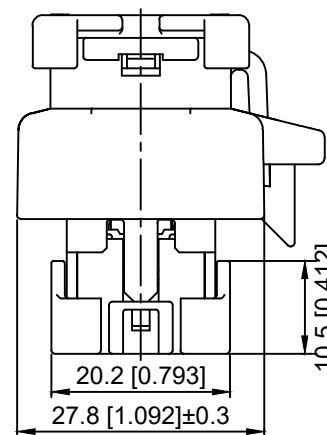
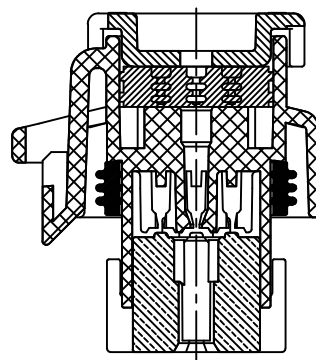
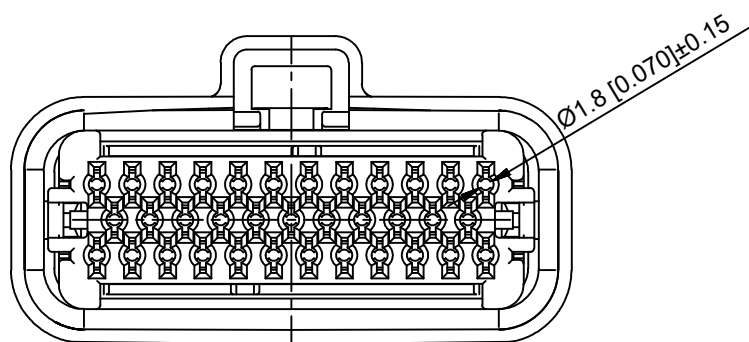
K776280H-XX-PTX	PBT	K776280W	K776280T
PART NO	Material	Suitable XKB Wafer	Suitable XKB Terminal

					ANGLAR	±5°
ΔX					L ≤ 4	±0.2
ΔX					4 < L ≤ 16	±0.3
ΔX					16 < L ≤ 63	±0.4
MARK	DESCRIPTION	DATE	REVISED	APPROVED	L > 63	±0.5
REVISIONS					UNSPECIFIED TOLERANCES	



DSND		SCALE: N/A	MODEL TYPE:
DWN		VIEW:	4.0mm Automobile connector
CHKD		UNIT: mm/in	PART NO.:
APPD		SIZE: A4	K776280H-XX-PTX
			DWG NO.:
			X-K776280H-XX-PTX
		WEIGHT	SHEET
			REVISION
		1/1	A0

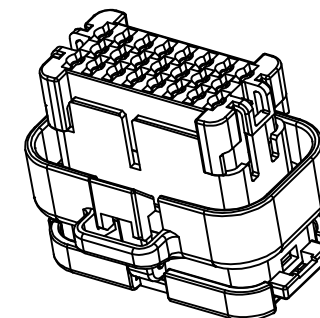
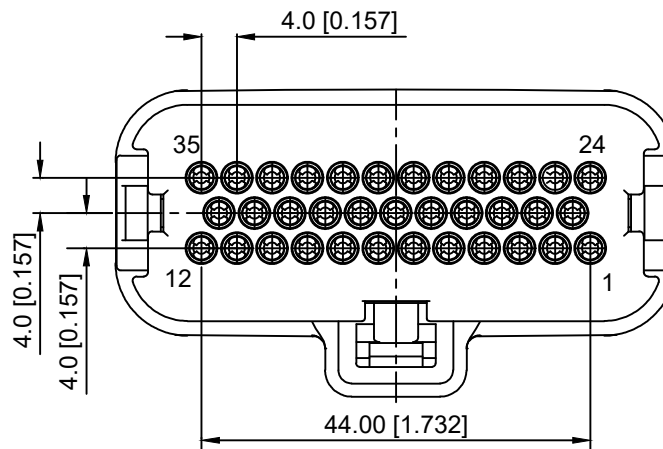
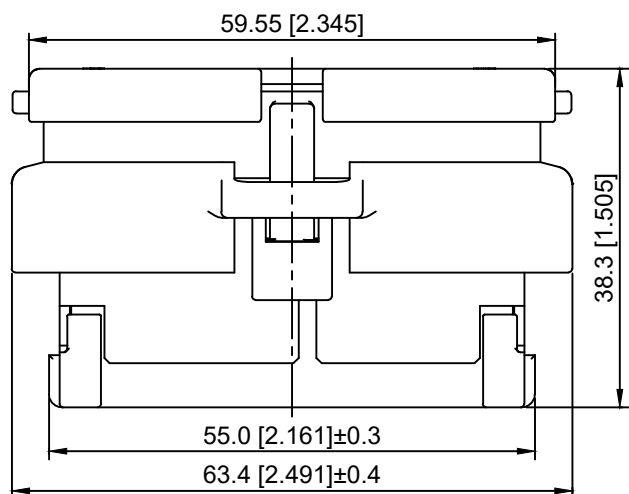
XKB INDUSTRIAL PRECISION CO., LIMITED



Temperature range:-40°C-+125°C
 温度范围: -40°C-+125°C

K 776280 H - XX - PT X
 ① ② ③ ④ ⑤ ⑥

- 1.K: XKBTEK-Car Connector
- 2.XKB Series No
- 3.Category:H-Housing
- 4.Row No.Pin No:XX-35 Pin
- 5.Material:PT-PBT
- 6.Color:X:B-Black ; W-White ;
GY-Gray ; BL-Blue



K776280H-XX-PTX	PBT	K776280W	K776280T
PART NO	Material	Suitable XKB Wafer	Suitable XKB Terminal

DSND	SCALE: N/A	MODEL TYPE: 4.0mm Automobile connector		
DWN	VIEW:	PART NO.: K776280H-XX-PTX		
CHKD	UNIT: mm/in	DWG NO.: X-K776280H-XX-PTX		
APPD	SIZE: A4	WEIGHT	SHEET	REVISION
			1/1	A0



XKB INDUSTRIAL PRECISION CO.,LIMITED

					ANGULAR	±5°
ΔX					L ≤ 4	±0.2
ΔX					4 < L ≤ 16	±0.3
ΔX					16 < L ≤ 63	±0.4
MARK					L > 63	±0.5
REVISIONS					UNSPECIFIED TOLERANCES	
www.helloxkb.com www.helloxkb.cn www.xk-dg.cn						