

MATERIAL NUMBER		CKT SIZE	DESCRIPTION	POL	COLOR
TRAY PACKAGING PK-31300-892	TUBE PACKAGING PK-31301-063				
34691-0200	34691-9200	20	STAC64 RIGHT ANGLE HEADER ASSEMBLY	A	BLACK
34691-0201	34691-9201	20	STAC64 RIGHT ANGLE HEADER ASSEMBLY	B	GREY
34691-0202	34691-9202	20	STAC64 RIGHT ANGLE HEADER ASSEMBLY	C	BROWN
34691-0203	34691-9203	20	STAC64 RIGHT ANGLE HEADER ASSEMBLY	D	GREEN
34691-0160	34691-9160	16	STAC64 RIGHT ANGLE HEADER ASSEMBLY	A	BLACK
34691-0161	34691-9161	16	STAC64 RIGHT ANGLE HEADER ASSEMBLY	B	GREY
34691-0162	34691-9162	16	STAC64 RIGHT ANGLE HEADER ASSEMBLY	C	BROWN
34691-0120	34691-9120	12	STAC64 RIGHT ANGLE HEADER ASSEMBLY	A	BLACK
34691-0121	34691-9121	12	STAC64 RIGHT ANGLE HEADER ASSEMBLY	B	GREY
34691-0122	34691-9122	12	STAC64 RIGHT ANGLE HEADER ASSEMBLY	C	BROWN
34691-0080	34691-9080	8	STAC64 RIGHT ANGLE HEADER ASSEMBLY	A	BLACK
34691-0081	34691-9081	8	STAC64 RIGHT ANGLE HEADER ASSEMBLY	B	GREY
34691-0082	34691-9082	8	STAC64 RIGHT ANGLE HEADER ASSEMBLY	C	BROWN

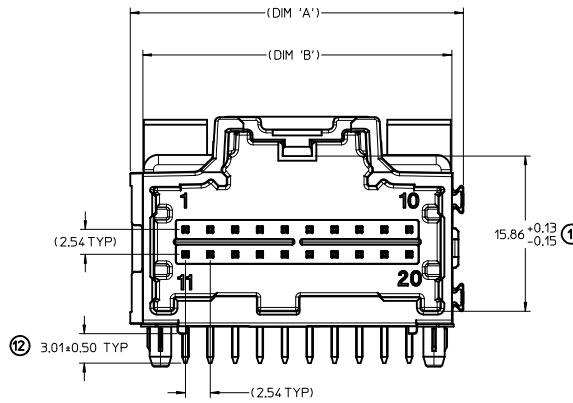
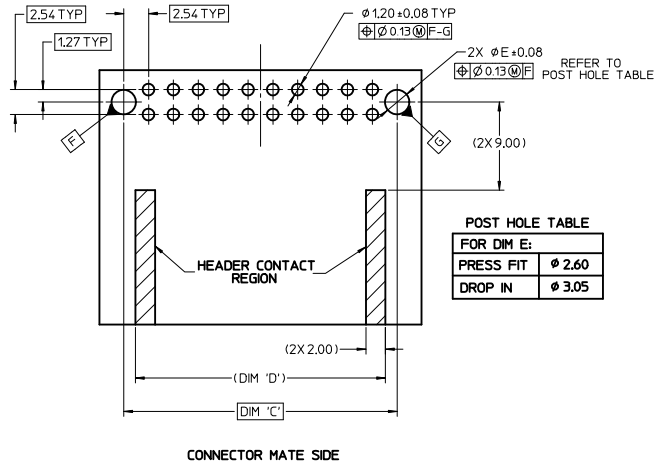
NOTES: VALID UNLESS OTHERWISE SPECIFIED

1. GENERAL:
- a. CONNECTOR HEADER MUST BE VALIDATED TO THE FOLLOWING FUNCTIONAL REQUIREMENTS:
 - POLARIZATION FEATURE EFFECTIVENESS - SEE PRODUCT SPECIFICATION
 - PIN RETENTION - USCAR-2 REV 4
 - SOLDERABILITY - SMES-152
 - b. APPLICATION REQUIREMENTS (REFERENCE ONLY) FOR:
 - SEE APPLICATION SPECIFICATION - AS-34729-020
 - SEE PRODUCT SPECIFICATION - PS-34729-020
 - c. PACKAGING SPECIFICATION: SEE CHART
2. DESIGN: MATERIALS:
- a. SHROUD (PLASTIC HOUSING):
 - RESIN - SPS 30%GF - 20% REGRIND MAX. BY WEIGHT
 - b. 0.64MM PINS:
 - BASE MATERIAL: C26000
 - PLATING TYPE: AS NOTED
 - c. PIN ALIGNMENT PLATE: MYLAR
3. PLATING REQUIREMENTS:
- a. UNDERPLATING - OVERALL NICKEL
 - b. OVERPLATING - OVERALL TIN

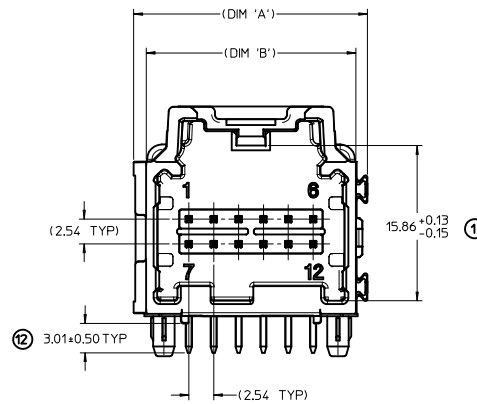
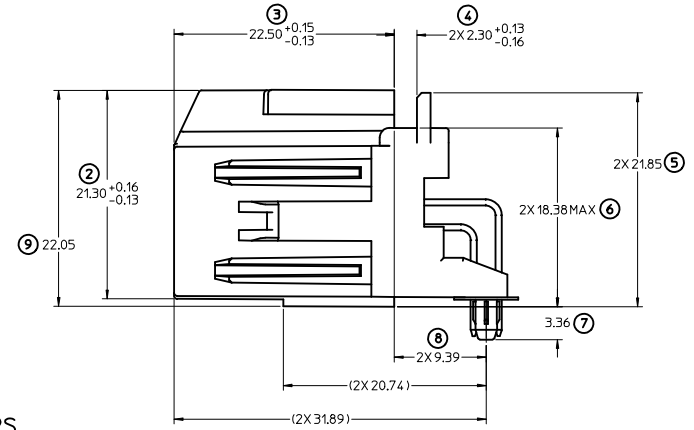
UPDATED DIMENSIONS DEC NO: UAU2012-1442 DRAWN/DRAWN/DATE: 2012/05/23 CHKD: JORWANDANILE APPR: SMARCEAU 2012/05/24 REV: 4	QUALITY SYMBOLS 	GENERAL TOLERANCES (UNLESS SPECIFIED): mm INCH 4 PLACES ± .005 ± .0005 3 PLACES ± .008 ± .0008 2 PLACES ± .013 ± .0013 1 PLACE ± .025 ± .0025 ANGULAR ± 3°	DIMENSION STYLE MM ONLY	SCALE 2:1	DESIGN UNITS METRIC	THIRD ANGLE PROJECTION
	DRAWN BY: MBAILEY DATE: 10/02/06 CHECKED BY: DATE: CDILLON 04/18/07		TITLE STAC64 SINGLE BAY RIGHT ANGLE ASSEMBLY SALES DRAWING			
	APPROVED BY: SMARCEAU DATE: 2010/11/04 MATERIAL NO. DOCUMENT NO.		MOLEX INCORPORATED SD-34691-100			
	DRAFT WHERE APPLICABLE MUST REMAIN WITHIN DIMENSIONS		SEE CHART THIS DRAWING CONTAINS INFORMATION THAT IS PROPRIETARY TO MOLEX INCORPORATED AND SHOULD NOT BE USED WITHOUT WRITTEN PERMISSION			

CKT SIZE	DIM 'A'	DIM 'B'	DIM 'C'	DIM 'D'
20	34.04	31.57	27.94	25.54
16	28.96	26.49	22.86	20.46
12	23.88	21.41	17.78	15.38
8	18.80	16.53	12.70	10.30

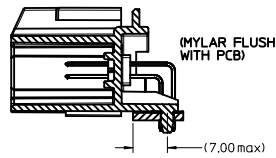
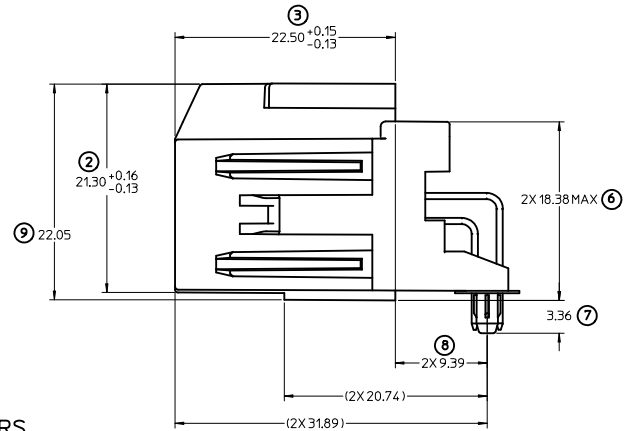
RECOMMENDED PCB LAYOUT



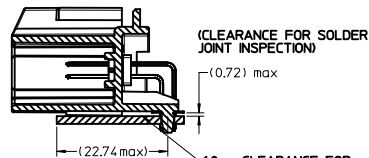
LAYOUT FOR 16 & 20 CKT. HEADERS
(20 CKT. OPTION 'A' SHOWN)



LAYOUT FOR 8 & 12 CKT. HEADERS
(12 CKT. OPTION 'A' SHOWN)



PANEL MOUNTING:
HEADER-TO-PCB
SCALE 2:1



FLUSH MOUNTING:
HEADER-TO-PCB
SCALE 2:1

* RECOMMENDED FOR PIN THROUGH
PASTE REFLOW PROCESSING *

REV	DESCRIPTION	QUALITY SYMBOLS		GENERAL TOLERANCES (UNLESS SPECIFIED)		DIMENSION STYLE		SCALE	DESIGN UNITS	THIRD ANGLE PROJECTION
		mm	INCH	mm	INCH	MM ONLY	DATE	4:1	METRIC	DATE
0		±0		4 PLACES	±---	---				
0		±0		3 PLACES	±---	---				
				2 PLACES	±0.13	---				
				1 PLACE	±0.25	---				
				ANGULAR ± 3 °						
				DRAFT WHERE APPLICABLE MUST REMAIN WITHIN DIMENSIONS						
				SEE CHART						

UPDATED DIMENSIONS IEC NO. UAU2012-1442 DRAWN/DANIELE 2010/05/23 CHKD: APPR:SMARCEAU 2010/05/24	DRAWN BY: MBAILEY CHECKED BY: CDILLON APPROVED BY: SMARCEAU DATE: 10/02/06 DATE: 04/18/07 DATE: 2010/11/04	TITLE: STAC64 SINGLE BAY RIGHT ANGLE ASSEMBLY SALES DRAWING MATERIAL NO.: DOCUMENT NO.: SD-34691-100	SHEET NO.: 2 OF 2
--	---	--	-------------------

THIS DRAWING CONTAINS INFORMATION THAT IS PROPRIETARY TO MOLEX INCORPORATED AND SHOULD NOT BE USED WITHOUT WRITTEN PERMISSION