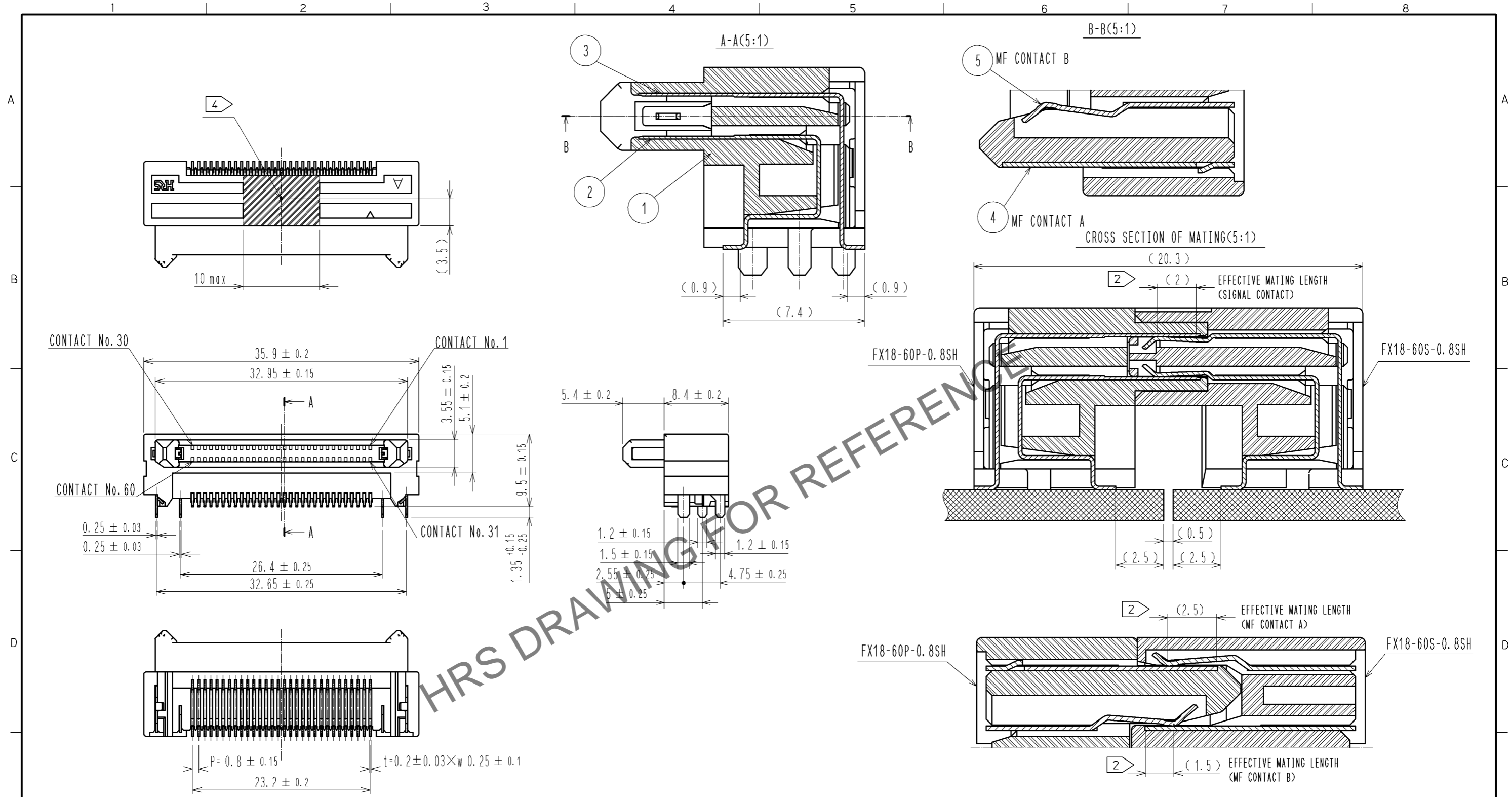


Jul.1.2024 Copyright 2024 HIROSE ELECTRIC CO., LTD. All Rights Reserved.
 In case of consideration for using Automotive equipment / device which demand high reliability, kindly contact our sales window correspondents.



NOTE 1 LEAD CO-PLANARITY IS 0.1mm MAX.
 2 CONTACTS ARE 3 STEPS SEQUENTIAL. (MF CONTACT A->SIGNAL CONTACT->MF CONTACT B) WHEN USING THIS SEQUENTIAL STRUCTURE, PLEASE AVOID ANGLED INSERTION.
 3 MF CONTACT A AND MF CONTACT B CAN BE USED AS POWER SUPPLY CONTACT. (3A/PIN MAX)
 4 IT SHOWS CONNECTOR'S CENTRE OF GRAVITY AND VACUUM PICKUP AREA.
 5 THIS IS PACKAGED IN TRAY. (60pcs/TRAY)
 6 BLEMISH AND HIT MARK CAN BE OCCURED THROUGH OUT THE MANUFACTURING PROCESS WHICH DOESN' T AFFECT QUALITY LEVEL.
 7 THE DIMENSIONS IN PARENTHESES ARE FOR REFERENCES.

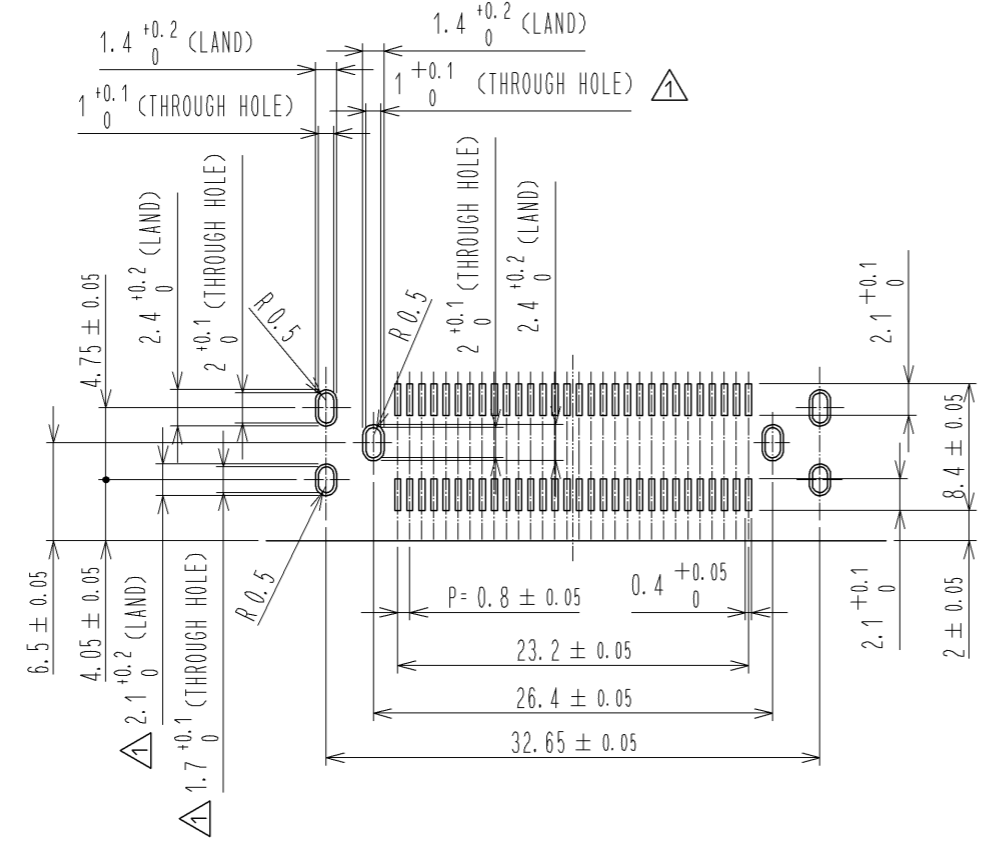
NO.	MATERIAL	FINISH	REMARKS	NO.	MATERIAL	FINISH	REMARKS
3	PHOSPHOR BRONZE	CONTACT AREA:GOLD 0.1µm		6	POLYSTYRENE		
		LEAD AREA:GOLD 0.03µm		5	PHOSPHOR BRONZE	CONTACT AREA:GOLD 0.1µm	
		UNDER PLATING:NICKEL 1.3µm				LEAD AREA:TIN-PLATING 1µm	
2	PHOSPHOR BRONZE	CONTACT AREA:GOLD 0.1µm		4	PHOSPHOR BRONZE	CONTACT AREA:GOLD 0.1µm	
		LEAD AREA:GOLD 0.03µm				LEAD AREA:TIN-PLATING 1µm	
		UNDER PLATING:NICKEL 1.3µm				UNDER PLATING:NICKEL 1.3µm	
1	POLYAMIDE	BLACK	UL94V-0				

UNITS	SCALE	COUNT	DESCRIPTION OF REVISIONS	DESIGNED	CHECKED	DATE
mm	2 : 1	4	DIS-F-005578	TH. SANO	KI. HIROKAWA	11.07.21

APPROVED	CHECED	DESIGNED	DRAWN	DRAWING NO.	PART NO.	CODE NO.
HS. OKAWA	KI. HIROKAWA	TH. SANO	TH. SANO	EDC3-159075-00	FX18-60P-0.8SH	CL579-0003-8-00
09.10.09	09.10.09	09.10.09	09.10.09			

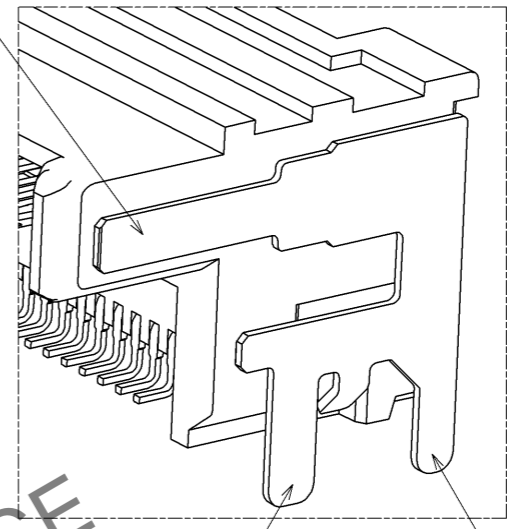
Jul.1.2024 Copyright 2024 HIROSE ELECTRIC CO., LTD. All Rights Reserved.
 In case of consideration for using Automotive equipment / device which demand high reliability, kindly contact our sales window correspondents.

RECOMMENDED LAND PATTERN DIMENSION OF PCB(2:1)
 (PCB THICKNESS:t=1.6mm, METAL MASK THICKNESS:t=0.12mm)



⑧ CONFIGURATION OF MF CONTACT A

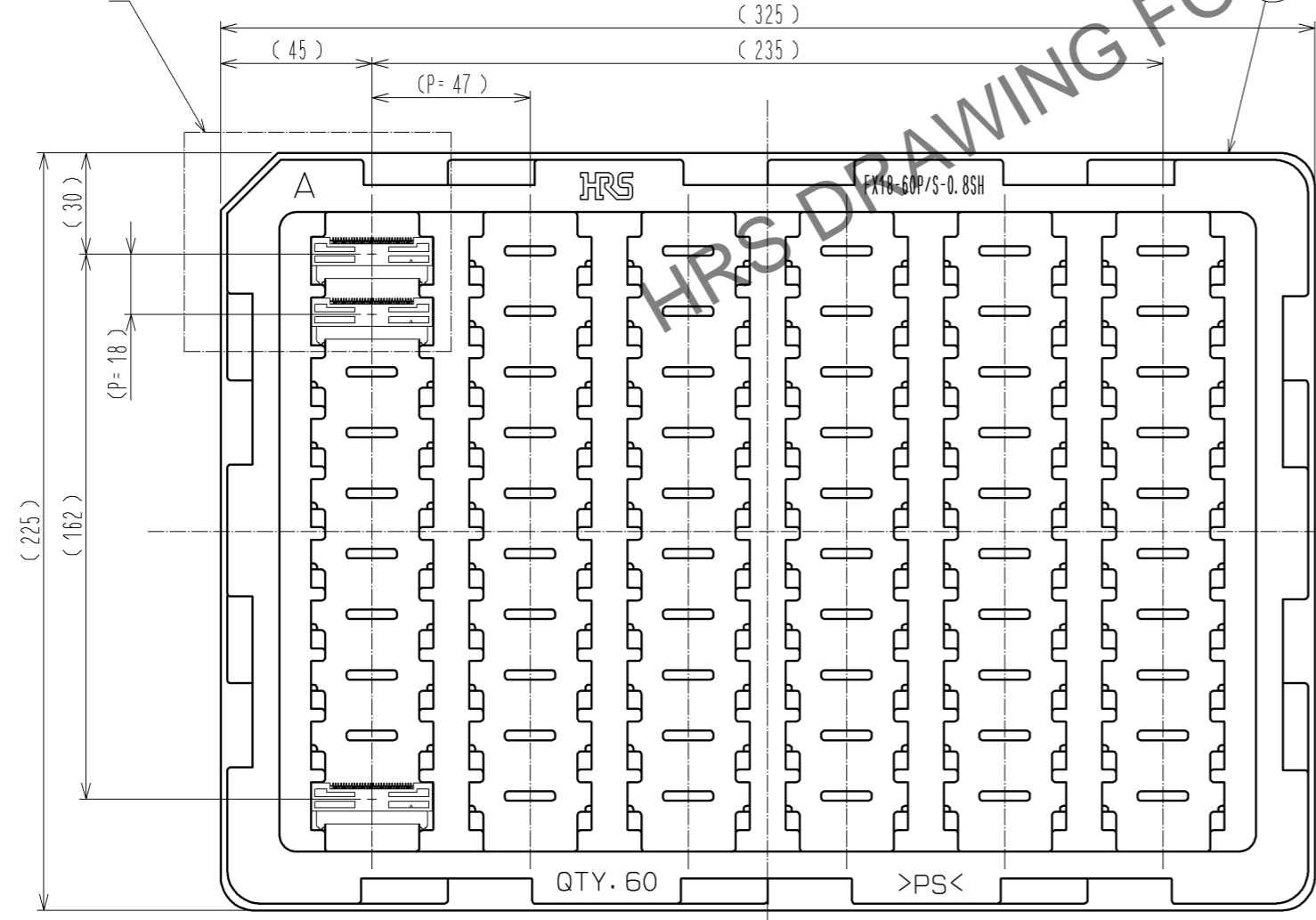
CONTACT AREA OF MF CONTACT A



SOLDERING POLE1 OF MF CONTACT A

NOTE ⑧ SOLDERING LEAD OF MF CONTACT A SPLITS INTO TWO POLES. BE SURE TO CONNECT TO THE SAME CIRCUIT.

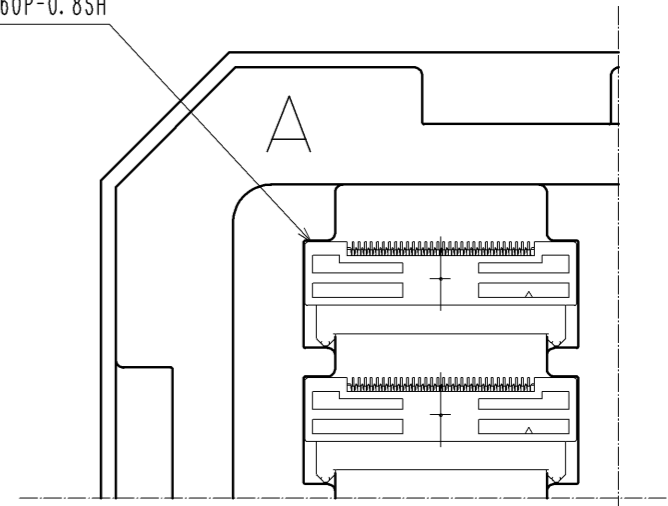
⑤ DRAWING FOR PACKING(1:2)



(18)

C(1:1)

FX18-60P-0.8SH



HRS	DRAWING NO.	EDC3-159075-00	⑧ 2/2
	PART NO.	FX18-60P-0.8SH	
	CODE NO.	CL579-0003-8-00	