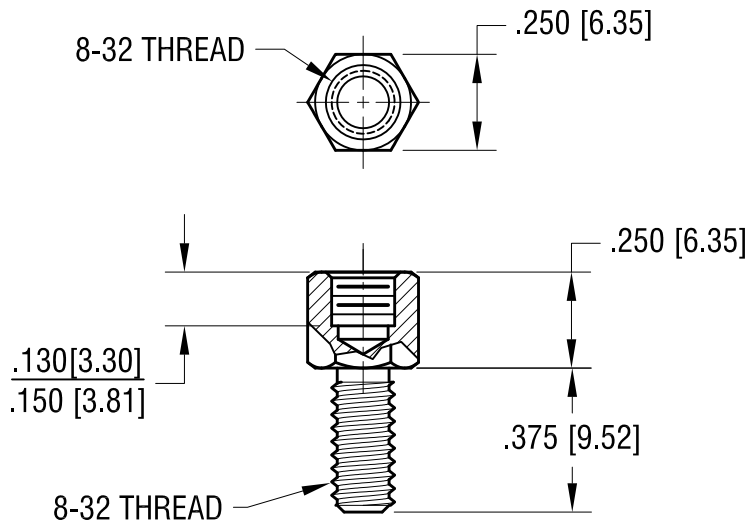


THIS DOCUMENT IS THE PROPERTY OF  
KEYSTONE ELECTRONICS CORP. AND  
SHALL NOT BE REPRODUCED, DISTRIBUTED  
OR USED AS A BASIS FOR MANUFACTURE  
WITHOUT PRIOR WRITTEN PERMISSION  
FROM KEYSTONE ELECTRONICS CORP.

ACTUAL SIZE



**KEYSTONE ELECTRONICS CORP.**

www.keyelco.com • NEW HYDE PARK, NY 11040 • Tel (516) 328-7500

PART NAME		HEX M/F STANDOFF	
MATERIAL		LEAD FREE ALUMINUM	
FINISH		DRN BY	DATE
CLEAR IRIDITE		BOONE	11.16.05
		APP'D	SCALE
		RH	2X
TOLERANCES	INCH [MM]	CODE	DWG NO.
DECIMAL	± .005 [± 0.13]	C	8733
ANGULAR	± 1°		
UNLESS OTHERWISE SPECIFIED			

1.10.24	CHANGE AS PER ECN 24-027	A
DATE	DESCRIPTION	REV.