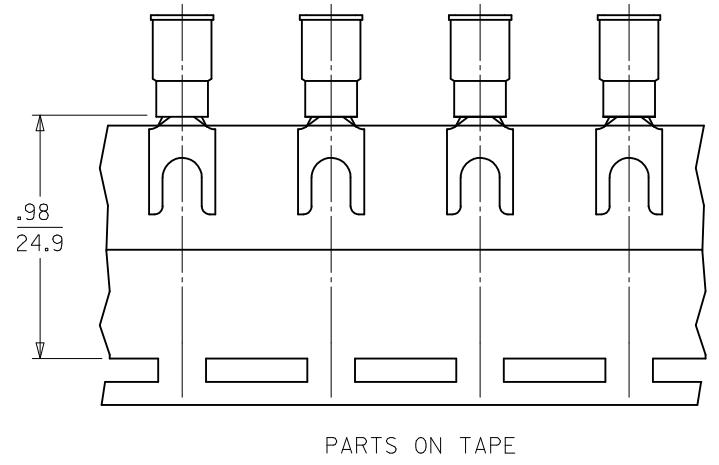
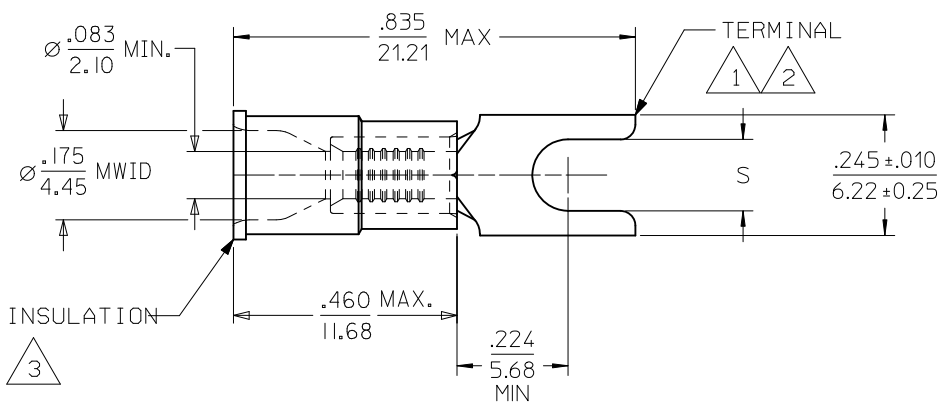


	10	9	8	7	6	5	4	3	2	19130
	MATERIAL NUMBER	ENGINEERING NUMBER	STUD SIZE	"S" ±.005/(0.13)	PACKAGING					
	191300010	B-2471-04X	4	.119/(3.02)	LOOSE PIECE					
F	191300011	B-2471-06X	6	.146/(3.71)						
	191300015	B-2471-06XT	6	.146/(3.71)	TAPE MOUNTED					



SALES DRAWING

- NOTES:
1. MATERIAL: COPPER .032/.030(.81/.76) THICK.
 2. PLATING: ELECTRO-TIN.
 3. INSULATION: MOLDED PVC (BLUE).
 4. MWID=MAXIMUM WIRE INSULATION DIAMETER.
 5. PARTS ARE ROHS COMPLIANT.

RELEASE SALES DWG EC NO: WNA2009-0808 DRAWN BY: DRW:ETHRODAHL 2009/05/01 CHKD: JMACNEIL 2009/05/08 APPR: JMACNEIL 2010/03/25	QUALITY SYMBOLS	GENERAL TOLERANCES (UNLESS SPECIFIED)		DIMENSION STYLE		SCALE	DESIGN UNITS	THIRD ANGLE PROJECTION		
	▼=0 ▽=0	mm		INCH		IN/MM		1:1	INCH	
		4 PLACES	±---	±---	±---	DRAWN BY	DATE	TITLE		
		3 PLACES	±---	±.005	±---	ETHRODAHL	2009/05/01	BLOCK SPADE TONGUE TERMINAL INSULKRIMP 16-14 AWG		
	2 PLACES	±0.13	±.01	±---	CHECKED BY	DATE	MATERIAL NO.			
	1 PLACE	±0.25	±---	±---	JMACNEIL	2009/05/08	APPROVED BY			
	ANGULAR ±---		°		JMACNEIL	2010/03/25	DATE		MOLEX INCORPORATED	
	DRAFT WHERE APPLICABLE MUST REMAIN WITHIN DIMENSIONS				SEE CHART		DOCUMENT NO.	SHEET NO.		
A					B		SD-19130-004		1 OF 1	
THIS DRAWING CONTAINS INFORMATION THAT IS PROPRIETARY TO MOLEX INCORPORATED AND SHOULD NOT BE USED WITHOUT WRITTEN PERMISSION										