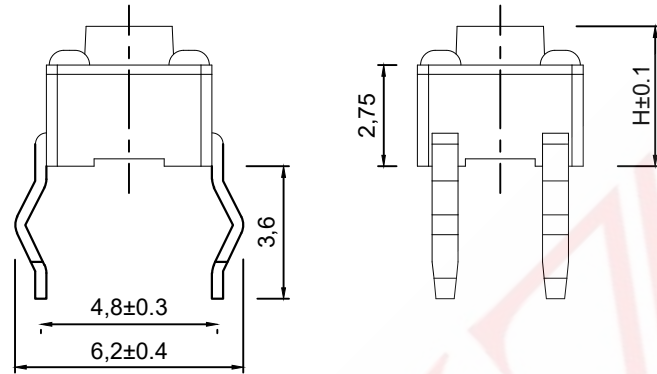
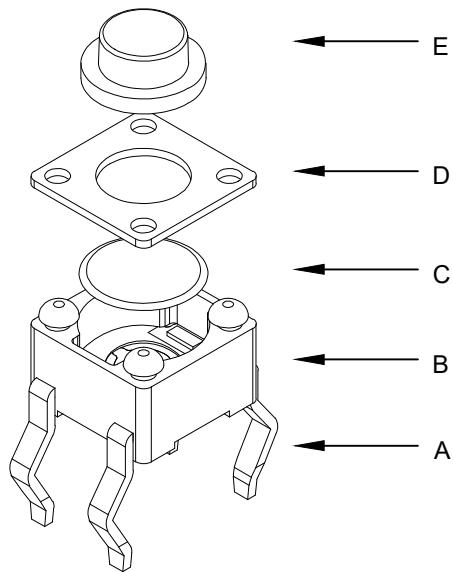


1 SAMZO 2 REAC/ROHS

6		7		8	
REV	ECN NO	DESCRIPTION	DESIGN	APPROVAL	DATE
A1	NEW	Replace frame			2018.06.12

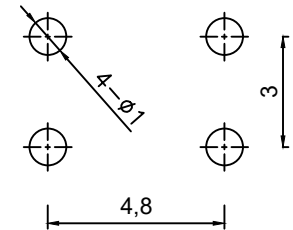
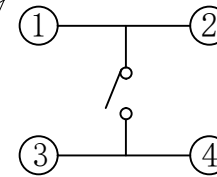
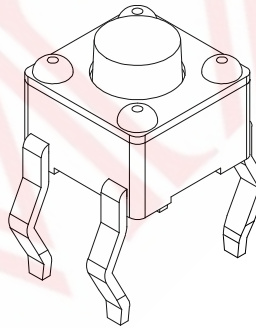
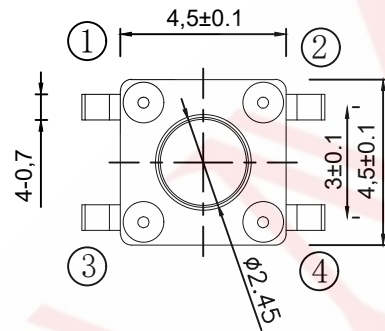


主要技术参数、性能
The Main Thchnology Performance

额定电流、电压 Rate voltage,current	50mA DC12V
接触电阻 Contact resistance	≤100mΩ
按力 Operating force	±50gf
行程 Travel	0.2±0.10mm
绝缘电阻 Insulated resistance	≥100MΩ
介电强度 Dielectric strength	≥250VAC/1min

- C
- | | | | | | | | | |
|---|---|---|---|---|---|---|---|---|
| F | 1 | B | * | * | * | * | 1 | S |
| A | B | C | D | E | F | G | H | |

- A. 系列:F-4.5*4.5系列
 B. 贴装方式:1-立式插件
 C. 引脚规格:B-4P
 D. 操作高度:035-3.5/038-3.8/045-4.5/100-10.0mm (3.5-10.0)
 E. 操作力度:1-180gf/2-260gf
 F. 操作寿命:1-100,000次/2-300,000次/3-500,000次
 G. 固定方式:1-无柱
 H. 物料编码:S-塑胶盖



电路图

CIRCUIT DIAGRAM

PCB. 焊接图

PCB. WELDING DRAWING

ITEM	DESCRIPTION	MATERIAL	QTY	FINISH/COLOR					
E	按钮	PPA	1	黑色	GENERAL TOLERANCE				
D	盖板	PPA	1	白色	≥0~2<	±0.15			
C	弹片	不锈钢	1	镀银	DESIGN	WANGGUIFA	2018.06.12	≥2~5<	±0.25
B	本件	PPA	1	黑色	CHECKED	ZHENGUILAN	2018.06.12	≥0~2<	±0.15
A	卡件	黄铜	1	镀银	APPROVED	LILIANJIANG	2018.06.14	≥5	±0.35

FIRST VIEW

SCALE 1:1 UNIT mm

SAMZO COMPONENTS
Electronic switch and connector manufacturer

The copyright belongs to samzo parts [China] Co., Ltd. please use the material after samzo parts agree to authorize. The final right of interpretation belongs to samzo parts. WWW.KKK-JP.COM

TITLE: 4.5*4.5*H DIP 塑盖
DWG NO: F1B-P4517
PART NO: F1B100173
MODEL NO: F1B***-*-1S
NAME: TACT SWITCH