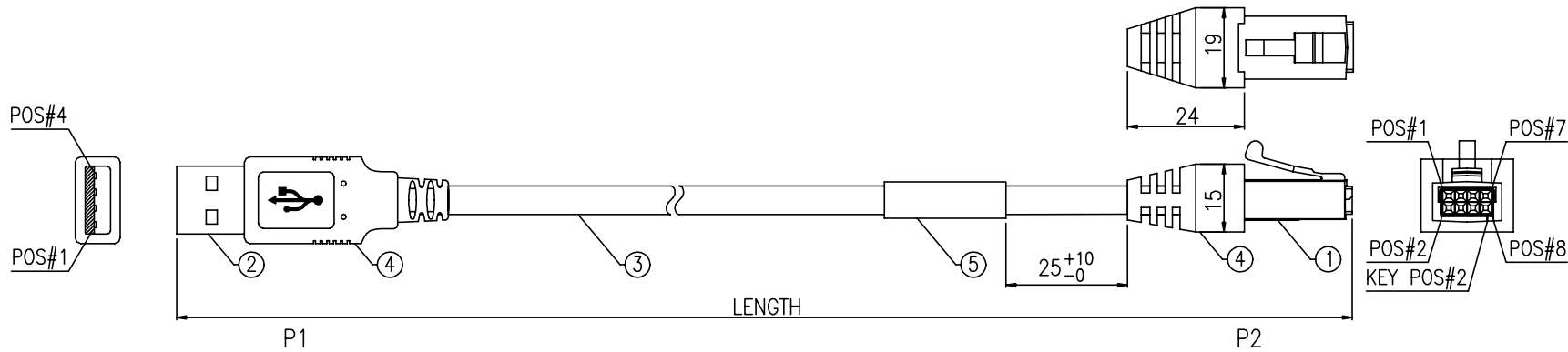


|                    |         |        |            |     |               |                        |  |   |  |
|--------------------|---------|--------|------------|-----|---------------|------------------------|--|---|--|
| 1                  |         |        |            | 2   |               | 3                      |  | 4 |  |
| FCI PART NO.       | P/N     | EC NO. | LENGTH     | REV | ECN NO        | DESCRIPTION            |  |   |  |
| 10109832-Z0400YYLF | 73Y1189 | N21913 | 4000+50/-0 | D   | ELX-N-22283-1 | CHANGE THE LABEL PRINT |  |   |  |
| 10109832-Z0200YYLF | 73Y1108 | N21913 | 2000+50/-0 |     |               |                        |  |   |  |



| PIN ASSIGNMENT |             |            |          |       |
|----------------|-------------|------------|----------|-------|
| P1             | SIGNAL NAME | WIRE COLOR | WIRE AWG | P2    |
| 1              | +5V         | RED        | 20       | 3     |
| 2              | -DATA       | WHITE      | 28 *     | 6     |
| 3              | +DATA       | GREEN      | 28 *     | 4     |
| 4              | GROUND      | BLACK      | 20       | 5     |
| SHELL          | FRAME GND   | BRAID      |          | SHELL |

\*TWISTED PAIR

| 1    | EA   | ADHESIVE LABEL  | 5    |
|------|------|---|------|
| A/R  | KG   | OVERMOLD PVC, 94V-0, PEBBLE GRAY (IBM CODE 43-4216)   | 4    |
| A/R  | M    | USB 2.0 CABLE: UL(CM) CSA(CMG), 28AWG*1P+20AWG*2C+AL/MYLAR+DRAIN+BRAID, PEBBLE GRAY (IBM 43-4216)       | 3    |
| 1    | EA   | USB A TYPE PLUG. CONTACT PLATING: 30u" Au 50u" Ni Min.  | 2    |
| 1    | SET  | 2x4 LATCH-N-LOK 360° SHIELDED PLUG CONNECTOR KIT <24V> KEY POSITION 2, COLOR:GRAY, FCI P/N:98028-7092LF | 1    |
| Q'TY | UNIT | DESCRIPTION   | ITEM |

|               |                                       |      |    |             |              |  |                |                           |           |                 |       |     |
|---------------|---------------------------------------|------|----|-------------|--------------|--|----------------|---------------------------|-----------|-----------------|-------|-----|
| spec ref      | See Notes                             |      |    | dr          | Carl Wang    | 2015-10-08   | projection     | MM                        | size      | A3              | scale | N/A |
| tolerance std | TOLERANCES UNLESS OTHERWISE SPECIFIED |      |    | eng         | Carl Wang    | 2015-10-08   |                |                           | ecn no    |                 |       |     |
| surface       | linear                                | 0.X  | ±  | chr         | Guo-Feng Jin | 2015-10-08   |                |                           | rel level |                 |       |     |
|               |                                       | 0.XX | ±  | appr        | Guo-Feng Jin | 2015-10-08   |                |                           |           |                 |       |     |
|               | angular                               | 0°   | ±° |             |              |  | product family |                           |           |                 |       |     |
|               |                                       |      |    |             |              | <b>title</b><br>USB A TYPE TO 2x4 LATCH-N-LOK CABLE ASSEMBLY |                | <b>dwg no</b><br>10109832 |           | <b>rev</b><br>D |       |     |
|               |                                       |      |    | www.fci.com |              | cat. no.   |                | Product - Customer Drw    |           | sheet 1 of 2    |       |     |

FCI PART NO.

SEE SHEET 1

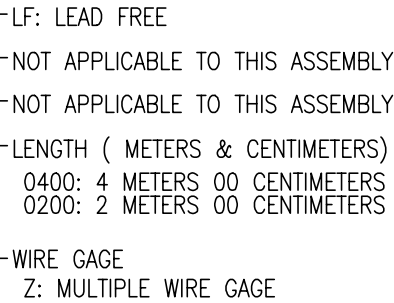
NOTES:

1. 2x4 LATCH-N-LOK MATES WITH FCI PART NUMBER: 74355-XY2LF OR 87316-XY2LF.

2. UNLESS OTHERWISE SPECIFIED ASSEMBLED LENGTH TOLERANCE:
=< 1 METER= ±15.0mm
> 1 METER TO 10 METER= ±2% OF L1 OR L2
> 10 METER= +0%/-4% OF L1 OR L2

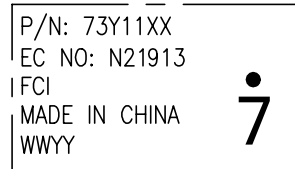
3. PART NUMBER SCHEME FOR CABLE ASSEMBLY:

10109832 - Z X X X X Y Y LF



4. UNLESS OTHERWISE SPECIFIED LABEL POSITION SHALL BE APPROXIMATELY 60mm FROM REAR OF CONNECTOR.

5. LABEL SHOULD BE PRINTED WITH BLACK TEXT AS SHOW BELOW:



- P/N
--- EC NUMBER
--- SUPPLIER NAME
--- COUNTRY OF ORIGIN
--- DATE CODE WWYY FORMAT

6. ALL CABLE ASSEMBLIES SHALL BE TESTED 100% FOR CONTINUITY AS DEFINED IN WIRING LIST.

7. UNLESS OTHERWISE SPECIFIED ALL CABLE ASSEMBLIES SHALL BE 100% HI-POT TESTED: DC 300V/10ms

8. OTHER ELECTRICAL SPECIFICATIONS:
DIELECTRIC RESISTANCE: 50M Ohms MIN.
CONNECTION RESISTANCE: 1.8 Ohms MAX. (For -Z0400YYLF, 4MR LENGTH)
CONNECTION RESISTANCE: 1.2 Ohms MAX. (For -Z0200YYLF, 2MR LENGTH)

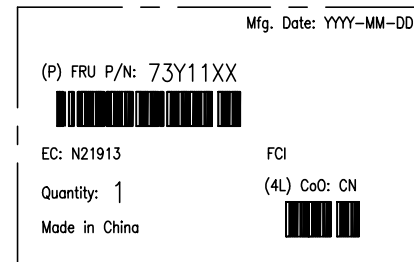
9. THIS DIMENSION IS A FINISHED PRODUCT LENGTH.

10. LEAD FREE PRODUCTS MEET EUROPEAN UNION DIRECTIVES AND OTHER COUNTRY REGULATIONS AS DESCRIBED IN GS-22-008.

11. CONNECTOR ASSEMBLIES SHOWN ARE FOR REFERENCE ONLY AND MAY NOT SHOWN ALL PART DETAIL, REFERENCE CONNECTOR ASSEMBLY DRAWINGS FOR COMPLETE DETAILS.

12. CABLE ASSEMBLY MUST WITHSTAND 66.7N (15 LB) PULL FORCE IN ANY DIRECTION WITHOUT DAMAGE WHILE PLUGGED.

13. PACKAGE: EACH CABLE ASSEMBLY IN CLEAR ZIP-LOCK BPLY BAG, LABEL (WHITE BACKGROUND WITH BLACK LETTERS, CONTENT SEE BELOW) TO BE STAMPED ON CLEAR ZIP-LOCK POLY BAG, THEN BULK PACKED IN A BOX.



CODE READ: P73Y11XX

CODE READ: 4LCN



Copyright FCI.

Table with columns for spec ref, tolerance std, surface, linear/angular, and various engineering details like dr, eng, chr, appr, projection, size, scale, title, cat. no., and sheet 2 of 2.

# Mouser Electronics

Authorized Distributor

Click to View Pricing, Inventory, Delivery & Lifecycle Information:

[FCI / Amphenol:](#)

[10109832-Z0200YYLF](#)