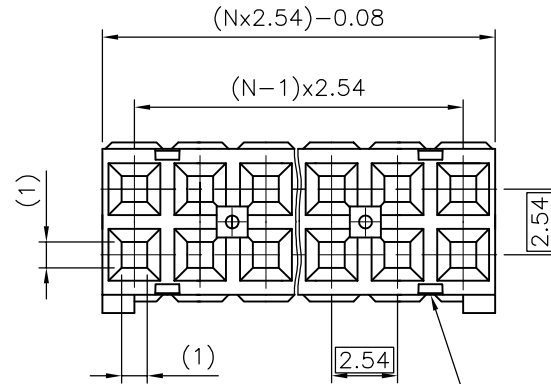


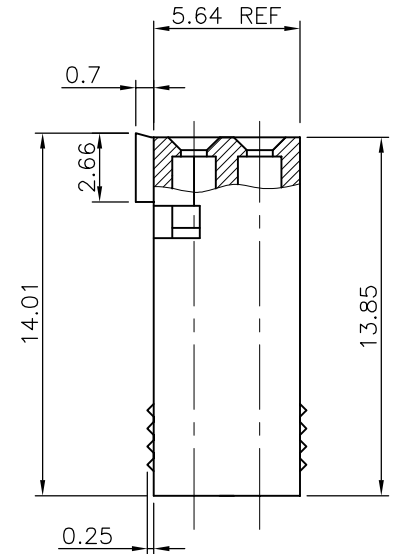
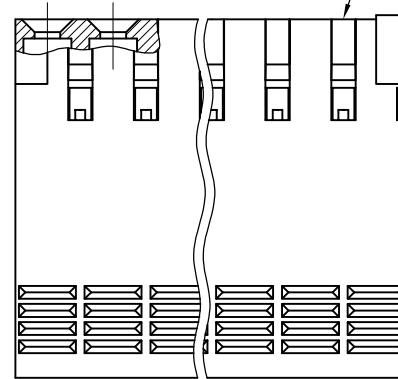
PRODUCT NUMBER

65239-YXXLF

WHEN NEEDED, SUFFIX LETTER "LF"
INDICATES THE PRODUCT IS RoHS
COMPLIANT, SEE NOTE 6
NUMBER OF CAVITIES PER ROW : 02 TO 36.
PLASTIC MATERIAL COLOR CODE.
0 = BLUE
1 = GREY



SEE NOTE 2



NOTES:

- 1 - HOUSING MAT'L: THERMOPLASTIC GLASS FILLED FLAME RETARDANT PER UL 94 V-O.
- 2 - OVER DASH -007 ONLY FIRST AND LAST THREE POSITIONS MUST HAVE GROOVES ON TWO SIDES.
- 3 - PRODUCT PACKED IN PLASTIC BAG.
- 4 - TO DETERMINE DIMENSIONS:
N = NUMBER OF POSITIONS
EXAMPLE: 8 POS: (Nx2.54)-0.08=20.24 mm.
- 5 - FOR TECHNICAL APPLICATION SEE TA317.
- 6 - RoHS COMPATIBLE PRODUCT SPECIFICATIONS

a - LABELING:

- MEETS PACKAGING SPECS AS PER GS-14-920

b - LEGAL STATEMENT: SEE GS-22-008

THE PRODUCT IS NOT INTENDED TO BE EXPOSED TO A MANUFACTURING SOLDER PROCESS.

mat'l. code SEE NOTE		surface ISO 1302	tolerance ISO 406 ISO 101	projection 101	product family DUBOX	
ltr	ecn no	dr	date	tolerances unless otherwise specified	title	
M	F05-0236	DLE	05.08.24	±0.3	CtW HOUSING DR	
N	F05-0286	DLE	05.11.07	linear		
P	F06-0146	DLE	06.03.10	±2'	scale 5:1	
R	F06-0225	DLE	06.07.07	dr		
				engr		sheet 1 of 1 size
K	F04-0347	DLE	04.12.10	chr		65239 A3
L	F05-0169	DLE	05.04.07	appd		type CUSTOMER Drawing
sheet index	revision sheet					

Mouser Electronics

Authorized Distributor

Click to View Pricing, Inventory, Delivery & Lifecycle Information:

[FCI / Amphenol:](#)

[65239-005LF](#)