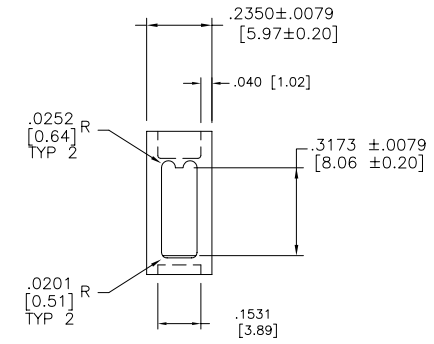
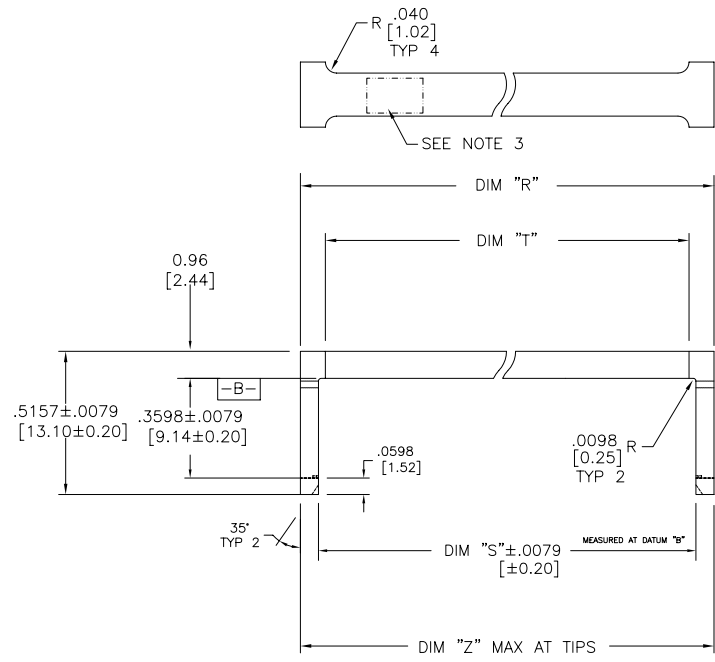
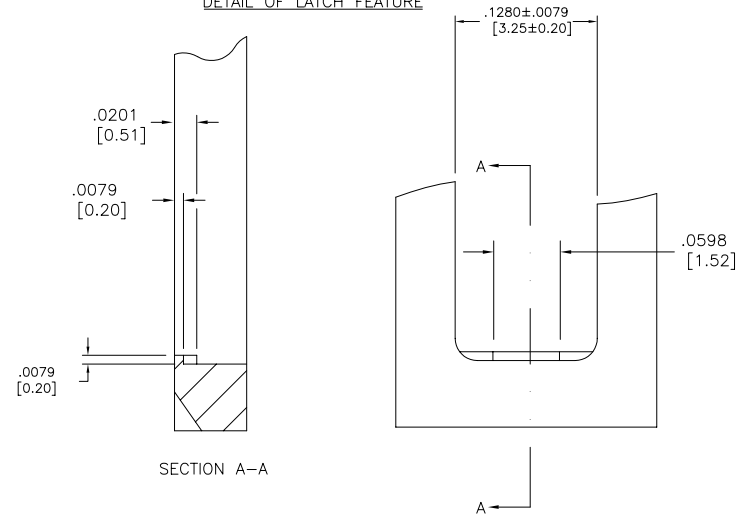


| PRODUCT NUMBER NOTE 4 | MATES WITH ASSY. SIZE | DIM "R" | DIM "S" | DIM "T" | DIM "Z" MAX |
|--------------------------|--------------------------|------------|------------|------------|-------------|
| 66563-001 | 2X20 | 2.18/55.37 | 2.06/52.32 | 2.01/51.05 | 2.18/55.52 |
| 66563-002 | 2X25 | 2.68/68.07 | 2.56/65.02 | 2.51/63.75 | 2.68/68.22 |
| 66563-003 | 2X5 | 0.68/17.27 | 0.56/14.22 | 0.51/12.95 | 0.68/17.42 |
| 66563-004 | 2X13 | 1.48/37.59 | 1.36/34.54 | 1.31/33.27 | 1.48/37.74 |
| 66563-005 | 2X17 | 1.88/47.75 | 1.76/44.70 | 1.71/43.43 | 1.88/47.90 |
| 66563-006 | 2X10 | 1.18/29.97 | 1.06/26.92 | 1.01/25.65 | 1.18/30.12 |
| 66563-007 | 2X7 | 0.88/22.35 | 0.76/19.30 | 0.71/18.03 | 0.88/22.50 |
| 66563-008 | 2X8 | 0.98/24.90 | 0.86/21.84 | 0.81/20.57 | 0.98/25.04 |
| 66563-009 | 2X30 | 3.18/80.77 | 3.06/77.72 | 3.01/76.45 | 3.18/80.92 |
| 66563-010 | 2X3 | 0.48/12.19 | 0.36/9.14 | 0.31/7.87 | 0.48/12.34 |
| 66563-011 | 2X4 | 0.58/14.73 | 0.46/11.68 | 0.41/10.41 | 0.58/14.88 |

DETAIL OF LATCH FEATURE



NOTES:

- UNREINFORCED THERMOPLASTIC POLYESTER FLAME-RETARDENT PER UL 94V-0, COLOR BLUE
- 0°/30° MAX DRAFT PERMITTED ON ALL SURFACES AS SHOWN.
- MOLDED COMPANY LOGO IN THIS AREA.
- ADD "LF" SUFFIX AT THE END OF PART NUMBER FOR LEAD FREE OPTION.
- THIS PRODUCT MEETS EUROPEAN UNION DIRECTIVES AND OTHER COUNTRY REGULATION AS DESCRIBED IN GS-22-008.
- THE PRODUCT IS NOT INTENDED TO BE EXPOSED TO A MANUFACTURING SOLDER PROCESS.

| | | | | | |
|-------------|----------------|-----------------------|----------------------------------|---------------------------------------|---------------------------|
| mat'l. code | | surface ISO 1302 ✓ | tolerance ISO 406 ISO 1101 | projection INCH/MM | product family QUICKIE |
| ltr | ecn no dr | date | | tolerances unless otherwise specified | |
| A | 5003 | WFO | 4/01/83 | linear .XX±.01/.3 | INCH/MM |
| B | M06-0475 | MHT | 12/05/06 | linear .XXX±.005/.13 | scale 5:1 |
| | | dr | WFO | 4/01/83 | dwg no |
| | | enr | WFO | 4/01/83 | sheet 1 of 1 |
| | | chr | WFO | 4/01/83 | size |
| | | appd | WFO | 4/01/83 | A3 |
| sheet index | revision sheet | B | 1 | type Product Customer Drawing | |



Copyright FCI

Mouser Electronics

Authorized Distributor

Click to View Pricing, Inventory, Delivery & Lifecycle Information:

[FCI / Amphenol:](#)

[66563-001](#) [66563-003](#) [66563-004](#) [66563-004LF](#) [66563-006](#) [66563-008](#) [66563-006LF](#)