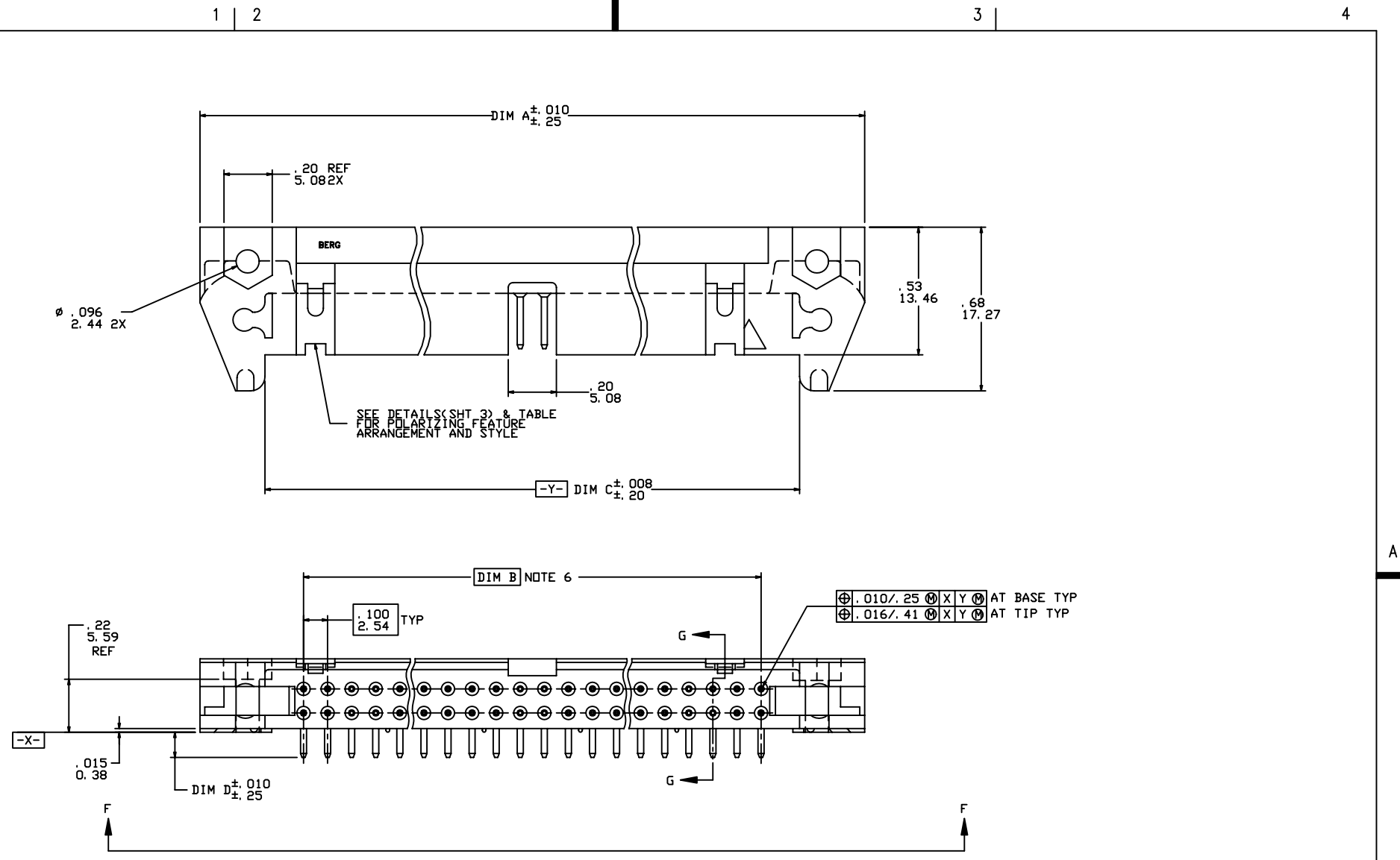
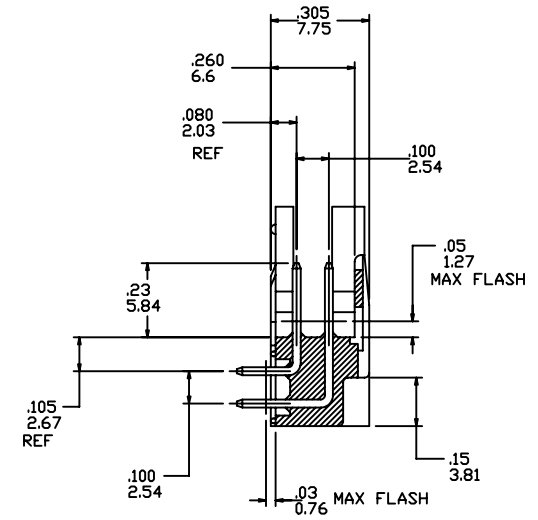
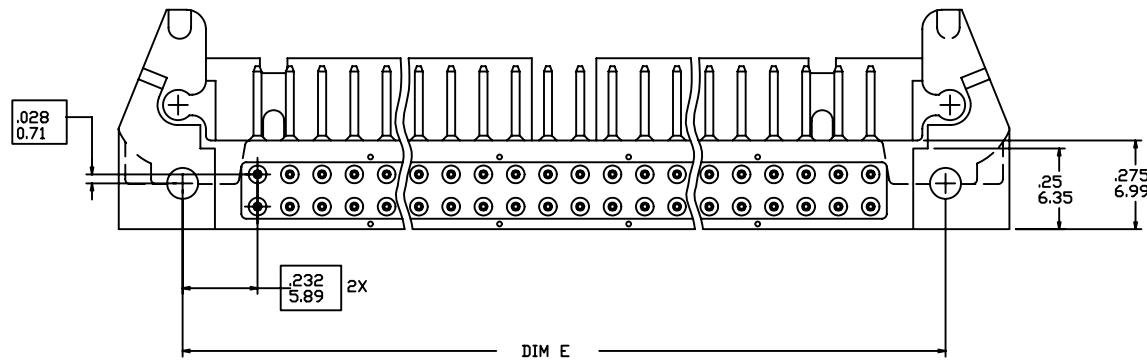
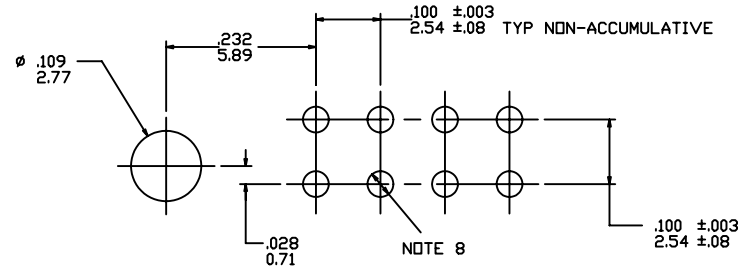


Tous droits strictement reserves. Reproduction ou communication a des tiers
interdite sous quelque forme que ce soit sans autorisation ecrite du proprietaire.
Propriete de c FCI. Droits de reproduction FCI.

All rights strictly reserved. Reproduction or issue to third parties in any
form whatever is not permitted without written authority from the proprietor.
Property of FCI. Copyright FCI.



mat'l. code				tolerances unless otherwise specified				CUSTOMER COPY					www.fciconnect.com										
ltr	ecn no	dr	date	linear	.XX±.01/.X±.3				projection			title		HEADER, QUICKIE									
AC	140002	LSS	07/22/94		.XXX±.005/.XX±.13							SEA, HORSE, RIGHT ANGLE											
AD	N05-0129	ZC	5/20/05		.XXX±.0020/.XXX±.051				INCH/MM			product family		QUICKIE									
AE	N05-0151	WG	7/31/07	angles	0°±2°				scale			size		dwg no									
AF	N08-0175	R.B	2008/08/22	dr	J. SHREINER	1/16/90			5:1			A		65823									
				engr	M. SMYK	1/16/90																	
				chr	M. SMYK	1/16/90																	
				appd	M. SMYK	1/16/90																	
AE	sheet	revision	AF	AF	AF	AF	AF	AF	AF	AF	AF	AF	AF	AF	AF	AF	AF	AF	AF	AF	AF	AF	AF
21	index	sheet	1	2	3	4	5	6	7	8	9	10	11	12	13	14	15	16	17	18	19	20	



mat'l. code				tolerances unless otherwise specified		CUSTOMER COPY	FCI www.fciconnect.com			
ltr	ecn no	dr	date	linear	.XX±.01/.X±.3	projection	title			
AF					.XXX±.005/.XX±.13			HEADER, QUICKIE		
				angles	.XXX±.0020/.XXX±.051	INCH/MM		SEA, HORSE, RIGHT ANGLE		
				dr	0°±2°		scale	product family	code	
				enr	J. SHREINER 1/16/90	5:1		size	—	
				chr	M. SMYK 1/16/90			A	65823	sheet
				appd	M. SMYK 1/16/90				2 of 21	

sheet index	revision sheet																		
21																			

1 | 2

3

4

LP LATCH 66177-001
STD LATCH 65824-001
NOTE 7

HEADER WITH LATCHES

2X5
STYLE A

2X5
STYLE B

2X7
STYLE C

2X8 THRU 2X30
(2X10 SHOWN)
STYLE D

ALL SIZES
STYLE E

NOTES:

1. RECOMMENDED MOUNTING SCREW SIZE: #2-56 FILLISTER HD MACH SCREW, 3/8" LG FOR 1/16" & 3/32" BOARD, 7/16" LG FOR 1/8" BOARD.
- ② MOLDING MAT'L: 30% GLASS FILLED POLYESTER, FLAME RETARDANT PER UL-94V-0, COLOR: BLUE.
- ③ PIN MAT'L: 3/4 HARD PHOS BRONZE ALLDY UNS C-51000.
4. 1° MAX DRAFT PERMISSIBLE ON ALL SURFACES UNLESS OTHERWISE SPECIFIED.
5. PLATING ON LEAD-IN PORTION OF PIN IS MANUFACTURING OPTION.
- ⑥ **B** BASIC DIM SHALL BE LOCATED SYMMETRICAL TO DATUM -Y-.
- ⑦ LOW PROFILE LATCHES TO BE USED WITH FEMALE CONNECTOR WITHOUT STRAIN RELIEF. STANDARD LATCHES TO BE USED WITH FEMALE CONNECTOR WITH STRAIN RELIEF.
- ⑧ .040±.003/1.02±.08 DIA HOLE TYP FOR SQ PINS, .035±.003/.89±.08 DIA HOLE TYP FOR RND PINS.
9. A. RETENTION FEATURE AVAILABLE ON CONNECTORS WITH .105/2.67, .120/3.05, OR .150/3.81 TAIL LENGTH. RETENTION P/N INCLUDES THE LETTER "R" AFTER THE EXISTING P/N.
EXAMPLE: 65823-XXX FOR EXISTING P/N
65823-XXXR FOR RETENTION P/N
RETENTION FEATURE LOCATION IS MANUFACTURERS OPTION.
B. ROUND PINS HAVE 15 LBS/6.8 KGS MAX INSERTION AND .25 LB/.1 KG MIN RETENTION FORCE WHEN USED IN .035±.003/.89±.08 DIA HOLES AND .062/1.57 THICK PC BOARD.
C. SQUARE PINS HAVE A 15 LBS/6.8 KG MAX INSERTION AND .5 LB/.2 KG MIN RETENTION FORCE WHEN USED IN .040±.003/1.02±.08 DIA HOLES AND .062/1.57 THICK PC BOARD.
10. 65496-***LF IS JUST A LEAD FREE PRODUCT.
11. THE HOUSING OF XXXXX-XYLFF WILL WITHSTAND EXPOSURE TO 260°C PEAK TEMPERATURE FOR 10 SECONDS IN A WAVE SOLDER PROCESS.
12. PLATING OPTION: MAYBE EITHER GOLD OR GXT PLATING AT MANUFACTURER'S OPTION.

Tous droits strictement reserves. Reproduction ou communication a des tiers interdite sous quelque forme que ce soit sans autorisation écrite du propriétaire. Propriete de c FCI. Droits de reproduction FCI.

All rights strictly reserved. Reproduction or issue to third parties in any form whatever is not permitted without written authority from the proprietor. Property of FCI. Copyright FCI.

mat'l. code		tolerances unless otherwise specified		CUSTOMER COPY	 www.fciconnect.com
ltr	ecn no	dr	date		
AF				linear	title
				.XX±.01/.X±.3	 HEADER, QUICKIE SEA, HORSE, RIGHT ANGLE
				.XXX±.005/.XX±.13	
				.XXX±.0020/.XXX±.051	product family
				angles	QUICKIE
				0°±2'	code
				dr J. SHREINER 1/16/90	size
				enrg M. SMYK 1/16/90	dwg no
				chr M. SMYK 1/16/90	sheet
				appd M. SMYK 1/16/90	3 of 21
				scale	
				5:1	
sheet index	revision sheet				
21					

1

2

PDM: Rev:AF

3

STATUS Released

Printed: Apr 12, 2011

4

Tous droits strictement reserves. Reproduction ou communication a des tiers interdite sous quelque forme que ce soit sans autorisation ecrite du proprietaire. Propriete de c FCI. Droits de reproduction FCI.



All rights strictly reserved. Reproduction or issue to third parties in any form whatever is not permitted without written authority from the proprietor. Property of FCI. Copyright FCI.

	SIZE	LATCHES NOTE 7	PIN SHAPE	DIM A	DIM B	DIM C	DIM D	DIM E	TERMINAL PLATING NOTE 12	STYLE
65823-001(LF)	2x5	ND	RND	1.260/32.00	.400/10.16	.720/18.29	.105/2.67	.86/21.8	30u" / .76 Au OVER 50u" / 1.27uNi	A
-002(LF)			SQ				.105/2.67		150u" / 3.81u Sn	
-003(LF)			RND				.150/3.81		30u" / .76 Au OVER 50u" / 1.27uNi	
-004(LF)			SQ				.150/3.81		150u" / 3.81u Sn	
-005(LF)			SQ				.675/17.15		30u" / .76 Au OVER 50u" / 1.27uNi	
-006(LF)	2x5		SQ	1.260/32.00	.400/10.16	.720/18.29	.675/17.15	.86/21.8	150u" / 3.81u Sn	A
-007(LF)	2x7		RND	1.460/37.08	.600/15.24	.920/23.37	.105/2.67	1.06/26.9	30u" / .76 Au OVER 50u" / 1.27uNi	C
-008(LF)			SQ				.105/2.67		150u" / 3.81u Sn	
-009(LF)			RND				.150/3.81		30u" / .76 Au OVER 50u" / 1.27uNi	
-010(LF)			SQ				.150/3.81		150u" / 3.81u Sn	
-011(LF)			SQ				.675/17.15		30u" / .76 Au OVER 50u" / 1.27uNi	
-012(LF)	2x7		SQ	1.460/37.08	.600/15.24	.920/23.37	.675/17.15	1.06/26.9	150u" / 3.81u Sn	C
-013(LF)	2x8		RND	1.560/39.62	.700/17.78	1.020/25.91	.105/2.67	1.16/29.4	30u" / .76 Au OVER 50u" / 1.27uNi	D
-014(LF)			SQ				.105/2.67		150u" / 3.81u Sn	
-015(LF)			RND				.150/3.81		30u" / .76 Au OVER 50u" / 1.27uNi	
-016(LF)			SQ				.150/3.81		150u" / 3.81u Sn	
-017(LF)			SQ				.675/17.15		30u" / .76 Au OVER 50u" / 1.27uNi	
-018(LF)	2x8		SQ	1.560/39.62	.700/17.78	1.020/25.91	.675/17.15	1.16/29.4	150u" / 3.81u Sn	
-019(LF)	2x10		RND	1.760/44.70	.900/22.86	1.220/30.99	.105/2.67	1.36/34.5	30u" / .76 Au OVER 50u" / 1.27uNi	
-020(LF)			SQ				.105/2.67		150u" / 3.81u Sn	
-021(LF)			RND				.150/3.81		30u" / .76 Au OVER 50u" / 1.27uNi	
-022(LF)			SQ				.150/3.81		150u" / 3.81u Sn	
-023(LF)			SQ				.675/17.15		30u" / .76 Au OVER 50u" / 1.27uNi	
-024(LF)	2x10		SQ	1.760/44.70	.900/22.86	1.220/30.99	.675/17.15	1.36/34.5	150u" / 3.81u Sn	
-025(LF)	2x13		RND	2.060/52.32	1.200/30.48	1.520/38.61	.105/2.67	1.66/42.1	30u" / .76 Au OVER 50u" / 1.27uNi	
-026(LF)			SQ				.105/2.67		150u" / 3.81u Sn	
-027(LF)			RND				.150/3.81		30u" / .76 Au OVER 50u" / 1.27uNi	
-028(LF)			SQ				.150/3.81		150u" / 3.81u Sn	
-029(LF)			SQ				.675/17.15		30u" / .76 Au OVER 50u" / 1.27uNi	
-030(LF)	2x13		SQ	2.060/52.32	1.200/30.48	1.520/38.61	.675/17.15	1.66/42.1	150u" / 3.81u Sn	
-031(LF)	2x17		RND	2.460/62.48	1.600/40.64	1.920/48.77	.105/2.67	2.06/52.3	30u" / .76 Au OVER 50u" / 1.27uNi	
-032(LF)			SQ				.105/2.67		150u" / 3.81u Sn	
-033(LF)			RND				.150/3.81		30u" / .76 Au OVER 50u" / 1.27uNi	
-034(LF)			SQ				.150/3.81		150u" / 3.81u Sn	
-035(LF)			SQ				.675/17.15		30u" / .76 Au OVER 50u" / 1.27uNi	
65823-036(LF)	2x17	ND	SQ	2.460/62.48	1.600/40.64	1.920/48.77	.675/17.15	2.06/52.3	150u" / 3.81u Sn	D

mat'l. code		tolerances unless otherwise specified		CUSTOMER COPY	 www.fciconnect.com
ltr	ecn no	dr	date	linear	
AF				linear	projection
				angles	
				dr	J. SHREINER 1/16/90
				engr	M. SMYK 1/16/90
				chr	M. SMYK 1/16/90
				appd	M. SMYK 1/16/90
					INCH/MM
					scale
					5:1
sheet index	revision sheet				product family
21					QUICKIE
					code
					-
					size
					dwg no
					65823
					sheet
					4 of 21



	SIZE	LATCHES NOTE 7	PIN SHAPE	DIM A	DIM B	DIM C	DIM D	DIM E	TERMINAL PLATING NOTE 12	STYLE
65823-037(LF)	2x20	ND	RND	2.760/70.10	1.900/48.26	2.220/56.39	.105/2.67	2.36/59.9	30u"/.76u Au OVER 50u"/1.27u Ni	D
-038(LF)			SQ				.105/2.67		150u"/3.81u Sn	
-039(LF)			RND				.150/3.81		30u"/.76u Au OVER 50u"/1.27u Ni	
-040(LF)			SQ				.150/3.81		150u"/3.81u Sn	
-041(LF)			SQ				.675/17.15		30u"/.76u Au OVER 50u"/1.27u Ni	
-042(LF)	2x20		SQ	2.760/70.10	1.900/48.26	2.220/56.39	.675/17.15	2.36/59.9	150u"/3.81u Sn	
-043(LF)	2x25		RND	3.260/82.80	2.400/60.96	2.720/69.09	.105/2.67	2.86/72.6	30u"/.76u Au OVER 50u"/1.27u Ni	
-044(LF)			SQ				.105/2.67		150u"/3.81u Sn	
-045(LF)			RND				.150/3.81		30u"/.76u Au OVER 50u"/1.27u Ni	
-046(LF)			SQ				.150/3.81		150u"/3.81u Sn	
-047(LF)			SQ				.675/17.15		30u"/.76u Au OVER 50u"/1.27u Ni	
-048(LF)	2x25	ND	SQ	3.260/82.80	2.400/60.96	2.720/69.09	.675/17.15	2.86/72.6	150u"/3.81u Sn	D
-049(LF)	2x5	STD	RND	1.260/32.00	.400/10.16	.720/18.29	.105/2.67	.86/21.8	30u"/.76u Au OVER 50u"/1.27u Ni	A
-050(LF)			SQ				.105/2.67		150u"/3.81u Sn	
-051(LF)			RND				.150/3.81		30u"/.76u Au OVER 50u"/1.27u Ni	
-052(LF)			SQ				.150/3.81		150u"/3.81u Sn	
-053(LF)			SQ				.675/17.15		30u"/.76u Au OVER 50u"/1.27u Ni	
-054(LF)	2x5		SQ	1.260/32.00	.400/10.16	.720/18.29	.675/17.15	.86/21.8	150u"/3.81u Sn	A
-055(LF)	2x7		RND	1.460/37.08	.600/15.24	.920/23.37	.105/2.67	1.06/26.9	30u"/.76u Au OVER 50u"/1.27u Ni	C
-056(LF)			SQ				.105/2.67		150u"/3.81u Sn	
-057(LF)			RND				.150/3.81		30u"/.76u Au OVER 50u"/1.27u Ni	
-058(LF)			SQ				.150/3.81		150u"/3.81u Sn	
-059(LF)			SQ				.675/17.15		30u"/.76u Au OVER 50u"/1.27u Ni	
-060(LF)	2x7		SQ	1.460/37.08	.600/15.24	.920/23.37	.675/17.15	1.06/26.9	150u"/3.81u Sn	C
-061(LF)	2x8		RND	1.560/39.62	.700/17.78	1.020/25.91	.105/2.67	1.16/29.4	30u"/.76u Au OVER 50u"/1.27u Ni	D
-062(LF)			SQ				.105/2.67		150u"/3.81u Sn	
-063(LF)			RND				.150/3.81		30u"/.76u Au OVER 50u"/1.27u Ni	
-064(LF)			SQ				.150/3.81		150u"/3.81u Sn	
-065(LF)			SQ				.675/17.15		30u"/.76u Au OVER 50u"/1.27u Ni	
-066(LF)	2x8		SQ	1.560/39.62	.700/17.78	1.020/25.91	.675/17.15	1.16/29.4	150u"/3.81u Sn	
-067(LF)	2x10		RND	1.760/44.70	.900/22.86	1.220/30.99	.105/2.67	1.36/34.5	30u"/.76u Au OVER 50u"/1.27u Ni	
-068(LF)			SQ				.105/2.67		150u"/3.81u Sn	
-069(LF)			RND				.150/3.81		30u"/.76u Au OVER 50u"/1.27u Ni	
-070(LF)			SQ				.150/3.81		150u"/3.81u Sn	
-071(LF)			SQ				.675/17.15		30u"/.76u Au OVER 50u"/1.27u Ni	
65823-072(LF)	2x10	STD	SQ	1.760/44.70	.900/22.86	1.220/30.99	.675/17.15	1.36/34.5	150u"/3.81u Sn	D

mat'l. code				tolerances unless otherwise specified		CUSTOMER COPY	 www.fciconnect.com
ltr	ecn no	dr	date	linear	.XX±.01/.X±.3 .XXX±.005/.XX±.13 .XXXX±.0020/.XXX±.051	projection	
AF				angles	0°±2'	 INCH/MM	HEADER, QUICKIE SEA, HORSE, RIGHT ANGLE
				dr	J. SHREINER 1/16/90	product family QUICKIE code -	product size dwg no
				enr	M. SMYK 1/16/90		
				appd	M. SMYK 1/16/90	scale 5:1 STATUS Released	sheet 5 of 21 Printed: Apr 12, 2011

PDM-Rev:AF

65823

Tous droits strictement reserves. Reproduction ou communication a des tiers interdite sous quelque forme que ce soit sans autorisation écrite du propriétaire. Propriete de c FCI. Droits de reproduction FCI.



All rights strictly reserved. Reproduction or issue to third parties in any form whatever is not permitted without written authority from the proprietor. Property of FCI. Copyright FCI.

	SIZE	LATCHES NOTE 7	PIN SHAPE	DIM A	DIM B	DIM C	DIM D	DIM E	TERMINAL PLATING NOTE 12	STYLE
65823-073 (LF)	2x13	STD	RND	2.060/52.32	1.200/30.48	1.520/38.61	.105/2.67	1.66/42.1	30u" / .76u Au OVER 50u" / 1.27u Ni	D
-074 (LF)			SQ				.105/2.67		150u" / 3.81u" 1/27u Ni	
-075 (LF)			RND				.150/3.81		30u" / .76u Au OVER 50u" / 1.27u Ni	
-076 (LF)			SQ				.150/3.81		150u" / 3.81u" 1/27u Ni	
-077 (LF)			SQ				.675/17.15		30u" / .76u Au OVER 50u" / 1.27u Ni	
-078 (LF)	2x13		SQ	2.060/52.32	1.200/30.48	1.520/38.61	.675/17.15	1.66/42.1	150u" / 3.81u" 1/27u Ni	
-079 (LF)	2x17		RND	2.460/62.48	1.600/40.64	1.920/48.77	.105/2.67	2.06/52.3	30u" / .76u Au OVER 50u" / 1.27u Ni	
-080 (LF)			SQ				.105/2.67		150u" / 3.81u" 1/27u Ni	
-081 (LF)			RND				.150/3.81		30u" / .76u Au OVER 50u" / 1.27u Ni	
-082 (LF)			SQ				.150/3.81		150u" / 3.81u" 1/27u Ni	
-083 (LF)			SQ				.675/17.15		30u" / .76u Au OVER 50u" / 1.27u Ni	
-084 (LF)	2x17		SQ	2.460/62.48	1.600/40.64	1.920/48.77	.675/17.15	2.06/52.3	150u" / 3.81u" 1/27u Ni	
-085 (LF)	2x20		RND	2.760/70.10	1.900/48.26	2.220/56.39	.105/2.67	2.36/59.9	30u" / .76u Au OVER 50u" / 1.27u Ni	
-086 (LF)			SQ				.105/2.67		150u" / 3.81u" 1/27u Ni	
-087 (LF)			RND				.150/3.81		30u" / .76u Au OVER 50u" / 1.27u Ni	
-088 (LF)			SQ				.150/3.81		150u" / 3.81u" 1/27u Ni	
-089 (LF)			SQ				.675/17.15		30u" / .76u Au OVER 50u" / 1.27u Ni	
-090 (LF)	2x20		SQ	2.760/70.10	1.900/48.26	2.220/56.39	.675/17.15	2.36/59.9	150u" / 3.81u" 1/27u Ni	
-091 (LF)	2x25		RND	3.260/82.80	2.400/60.96	2.720/69.09	.105/2.67	2.86/72.6	30u" / .76u Au OVER 50u" / 1.27u Ni	
-092 (LF)			SQ				.105/2.67		150u" / 3.81u" 1/27u Ni	
-093 (LF)			RND				.150/3.81		30u" / .76u Au OVER 50u" / 1.27u Ni	
-094 (LF)			SQ				.150/3.81		150u" / 3.81u" 1/27u Ni	
-095 (LF)			SQ				.675/17.15		30u" / .76u Au OVER 50u" / 1.27u Ni	
-096 (LF)	2x25	STD	SQ	3.260/82.80	2.400/60.96	2.720/69.09	.675/17.15	2.86/72.6	150u" / 3.81u" 1/27u Ni	
-097 (LF)	2x30	ND	RND	3.760/95.50	2.900/73.66	3.220/81.79	.105/2.67	3.36/85.3	30u" / .76u Au OVER 50u" / 1.27u Ni	
-098 (LF)			SQ				.105/2.67		150u" / 3.81u" 1/27u Ni	
-099 (LF)			RND				.150/3.81		30u" / .76u Au OVER 50u" / 1.27u Ni	
-100 (LF)			SQ				.150/3.81		150u" / 3.81u" 1/27u Ni	
-101 (LF)			SQ				.675/17.15		30u" / .76u Au OVER 50u" / 1.27u Ni	
-102 (LF)		ND	SQ				.675/17.15		150u" / 3.81u" 1/27u Ni	
-103 (LF)		STD	RND				.105/2.67		30u" / .76u Au OVER 50u" / 1.27u Ni	
-104 (LF)			SQ				.105/2.67		150u" / 3.81u" 1/27u Ni	
-105 (LF)			RND				.150/3.81		30u" / .76u Au OVER 50u" / 1.27u Ni	
-106 (LF)			SQ				.150/3.81		150u" / 3.81u" 1/27u Ni	
-107 (LF)			SQ				.675/17.15		30u" / .76u Au OVER 50u" / 1.27u Ni	
65823-108 (LF)	2x30	STD	SQ	3.760/95.50	2.900/73.66	3.220/81.79	.675/17.15	3.36/85.3	150u" / 3.81u" 1/27u Ni	D

mat'l. code				tolerances unless otherwise specified				CUSTOMER COPY		 www.fciconnect.com		
ltr	ecn no	dr	date	linear	.XX±.01/.X±.3			projection	 title HEADER, QUICKIE SEA, HORSE, RIGHT ANGLE			
AF					.XXX±.005/.XX±.13							
					.XXX±.0020/.XXX±.051							
					angles	0°±2°						
					dr	J. SHREINER	1/16/90					
				enr	M. SMYK	1/16/90	INCH/MM		product family QUICKIE			
				chr	M. SMYK	1/16/90	←		code			
				appd	M. SMYK	1/16/90	→		size			
sheet index				revision sheet				scale		A		
21								5:1		65823		
										sheet 6 of 21		



	SIZE	LATCHES NOTE 7	PIN SHAPE	DIM A	DIM B	DIM C	DIM D	DIM E	TERMINAL PLATING NOTE 12	STYLE
65823-109(LF)	2x5	ND	SQ	1.260/32.00	.400/10.16	.720/18.29	.105/2.67	.86/21.8	30u"/.76u Au OVER 50u"/1.27u Ni	A
-110(LF)	2x7			1.460/37.08	.600/15.24	.920/23.37		1.06/26.9		C
-111(LF)	2x8			1.560/39.62	.700/17.78	1.020/25.91		1.16/29.4		D
-112(LF)	2x10			1.760/44.70	.900/22.86	1.220/30.99		1.36/34.5		
-113(LF)	2x13			2.060/52.32	1.200/30.48	1.520/38.61		1.66/42.1		
-114(LF)	2x17			2.460/62.48	1.600/40.64	1.920/48.77		2.06/52.3		
-115(LF)	2x20			2.760/70.10	1.900/48.26	2.220/56.39		2.36/59.9		
-116(LF)	2x25			3.260/82.80	2.400/60.96	2.720/69.09		2.86/72.6		
-117(LF)	2x30	ND		3.760/95.50	2.900/73.66	3.220/81.79		3.36/85.3		D
-118(LF)	2x5	STD		1.260/32.00	.400/10.16	.720/18.29		.86/21.8		A
-119(LF)	2x7			1.460/37.08	.600/15.24	.920/23.37		1.06/26.9		C
-120(LF)	2x8			1.560/39.62	.700/17.78	1.020/25.91		1.16/29.4		D
-121(LF)	2x10			1.760/44.70	.900/22.86	1.220/30.99		1.36/34.5		
-122(LF)	2x13			2.060/52.32	1.200/30.48	1.520/38.61		1.66/42.1		
-123(LF)	2x17			2.460/62.48	1.600/40.64	1.920/48.77		2.06/52.3		
-124(LF)	2x20			2.760/70.10	1.900/48.26	2.220/56.39		2.36/59.9		
-125(LF)	2x25			3.260/82.80	2.400/60.96	2.720/69.09		2.86/72.6		
-126(LF)	2x30	STD	SQ	3.760/95.50	2.900/73.66	3.220/81.79	.105/2.67	3.36/85.3	30u"/.76u Au OVER 50u"/1.27u Ni	D
-127(LF)	2x5	ND	RND	1.260/32.00	.400/10.16	.720/18.29	.150/3.81	.86/21.8	30u"/.76u GXT/GOLD FLASH	A
-128(LF)	2x7			1.460/37.08	.600/15.24	.920/23.37		1.06/26.9		C
-129(LF)	2x8			1.560/39.62	.700/17.78	1.020/25.91		1.16/29.4		D
-130(LF)	2x10			1.760/44.70	.900/22.86	1.220/30.99		1.36/34.5		
-131(LF)	2x13			2.060/52.32	1.200/30.48	1.520/38.61		1.66/42.1		
-132(LF)	2x17			2.460/62.48	1.600/40.64	1.920/48.77		2.06/52.3		
-133(LF)	2x20			2.760/70.10	1.900/48.26	2.220/56.39		2.36/59.9		
-134(LF)	2x25			3.260/82.80	2.400/60.96	2.720/69.09		2.86/72.6		
-135(LF)	2x30	ND		3.760/95.50	2.900/73.66	3.220/81.79		3.36/85.3		D
-136(LF)	2x5	STD		1.260/32.00	.400/10.16	.720/18.29		.86/21.8		A
-137(LF)	2x7			1.460/37.08	.600/15.24	.920/23.37		1.06/26.9		C
-138(LF)	2x8			1.560/39.62	.700/17.78	1.020/25.91		1.16/29.4		D
-139(LF)	2x10			1.760/44.70	.900/22.86	1.220/30.99		1.36/34.5		
-140(LF)	2x13			2.060/52.32	1.200/30.48	1.520/38.61		1.66/42.1		
-141(LF)	2x17			2.460/62.48	1.600/40.64	1.920/48.77		2.06/52.3		
-142(LF)	2x20			2.760/70.10	1.900/48.26	2.220/56.39		2.36/59.9		
-143(LF)	2x25			3.260/82.80	2.400/60.96	2.720/69.09		2.86/72.6		
65823-144(LF)	2x30	STD	RND	3.760/95.50	2.900/73.66	3.220/81.79	.150/3.81	3.36/85.3	30u"/.76u GXT/GOLD FLASH	D

mat'l. code		tolerances unless otherwise specified		CUSTOMER COPY		 www.fciconnect.com	
ltr	ecn no	dr	date	linear	.XX±.01/.X±.3	projection	
AF					.XXX±.005/.XX±.13		
				angles	0°±2°	INCH/MM	product family QUICKIE size dwg no
				dr	J. SHREINER 1/16/90		
				enr	M. SMYK 1/16/90	scale	A 65823
				chr	M. SMYK 1/16/90		
				appd	M. SMYK 1/16/90	5:1	sheet 7 of 21
sheet index	21	revision sheet					



	SIZE	LATCHES NOTE 7	PIN SHAPE	DIM A	DIM B	DIM C	DIM D	DIM E	TERMINAL PLATING NOTE 12	STYLE
65823-145 (LF)	2x5	LP	RND	1.260/32.00	.400/10.16	.720/18.29	.105/2.67	.86/21.8	30u" / .76u Au DVER 50u" / 1.27u Ni	A
-146 (LF)			SQ				.105/2.67		150u" / 3.81u Sn	
-147 (LF)			RND				.150/3.81		30u" / .76u Au DVER 50u" / 1.27u Ni	
-148 (LF)			SQ				.150/3.81		150u" / 3.81u Sn	
-149 (LF)			SQ				.675/17.15		30u" / .76u Au DVER 50u" / 1.27u Ni	
-150 (LF)	2x5		SQ	1.260/32.00	.400/10.16	.720/18.29	.675/17.15	.86/21.8	150u" / 3.81u Sn	A
-151 (LF)	2x7		RND	1.460/37.08	.600/15.24	.920/23.37	.105/2.67	1.06/26.9	30u" / .76u Au DVER 50u" / 1.27u Ni	C
-152 (LF)			SQ				.105/2.67		150u" / 3.81u Sn	
-153 (LF)			RND				.150/3.81		30u" / .76u Au DVER 50u" / 1.27u Ni	
-154 (LF)			SQ				.150/3.81		150u" / 3.81u Sn	
-155 (LF)			SQ				.675/17.15		30u" / .76u Au DVER 50u" / 1.27u Ni	
-156 (LF)	2x7		SQ	1.460/37.08	.600/15.24	.920/23.37	.675/17.15	1.06/26.9	150u" / 3.81u Sn	C
-157 (LF)	2x8		RND	1.560/39.62	.700/17.78	1.020/25.91	.105/2.67	1.16/29.4	30u" / .76u Au DVER 50u" / 1.27u Ni	D
-158 (LF)			SQ				.105/2.67		150u" / 3.81u Sn	
-159 (LF)			RND				.150/3.81		30u" / .76u Au DVER 50u" / 1.27u Ni	
-160 (LF)			SQ				.150/3.81		150u" / 3.81u Sn	
-161 (LF)			SQ				.675/17.15		30u" / .76u Au DVER 50u" / 1.27u Ni	
-162 (LF)	2x8		SQ	1.560/39.62	.700/17.78	1.020/25.91	.675/17.15	1.16/29.4	150u" / 3.81u Sn	
-163 (LF)	2x10		RND	1.760/44.70	.900/22.86	1.220/30.99	.105/2.67	1.36/34.5	30u" / .76u Au DVER 50u" / 1.27u Ni	
-164 (LF)			SQ				.105/2.67		150u" / 3.81u Sn	
-165 (LF)			RND				.150/3.81		30u" / .76u Au DVER 50u" / 1.27u Ni	
-166 (LF)			SQ				.150/3.81		150u" / 3.81u Sn	
-167 (LF)			SQ				.675/17.15		30u" / .76u Au DVER 50u" / 1.27u Ni	
-168 (LF)	2x10		SQ	1.760/44.70	.900/22.86	1.220/30.99	.675/17.15	1.36/34.5	150u" / 3.81u Sn	
-169 (LF)	2x13		RND	2.060/52.32	1.200/30.48	1.520/38.61	.105/2.67	1.66/42.1	30u" / .76u Au DVER 50u" / 1.27u Ni	
-170 (LF)			SQ				.105/2.67		150u" / 3.81u Sn	
-171 (LF)			RND				.150/3.81		30u" / .76u Au DVER 50u" / 1.27u Ni	
-172 (LF)			SQ				.150/3.81		150u" / 3.81u Sn	
-173 (LF)			SQ				.675/17.15		30u" / .76u Au DVER 50u" / 1.27u Ni	
-174 (LF)	2x13		SQ	2.060/52.32	1.200/30.48	1.520/38.61	.675/17.15	1.66/42.1	150u" / 3.81u Sn	
-175 (LF)	2x17		RND	2.460/62.48	1.600/40.64	1.920/48.77	.105/2.67	2.06/52.3	30u" / .76u Au DVER 50u" / 1.27u Ni	
-176 (LF)			SQ				.105/2.67		150u" / 3.81u Sn	
-177 (LF)			RND				.150/3.81		30u" / .76u Au DVER 50u" / 1.27u Ni	
-178 (LF)			SQ				.150/3.81		150u" / 3.81u Sn	
-179 (LF)			SQ				.675/17.15		30u" / .76u Au DVER 50u" / 1.27u Ni	
65823-180 (LF)	2x17	LP	SQ	2.460/62.48	1.600/40.64	1.920/48.77	.675/17.15	2.06/52.3	150u" / 3.81u Sn	D

mat'l. code				tolerances unless otherwise specified			CUSTOMER COPY		FCI www.fciconnect.com	
ltr	ecn no	dr	date	linear	.XX±.01/.X±.3		projection ⊕	title HEADER, QUICKIE SEA, HORSE, RIGHT ANGLE		
AF					.XXX±.005/.XX±.13					
					.XXX±.0020/.XXX±.051					
				angles	0°±2'		INCH/MM ←→	product family QUICKIE		code -
				dr	J. SHREINER	1/16/90		product size A		sheet 8 of 21
				enrg	M. SMYK	1/16/90		scale 5:1		
				chr	M. SMYK	1/16/90				
				appd	M. SMYK	1/16/90				
sheet index		revision sheet								
21										

Tous droits strictement reserves. Reproduction ou communication a des tiers interdite sous quelque forme que ce soit sans autorisation ecrite du proprietaire. Propriete de c FCI. Droits de reproduction FCI.



All rights strictly reserved. Reproduction or issue to third parties in any form whatever is not permitted without written authority from the proprietor. Property of FCI. Copyright FCI.

	SIZE	LATCHES NOTE 7	PIN SHAPE	DIM A	DIM B	DIM C	DIM D	DIM E	TERMINAL PLATING NOTE 12	STYLE
65823-181(LF)	2x20	LP	RND	2.760/70.10	1.900/48.26	2.220/56.39	.105/2.67	2.36/59.9	30u"/.76u DVER 50u"/1.27u Ni	D
-182(LF)			SQ				.105/2.67		150u"/3.81u Sn	
-183(LF)			RND				.150/3.81		30u"/.76u DVER 50u"/1.27u Ni	
-184(LF)			SQ				.150/3.81		150u"/3.81u Sn	
-185(LF)			SQ				.675/17.15		30u"/.76u DVER 50u"/1.27u Ni	
-186(LF)	2x20		SQ	2.760/70.10	1.900/48.26	2.220/56.39	.675/17.15	2.36/59.9	150u"/3.81u Sn	
-187(LF)	2x25		RND	3.260/82.80	2.400/60.96	2.720/69.09	.105/2.67	2.86/72.6	30u"/.76u DVER 50u"/1.27u Ni	
-188(LF)			SQ				.105/2.67		150u"/3.81u Sn	
-189(LF)			RND				.150/3.81		30u"/.76u DVER 50u"/1.27u Ni	
-190(LF)			SQ				.150/3.81		150u"/3.81u Sn	
-191(LF)			SQ				.675/17.15		30u"/.76u DVER 50u"/1.27u Ni	
-192(LF)	2x25		SQ	3.260/82.80	2.400/60.96	2.720/69.09	.675/17.15	2.86/72.6	150u"/3.81u Sn	
-193(LF)	2x30		RND	3.760/95.50	2.900/73.66	3.220/81.79	.105/2.67	3.36/85.3	30u"/.76u DVER 50u"/1.27u Ni	
-194(LF)			SQ				.105/2.67		150u"/3.81u Sn	
-195(LF)			RND				.150/3.81		30u"/.76u DVER 50u"/1.27u Ni	
-196(LF)			SQ				.150/3.81		150u"/3.81u Sn	
-197(LF)			SQ				.675/17.15		30u"/.76u DVER 50u"/1.27u Ni	
-198(LF)	2x30			3.760/95.50	2.900/73.66	3.220/81.79	.675/17.15	3.36/85.3	150u"/3.81u Sn	D
-199(LF)	2x5			1.260/32.00	.400/10.16	.720/18.29	.105/2.67	.86/21.8	30u"/.76u DVER 50u"/1.27u Ni	A
-200(LF)	2x7			1.460/37.08	.600/15.24	.920/23.37		1.06/26.9		C
-201(LF)	2x8			1.560/39.62	.700/17.78	1.020/25.91		1.16/29.4		D
-202(LF)	2x10			1.760/44.70	.900/22.86	1.220/30.99		1.36/34.5		
-203(LF)	2x13			2.060/52.32	1.200/30.48	1.520/38.61		1.66/42.1		
-204(LF)	2x17			2.460/62.48	1.600/40.64	1.920/48.77		2.06/52.3		
-205(LF)	2x20			2.760/70.10	1.900/48.26	2.220/56.39		2.36/59.9		
-206(LF)	2x25			3.260/82.80	2.400/60.96	2.720/69.09		2.86/72.6		
-207(LF)	2x30		SQ	3.760/95.50	2.900/73.66	3.220/81.79	.105/2.67	3.36/85.3	30u"/.76u DVER 50u"/1.27u Ni	D
-208(LF)	2x5		RND	1.260/32.00	.400/10.16	.720/18.29	.150/3.81	.86/21.8	30u"/.76u GXT/GOLD FLASH	A
-209(LF)	2x7			1.460/37.08	.600/15.24	.920/23.37		1.06/26.9		C
-210(LF)	2x8			1.560/39.62	.700/17.78	1.020/25.91		1.16/29.4		D
-211(LF)	2x10			1.760/44.70	.900/22.86	1.220/30.99		1.36/34.5		
-212(LF)	2x13			2.060/52.32	1.200/30.48	1.520/38.61		1.66/42.1		
-213(LF)	2x17			2.460/62.48	1.600/40.64	1.920/48.77		2.06/52.3		
-214(LF)	2x20			2.760/70.10	1.900/48.26	2.220/56.39		2.36/59.9		
-215(LF)	2x25			3.260/82.80	2.400/60.96	2.720/69.09		2.86/72.6		
65823-216(LF)	2x30	LP	RND	3.760/95.50	2.900/73.66	3.220/81.79	.150/3.81	3.36/85.3	30u"/.76u GXT/GOLD FLASH	D

mat'l. code				tolerances unless otherwise specified				CUSTOMER COPY		FCI www.fciconnect.com	
ltr	ecn no	dr	date	linear	.XX±.01/.X±.3			projection	title		
AF					.XXX±.005/.XX±.13				HEADER, QUICKIE		
					.XXX±.0020/.XXX±.051				SEA, HORSE, RIGHT ANGLE		
				angles	0°±2°			INCH/MM	product family		code
				dr	J. SHREINER	1/16/90			QUICKIE		-
				enrg	M. SMYK	1/16/90			size/ dwg no		sheet
				chr	M. SMYK	1/16/90			A		9 of 21
				appd	M. SMYK	1/16/90		scale	65823		
				sheet index	revision sheet						
21											

Tous droits strictement reserves. Reproduction ou communication a des tiers interalite sous quelle forme que ce soit sans autorisation ecrite du propriétaire. Propriete de c FCI. Droits de reproduction FCI.



All rights strictly reserved. Reproduction or issue to third parties in any form whatever is not permitted without written authority from the proprietor. Property of FCI. Copyright FCI.

	SIZE	LATCHES NOTE 7	PIN SHAPE	DIM A	DIM B	DIM C	DIM D	DIM E	TERMINAL PLATING NOTE 12	STYLE
65823-217(LF)	2x5	ND	RND	1.260/32.00	.400/10.16	.720/18.29	.105/2.67	.86/21.8	30u" / .76u GXT/GOLD FLASH	A
-218(LF)	2x7			1.460/37.08	.600/15.24	.920/23.37		1.06/26.9		C
-219(LF)	2x8			1.560/39.62	.700/17.78	1.020/25.91		1.16/29.4		D
-220(LF)	2x10			1.760/44.70	.900/22.86	1.220/30.99		1.36/34.5		
-221(LF)	2x13			2.060/52.32	1.200/30.48	1.520/38.61		1.66/42.1		
-222(LF)	2x17			2.460/62.48	1.600/40.64	1.920/48.77		2.06/52.3		
-223(LF)	2x20			2.760/70.10	1.900/48.26	2.220/56.39		2.36/59.9		
-224(LF)	2x25			3.260/82.80	2.400/60.96	2.720/69.09		2.86/72.6		
-225(LF)	2x30		RND	3.760/95.50	2.900/73.66	3.220/81.79	.105/2.67	3.36/85.3		D
-226(LF)	2x5		SQ	1.260/32.00	.400/10.16	.720/18.29	.675/17.15	.86/21.8		A
-227(LF)	2x7			1.460/37.08	.600/15.24	.920/23.37		1.06/26.9		C
-228(LF)	2x8			1.560/39.62	.700/17.78	1.020/25.91		1.16/29.4		D
-229(LF)	2x10			1.760/44.70	.900/22.86	1.220/30.99		1.36/34.5		
-230(LF)	2x13			2.060/52.32	1.200/30.48	1.520/38.61		1.66/42.1		
-231(LF)	2x17			2.460/62.48	1.600/40.64	1.920/48.77		2.06/52.3		
-232(LF)	2x20			2.760/70.10	1.900/48.26	2.220/56.39		2.36/59.9		
-233(LF)	2x25			3.260/82.80	2.400/60.96	2.720/69.09		2.86/72.6		
-234(LF)	2x30	ND	SQ	3.760/95.50	2.900/73.66	3.220/81.79	.675/17.15	3.36/85.3		D
-235(LF)	2x5	STD	RND	1.260/32.00	.400/10.16	.720/18.29	.105/2.67	.86/21.8		A
-236(LF)	2x7			1.460/37.08	.600/15.24	.920/23.37		1.06/26.9		C
-237(LF)	2x8			1.560/39.62	.700/17.78	1.020/25.91		1.16/29.4		D
-238(LF)	2x10			1.760/44.70	.900/22.86	1.220/30.99		1.36/34.5		
-239(LF)	2x13			2.060/52.32	1.200/30.48	1.520/38.61		1.66/42.1		
-240(LF)	2x17			2.460/62.48	1.600/40.64	1.920/48.77		2.06/52.3		
-241(LF)	2x20			2.760/70.10	1.900/48.26	2.220/56.39		2.36/59.9		
-242(LF)	2x25			3.260/82.80	2.400/60.96	2.720/69.09		2.86/72.6		
-243(LF)	2x30		RND	3.760/95.50	2.900/73.66	3.220/81.79	.105/2.67	3.36/85.3		D
-244(LF)	2x5		SQ	1.260/32.00	.400/10.16	.720/18.29	.150/3.81	.86/21.8		A
-245(LF)	2x7			1.460/37.08	.600/15.24	.920/23.37		1.06/26.9		C
-246(LF)	2x8			1.560/39.62	.700/17.78	1.020/25.91		1.16/29.4		D
-247(LF)	2x10			1.760/44.70	.900/22.86	1.220/30.99		1.36/34.5		
-248(LF)	2x13			2.060/52.32	1.200/30.48	1.520/38.61		1.66/42.1		
-249(LF)	2x17			2.460/62.48	1.600/40.64	1.920/48.77		2.06/52.3		
-250(LF)	2x20			2.760/70.10	1.900/48.26	2.220/56.39		2.36/59.9		
-251(LF)	2x25			3.260/82.80	2.400/60.96	2.720/69.09		2.86/72.6		
65823-252(LF)	2x30	STD	SQ	3.760/95.50	2.900/73.66	3.220/81.79	.150/3.81	3.36/85.3	30u" / .76u GXT/GOLD FLASH	D

mat'l. code		tolerances unless otherwise specified		CUSTOMER COPY		 www.fciconnect.com	
ltr	ecn no	dr	date	linear	.XX±.01/.X±.3	projection	
AF							
				angles	0°±2'	INCH/MM	product family QUICKIE
				dr	J. SHREINER 1/16/90		
				enr	M. SMYK 1/16/90	5:1	dwg no
				chr	M. SMYK 1/16/90		
				appd	M. SMYK 1/16/90	sheet	10 of 21
				sheet index	21		

Tous droits strictement reserves. Reproduction ou communication a des tiers interdite sous quelque forme que ce soit sans autorisation ecrite du propriétaire. Propriete de c FCI. Droits de reproduction FCI.



All rights strictly reserved. Reproduction or issue to third parties in any form whatever is not permitted without written authority from the proprietor. Property of FCI. Copyright FCI.

	SIZE	LATCHES NOTE 7	PIN SHAPE	DIM A	DIM B	DIM C	DIM D	DIM E	TERMINAL PLATING NOTE 12	STYLE
65823-253(LF)	2x5	LP	RND	1.260/32.00	.400/10.16	.720/18.29	.105/2.67	.86/21.8	30u"/.76u GXT/GOLD FLASH	A
-254(LF)	2x7			1.460/37.08	.600/15.24	.920/23.37		1.06/26.9		C
-255(LF)	2x8			1.560/39.62	.700/17.78	1.020/25.91		1.16/29.4		D
-256(LF)	2x10			1.760/44.70	.900/22.86	1.220/30.99		1.36/34.5		
-257(LF)	2x13			2.060/52.32	1.200/30.48	1.520/38.61		1.66/42.1		
-258(LF)	2x17			2.460/62.48	1.600/40.64	1.920/48.77		2.06/52.3		
-259(LF)	2x20			2.760/70.10	1.900/48.26	2.220/56.39		2.36/59.9		
-260(LF)	2x25			3.260/82.80	2.400/60.96	2.720/69.09		2.86/72.6		
-261(LF)	2x30		RND	3.760/95.50	2.900/73.66	3.220/81.79	.105/2.67	3.36/85.3		D
-262(LF)	2x5		SQ	1.260/32.00	.400/10.16	.720/18.29	.675/17.15	.86/21.8		A
-263(LF)	2x7			1.460/37.08	.600/15.24	.920/23.37		1.06/26.9		C
-264(LF)	2x8			1.560/39.62	.700/17.78	1.020/25.91		1.16/29.4		D
-265(LF)	2x10			1.760/44.70	.900/22.86	1.220/30.99		1.36/34.5		
-266(LF)	2x13			2.060/52.32	1.200/30.48	1.520/38.61		1.66/42.1		
-267(LF)	2x17			2.460/62.48	1.600/40.64	1.920/48.77		2.06/52.3		
-268(LF)	2x20			2.760/70.10	1.900/48.26	2.220/56.39		2.36/59.9		
-269(LF)	2x25			3.260/82.80	2.400/60.96	2.720/69.09		2.86/72.6		
-270(LF)	2x30	LP	SQ	3.760/95.50	2.900/73.66	3.220/81.79	.675/17.15	3.36/85.3	30u"/.76u GXT/GOLD FLASH	D
-271(LF)	2x5	ND	RND	1.260/32.00	.400/10.16	.720/18.29	.105/2.67	.86/21.8	15u"/.38u Au OVER 50u"/1.27u Ni	A
-272(LF)	2x7			1.460/37.08	.600/15.24	.920/23.37		1.06/26.9		C
-273(LF)	2x8			1.560/39.62	.700/17.78	1.020/25.91		1.16/29.4		D
-274(LF)	2x10			1.760/44.70	.900/22.86	1.220/30.99		1.36/34.5		
-275(LF)	2x13			2.060/52.32	1.200/30.48	1.520/38.61		1.66/42.1		
-276(LF)	2x17			2.460/62.48	1.600/40.64	1.920/48.77		2.06/52.3		
-277(LF)	2x20			2.760/70.10	1.900/48.26	2.220/56.39		2.36/59.9		
-278(LF)	2x25			3.260/82.80	2.400/60.96	2.720/69.09		2.86/72.6		
-279(LF)	2x30			3.760/95.50	2.900/73.66	3.220/81.79	.105/2.67	3.36/85.3		D
-280(LF)	2x5			1.260/32.00	.400/10.16	.720/18.29	.150/3.81	.86/21.8		A
-281(LF)	2x7			1.460/37.08	.600/15.24	.920/23.37		1.06/26.9		C
-282(LF)	2x8			1.560/39.62	.700/17.78	1.020/25.91		1.16/29.4		D
-283(LF)	2x10			1.760/44.70	.900/22.86	1.220/30.99		1.36/34.5		
-284(LF)	2x13			2.060/52.32	1.200/30.48	1.520/38.61		1.66/42.1		
-285(LF)	2x17			2.460/62.48	1.600/40.64	1.920/48.77		2.06/52.3		
-286(LF)	2x20			2.760/70.10	1.900/48.26	2.220/56.39		2.36/59.9		
-287(LF)	2x25			3.260/82.80	2.400/60.96	2.720/69.09		2.86/72.6		
65823-288(LF)	2x30	ND	RND	3.760/95.50	2.900/73.66	3.220/81.79	.150/3.81	3.36/85.3	15u"/.38u Au OVER 50u"/1.27u Ni	D

mat'l. code				tolerances unless otherwise specified				CUSTOMER COPY		 www.fciconnect.com		
ltr	ecn no	dr	date	linear	.XX±.01/.X±.3				projection	title		
AF					.XXX±.005/.XX±.13					HEADER, QUICKIE		
					.XXX±.0020/.XXX±.051					SEA, HORSE, RIGHT ANGLE		
					angles	0°±2'				product family QUICKIE		
					dr	J. SHREINER	1/16/90			INCH/MM		code
				enr	M. SMYK	1/16/90		scale		size		
				chr	M. SMYK	1/16/90		5:1		dwg no		
				appd	M. SMYK	1/16/90		A		65823		
sheet index	21	revision sheet								sheet 11 of 21		

Tous droits strictement reserves. Reproduction ou communication a des tiers interalite sous quelque forme que ce soit sans autorisation ecrite du proprietaire. Propriete de c FCI. Droits de reproduction FCI.



All rights strictly reserved. Reproduction or issue to third parties in any form whatever is not permitted without written authority from the proprietor. Property of FCI. Copyright FCI.

	SIZE	LATCHES NOTE 7	PIN SHAPE	DIM A	DIM B	DIM C	DIM D	DIM E	TERMINAL PLATING NOTE 12	STYLE
65823-289(LF)	2x5	ND	SQ	1.260/32.00	.400/10.16	.720/18.29	.105/2.67	.86/21.8	15u".38u Au OVER 50u"/1.27u Ni	A
-290(LF)	2x7			1.460/37.08	.600/15.24	.920/23.37		1.06/26.9		C
-291(LF)	2x8			1.560/39.62	.700/17.78	1.020/25.91		1.16/29.4		D
-292(LF)	2x10			1.760/44.70	.900/22.86	1.220/30.99		1.36/34.5		
-293(LF)	2x13			2.060/52.32	1.200/30.48	1.520/38.61		1.66/42.1		
-294(LF)	2x17			2.460/62.48	1.600/40.64	1.920/48.77		2.06/52.3		
-295(LF)	2x20			2.760/70.10	1.900/48.26	2.220/56.39		2.36/59.9		
-296(LF)	2x25			3.260/82.80	2.400/60.96	2.720/69.09		2.86/72.6		
-297(LF)	2x30	ND	SQ	3.760/95.50	2.900/73.66	3.220/81.79	.105/2.67	3.36/85.3		D
-298(LF)	2x5	STD	RND	1.260/32.00	.400/10.16	.720/18.29	.675/17.15	.86/21.8		A
-299(LF)	2x7			1.460/37.08	.600/15.24	.920/23.37		1.06/26.9		C
-300(LF)	2x8			1.560/39.62	.700/17.78	1.020/25.91		1.16/29.4		D
-301(LF)	2x10			1.760/44.70	.900/22.86	1.220/30.99		1.36/34.5		
-302(LF)	2x13			2.060/52.32	1.200/30.48	1.520/38.61		1.66/42.1		
-303(LF)	2x17			2.460/62.48	1.600/40.64	1.920/48.77		2.06/52.3		
-304(LF)	2x20			2.760/70.10	1.900/48.26	2.220/56.39		2.36/59.9		
-305(LF)	2x25			3.260/82.80	2.400/60.96	2.720/69.09		2.86/72.6		
-306(LF)	2x30			3.760/95.50	2.900/73.66	3.220/81.79	.675/17.15	3.36/85.3		D
-307(LF)	2x5			1.260/32.00	.400/10.16	.720/18.29	.105/2.67	.86/21.8		A
-308(LF)	2x7			1.460/37.08	.600/15.24	.920/23.37		1.06/26.9		C
-309(LF)	2x8			1.560/39.62	.700/17.78	1.020/25.91		1.16/29.4		D
-310(LF)	2x10			1.760/44.70	.900/22.86	1.220/30.99		1.36/34.5		
-311(LF)	2x13			2.060/52.32	1.200/30.48	1.520/38.61		1.66/42.1		
-312(LF)	2x17			2.460/62.48	1.600/40.64	1.920/48.77		2.06/52.3		
-313(LF)	2x20			2.760/70.10	1.900/48.26	2.220/56.39		2.36/59.9		
-314(LF)	2x25			3.260/82.80	2.400/60.96	2.720/69.09		2.86/72.6		
-315(LF)	2x30		RND	3.760/95.50	2.900/73.66	3.220/81.79	.105/2.67	3.36/85.3		D
-316(LF)	2x5		SQ	1.260/32.00	.400/10.16	.720/18.29	.150/3.81	.86/21.8		A
-317(LF)	2x7			1.460/37.08	.600/15.24	.920/23.37		1.06/26.9		C
-318(LF)	2x8			1.560/39.62	.700/17.78	1.020/25.91		1.16/29.4		D
-319(LF)	2x10			1.760/44.70	.900/22.86	1.220/30.99		1.36/34.5		
-320(LF)	2x13			2.060/52.32	1.200/30.48	1.520/38.61		1.66/42.1		
-311(LF)	2x17			2.460/62.48	1.600/40.64	1.920/48.77		2.06/52.3		
-312(LF)	2x20			2.760/70.10	1.900/48.26	2.220/56.39		2.36/59.9		
-313(LF)	2x25			3.260/82.80	2.400/60.96	2.720/69.09		2.86/72.6		
65823-313(LF)	2x30	STD	SQ	3.760/95.50	2.900/73.66	3.220/81.79	.150/3.81	3.36/85.3	15u".38u Au OVER 50u"/1.27u Ni	D

mat'l. code		tolerances unless otherwise specified		CUSTOMER COPY	 www.fciconnect.com
ltr	ecn no	dr	date	linear	
AF				.XX±.01/.X±.3	projection
				.XXX±.005/.XX±.13	
				.XXX±.0020/.XXX±.051	INCH/MM
				angles	0°±2°
				dr	J. SHREINER 1/16/90
				enr	M. SMYK 1/16/90
				chr	M. SMYK 1/16/90
				appd	M. SMYK 1/16/90
				scale	5:1
sheet	revision			product family	QUICKIE
21	index	sheet		size	dwg no
				code	-
				sheet	12 of 21
				title	HEADER, QUICKIE SEA, HORSE, RIGHT ANGLE
				product family	QUICKIE
				code	-
				size	65823
				sheet	12 of 21



	SIZE	LATCHES NOTE 7	PIN SHAPE	DIM A	DIM B	DIM C	DIM D	DIM E	TERMINAL PLATING NOTE 12	STYLE
65823-325 (LF)	2x5	LP	RND	1.260/32.00	.400/10.16	.720/18.29	.105/2.67	.86/21.8	15u"/.38u Au DVER 50u"/1.27u Ni	A
-326 (LF)	2x7			1.460/37.08	.600/15.24	.920/23.37		1.06/26.9		C
-327 (LF)	2x8			1.560/39.62	.700/17.78	1.020/25.91		1.16/29.4		D
-328 (LF)	2x10			1.760/44.70	.900/22.86	1.220/30.99		1.36/34.5		
-329 (LF)	2x13			2.060/52.32	1.200/30.48	1.520/38.61		1.66/42.1		
-330 (LF)	2x17			2.460/62.48	1.600/40.64	1.920/48.77		2.06/52.3		
-331 (LF)	2x20			2.760/70.10	1.900/48.26	2.220/56.39		2.36/59.9		
-332 (LF)	2x25			3.260/82.80	2.400/60.96	2.720/69.09		2.86/72.6		
-333 (LF)	2x30			3.760/95.50	2.900/73.66	3.220/81.79	.105/2.67	3.36/85.3		D
-334 (LF)	2x5			1.260/32.00	.400/10.16	.720/18.29	.150/3.81	.86/21.8		A
-335 (LF)	2x7			1.460/37.08	.600/15.24	.920/23.37		1.06/26.9		C
-336 (LF)	2x8			1.560/39.62	.700/17.78	1.020/25.91		1.16/29.4		D
-337 (LF)	2x10			1.760/44.70	.900/22.86	1.220/30.99		1.36/34.5		
-338 (LF)	2x13			2.060/52.32	1.200/30.48	1.520/38.61		1.66/42.1		
-339 (LF)	2x17			2.460/62.48	1.600/40.64	1.920/48.77		2.06/52.3		
-340 (LF)	2x20			2.760/70.10	1.900/48.26	2.220/56.39		2.36/59.9		
-341 (LF)	2x25			3.260/82.80	2.400/60.96	2.720/69.09		2.86/72.6		
-342 (LF)	2x30		RND	3.760/95.50	2.900/73.66	3.220/81.79	.150/3.81	3.36/85.3		D
-343 (LF)	2x5		SQ	1.260/32.00	.400/10.16	.720/18.29	.675/17.15	.86/21.8		A
-344 (LF)	2x7			1.460/37.08	.600/15.24	.920/23.37		1.06/26.9		C
-345 (LF)	2x8			1.560/39.62	.700/17.78	1.020/25.91		1.16/29.4		D
-346 (LF)	2x10			1.760/44.70	.900/22.86	1.220/30.99		1.36/34.5		
-347 (LF)	2x13			2.060/52.32	1.200/30.48	1.520/38.61		1.66/42.1		
-348 (LF)	2x17			2.460/62.48	1.600/40.64	1.920/48.77		2.06/52.3		
-349 (LF)	2x20			2.760/70.10	1.900/48.26	2.220/56.39		2.36/59.9		
-350 (LF)	2x25			3.260/82.80	2.400/60.96	2.720/69.09		2.86/72.6		
-351 (LF)	2x30	LP	SQ	3.760/95.50	2.900/73.66	3.220/81.79	.675/17.15	3.36/85.3	15u"/.38u Au DVER 50u"/1.27u Ni	
-352 (LF)	2x25	66258	RND	3.260/82.80	2.400/60.96	2.720/69.09	.105/2.67	2.86/72.6	30u"/.76u Au DVER 50u"/1.27u Ni	D
-353 (LF)	2x7	ND		1.460/37.08	.600/15.24	.920/23.37		1.06/26.9		C
-354 (LF)	2x8			1.560/39.62	.700/17.78	1.020/25.91		1.16/29.4		D
-355 (LF)	2x10			1.760/44.70	.900/22.86	1.220/30.99		1.36/34.5		
-356 (LF)	2x13			2.060/52.32	1.200/30.48	1.520/38.61		1.66/42.1		
-357 (LF)	2x17			2.460/62.48	1.600/40.64	1.920/48.77		2.06/52.3		
-358 (LF)	2x20			2.760/70.10	1.900/48.26	2.220/56.39		2.36/59.9		
-359 (LF)	2x25			3.260/82.80	2.400/60.96	2.720/69.09		2.86/72.6		
65823-360 (LF)	2x30	ND	RND	3.760/95.50	2.900/73.66	3.220/81.79	.105/2.67	3.36/85.3	30u"/.76u Au DVER 50u"/1.27u Ni	D

*CUSTOMER SPECIAL

mat'l. code				tolerances unless otherwise specified				CUSTOMER COPY		 www.fciconnect.com		
ltr	ecn no	dr	date	linear	.XX±.01/.X±.3				projection		title	
AF					.XXX±.005/.XX±.13						HEADER, QUICKIE	
					.XXX±.0020/.XXX±.051				INCH/MM		SEA, HORSE, RIGHT ANGLE	
					0°±2°				scale		product family QUICKIE	
				dr	J. SHREINER	1/16/90		5:1		code		
				enr	M. SMYK	1/16/90		A		-		
				chr	M. SMYK	1/16/90		A		sheet		
				appd	M. SMYK	1/16/90		65823		13 of 21		
sheet index	21	revision sheet										

Tous droits strictement reserves. Reproduction ou communication a des tiers interdite sous quelque forme que ce soit sans autorisation écrite du propriétaire. Propriete de c FCI. Droits de reproduction FCI.



All rights strictly reserved. Reproduction or issue to third parties in any form whatever is not permitted without written authority from the proprietor. Property of FCI. Copyright FCI.

	SIZE	LATCHES NOTE 7	PIN SHAPE	DIM A	DIM B	DIM C	DIM D	DIM E	TERMINAL PLATING NOTE 12	STYLE
65823-361(LF)	2x5	ND	RND	1.260/32.00	.400/10.16	.720/18.29	.105/2.67	.86/21.8	30u"/.76u Au OVER 50u"/.1.27u Ni	A
-362(LF)		ND	RND						30u"/.76u Au OVER 50u"/.1.27u Ni	B
-363(LF)		ND	RND						15"/.38u Au OVER 50u"/.1.27u Ni	
-364(LF)		ND	RND						30u"/.76u GXT/GOLD FLASH	
-365(LF)		ND	SQ						150u"/3.81u Sn	
-366(LF)		STD	RND						30u"/.76u Au OVER 50u"/.1.27u Ni	
-367(LF)		STD	RND						15"/.38u Au OVER 50u"/.1.27u Ni	
-368(LF)		STD	RND						30u"/.76u GXT/GOLD FLASH	
-369(LF)		STD	SQ						150u"/3.81u Sn	
-370(LF)		LP	RND						30u"/.76u Au OVER 50u"/.1.27u Ni	
-371(LF)		LP	RND						15"/.38u Au OVER 50u"/.1.27u Ni	
-372(LF)		LP	RND						30u"/.76u GXT/GOLD FLASH	
-373(LF)		LP	SQ				.105/2.67		150u"/3.81u Sn	
-374(LF)		ND	RND				.150/3.81		30u"/.76u Au OVER 50u"/.1.27u Ni	
-375(LF)		ND	RND						15"/.38u Au OVER 50u"/.1.27u Ni	
-376(LF)		ND	RND						30u"/.76u GXT/GOLD FLASH	
-377(LF)		ND	SQ						150u"/3.81u Sn	
-378(LF)		STD	RND						30u"/.76u Au OVER 50u"/.1.27u Ni	
-379(LF)		STD	RND						15"/.38u Au OVER 50u"/.1.27u Ni	
-380(LF)		STD	RND						30u"/.76u GXT/GOLD FLASH	
-381(LF)		STD	SQ						150u"/3.81u Sn	
-382(LF)		LP	RND						30u"/.76u Au OVER 50u"/.1.27u Ni	
-383(LF)		LP	RND						15"/.38u Au OVER 50u"/.1.27u Ni	
-384(LF)		LP	RND						30u"/.76u GXT/GOLD FLASH	
-385(LF)		LP	SQ				.150/3.81		150u"/3.81u Sn	
-386(LF)		ND	SQ				.675/17.15		30u"/.76u Au OVER 50u"/.1.27u Ni	
-387(LF)		ND							15"/.38u Au OVER 50u"/.1.27u Ni	
-388(LF)		ND							30u"/.76u GXT/GOLD FLASH	
-389(LF)		ND							150u"/3.81u Sn	
-390(LF)		STD							30u"/.76u Au OVER 50u"/.1.27u Ni	
-391(LF)		STD							15"/.38u Au OVER 50u"/.1.27u Ni	
-392(LF)		STD							30u"/.76u GXT/GOLD FLASH	
-393(LF)		STD							150u"/3.81u Sn	
-394(LF)		LP							30u"/.76u Au OVER 50u"/.1.27u Ni	
-395(LF)		LP							15"/.38u Au OVER 50u"/.1.27u Ni	
65823-396(LF)	2x5	LP	SQ	1.260/32.00	.400/10.16	.720/18.29	.675/17.15	.86/21.8	30u"/.76u GXT/GOLD FLASH	B

*

*CUSTOMER SPECIAL

mat'l. code				tolerances unless otherwise specified				CUSTOMER COPY		FCI www.fciconnect.com		
ltr	ecn no	dr	date	linear	.XX±.01/.X±.3			projection	title			
AF					.XXX±.005/.XX±.13				HEADER, QUICKIE			
					.XXX±.0020/.XXX±.051				SEA, HORSE, RIGHT ANGLE			
					angles	0°±2°			product family QUICKIE			
					dr	J. SHREINER	1/16/90		INCH/MM		code	
				enr	M. SMYK	1/16/90	scale		size			
				chr	M. SMYK	1/16/90	5:1		sheet			
				appd	M. SMYK	1/16/90			14of 21			
sheet index		revision sheet										
21												

Tous droits strictement reserves. Reproduction ou communication a des tiers interdite sous quelque forme que ce soit sans autorisation ecrite du propriétaire. Propriete de c FCI. Droits de reproduction FCI.



All rights strictly reserved. Reproduction or issue to third parties in any form whatever is not permitted without written authority from the proprietor. Property of FCI. Copyright FCI.

	SIZE	LATCHES NOTE 7	PIN SHAPE	DIM A	DIM B	DIM C	DIM D	DIM E	TERMINAL PLATING NOTE 12	STYLE
65823-397(LF)	2x5	LP	SQ	1.260/32.00	.400/10.16	.720/18.29	.675/17.15	.86/21.8	150u"/3.81u Sn	B
-398(LF)	2x10	66258-001	RND	1.760/44.70	.900/22.86	1.220/30.99	.105/2.67	1.36/34.5	30u"/.76u Au OVER 50u"/1.27u Ni	D
-399(LF)	2x5	ND	SQ	1.260/32.00	.400/10.16	.720/18.29	.105/2.67	.86/21.8	15u"/.38u Au OVER 50u"/1.27u Ni	A
-400(LF)		STD					.105/2.67			
-401(LF)		LP					.105/2.67			
-402(LF)		ND					.150/3.81			
-403(LF)		STD					.150/3.81			
-404(LF)		LP					.150/3.81			A
-405(LF)		ND					.105/2.67			B
-406(LF)		STD					.105/2.67			
-407(LF)		LP					.105/2.67			
-408(LF)		ND					.150/3.81			
-409(LF)		STD					.150/3.81			
-410(LF)	2x5	LP		1.260/32.00	.400/10.16	.720/18.29	.150/3.81	.86/21.8		B
-411(LF)	2x7	ND		1.460/37.08	.600/15.24	.920/23.37	.105/2.67	1.06/26.9		C
-412(LF)		STD					.105/2.67			
-413(LF)		LP					.105/2.67			
-414(LF)		ND					.150/3.81			
-415(LF)		STD					.150/3.81			
-416(LF)	2x7	LP		1.460/37.08	.600/15.24	.920/23.37	.150/3.81	1.06/26.9		C
-417(LF)	2x8	ND		1.560/39.62	.700/17.78	1.020/25.91	.105/2.67	1.16/29.4		D
-418(LF)		STD					.105/2.67			
-419(LF)		LP					.105/2.67			
-420(LF)		ND					.150/3.81			
-421(LF)		STD					.150/3.81			
-422(LF)	2x8	LP		1.560/39.62	.700/17.78	1.020/25.91	.150/3.81	1.16/29.4		
-423(LF)	2x10	ND		1.760/44.70	.900/22.86	1.220/30.99	.105/2.67	1.36/34.5		
-424(LF)		STD					.105/2.67			
-425(LF)		LP					.105/2.67			
-426(LF)		ND					.150/3.81			
-427(LF)		STD					.150/3.81			
-428(LF)	2x10	LP		1.760/44.70	.900/22.86	1.220/30.99	.150/3.81	1.36/34.5		
-429(LF)	2x13	ND		2.060/52.32	1.200/30.48	1.520/38.61	.105/2.67	1.66/42.1		
-430(LF)		STD					.105/2.67			
-431(LF)		LP					.105/2.67			
65823-432(LF)	2x13	ND	SQ	2.060/52.32	1.200/30.48	1.520/38.61	.150/3.81	1.66/42.1	15u"/.38u Au OVER 50u"/1.27u Ni	D

mat'l. code				tolerances unless otherwise specified		CUSTOMER COPY		FCI www.fciconnect.com	
ltr	ecn no	dr	date	linear	.XX±.01/.X±.3		projection	title HEADER, QUICKIE SEA, HORSE, RIGHT ANGLE	
AF					.XXX±.005/.XX±.13				
				angles	.XXX±.0020/.XXX±.051		INCH/MM	product family QUICKIE	
					0°±2°				
				dr	J. SHREINER	1/16/90	scale 5:1	size A	
				enr	M. SMYK	1/16/90			
				chr	M. SMYK	1/16/90			
				appd	M. SMYK	1/16/90			
sheet index	21	revision sheet						code -	
								sheet 15 of 21	



	SIZE	LATCHES NOTE 7	PIN SHAPE	DIM A	DIM B	DIM C	DIM D	DIM E	TERMINAL PLATING NOTE 12	STYLE
65823-433(LF)	2x13	STD	SQ	2.060/52.32	1.200/30.48	1.520/38.61	.150/3.81	1.66/42.1	15u" / .38u Au OVER 50u" / 1.27u Ni	D
-434(LF)	2x13	LP		2.060/52.32	1.200/30.48	1.520/38.61	.150/3.81	1.66/42.1		
-435(LF)	2x17	ND		2.460/62.48	1.600/40.64	1.920/48.77	.105/2.67	2.06/52.3		
-436(LF)		STD					.105/2.67			
-437(LF)		LP					.105/2.67			
-438(LF)		ND					.150/3.81			
-439(LF)		STD					.150/3.81			
-440(LF)	2x17	LP		2.460/62.48	1.600/40.64	1.920/48.77	.150/3.81	2.06/52.3		
-441(LF)	2x20	ND		2.760/70.10	1.900/48.26	2.220/56.39	.105/2.67	2.36/59.9		
-442(LF)		STD					.105/2.67			
-443(LF)		LP					.105/2.67			
-444(LF)		ND					.150/3.81			
-445(LF)		STD					.150/3.81			
-446(LF)	2x20	LP		2.760/70.10	1.900/48.26	2.220/56.39	.150/3.81	2.36/59.9		
-447(LF)	2x25	ND		3.260/82.80	2.400/60.96	2.720/69.09	.105/2.67	2.86/72.6		
-448(LF)		STD					.105/2.67			
-449(LF)		LP					.105/2.67			
-450(LF)		ND					.150/3.81			
-451(LF)		STD					.150/3.81			
-452(LF)	2x25	LP		3.260/82.80	2.400/60.96	2.720/69.09	.150/3.81	2.86/72.6		
-453(LF)	2x30	ND		3.760/95.50	2.900/73.66	3.220/81.79	.105/2.67	3.36/85.3		
-454(LF)		STD					.105/2.67			
-455(LF)		LP					.105/2.67			
-456(LF)		ND					.150/3.81			
-457(LF)		STD					.150/3.81			
-458(LF)	2x30	LP	SQ	3.760/95.50	2.900/73.66	3.220/81.79	.150/3.81	3.36/85.3		
-459(LF)	2x12	ND	RND	1.960/49.80	1.100/27.94	1.420/36.07	.105/2.67	1.56/39.6		
-460(LF)		STD								
-461(LF)		LP							15u" / .38u Au OVER 50u" / 1.27u Ni	
-462(LF)		ND							30u" / .76u Au OVER 50u" / 1.27u Ni	
-463(LF)		STD							30u" / .76u Au OVER 50u" / 1.27u Ni	
-464(LF)		LP							30u" / .76u Au OVER 50u" / 1.27u Ni	
-465(LF)		ND							30u" / .76u GXT/GOLD FLASH	
-466(LF)		STD							30u" / .76u GXT/GOLD FLASH	
-467(LF)		LP	RND						30u" / .76u GXT/GOLD FLASH	
65823-468(LF)	2x12	ND	SQ	1.960/49.80	1.100/27.94	1.420/36.07	.105/2.67	1.56/39.6	150u" / 3.81u Sn	D

mat'l. code				tolerances unless otherwise specified		CUSTOMER COPY		FCI www.fciconnect.com		
ltr	ecn no	dr	date	linear	.XX±.01/.X±.3		projection ⊕	title HEADER, QUICKIE		
AF					.XXX±.005/.XX±.13			SEA, HORSE, RIGHT ANGLE		
					.XXX±.0020/.XXX±.051			product family QUICKIE		
				angles	0°±2°		INCH/MM ←→	code -		
				dr	J. SHREINER	1/16/90		scale 5:1	product size A	
				enr	M. SMYK	1/16/90			sheet 16 of 21	
				chr	M. SMYK	1/16/90				
				appd	M. SMYK	1/16/90				
sheet index		revision sheet								
21										

Tous droits strictement reserves. Reproduction ou communication a des tiers interalite sous quelque forme que ce soit sans autorisation ecrite du propriétaire. Propriete de c FCI. Droits de reproduction FCI.



All rights strictly reserved. Reproduction or issue to third parties in any form whatever is not permitted without written authority from the proprietor. Property of FCI. Copyright FCI.

	SIZE	LATCHES NOTE 7	PIN SHAPE	DIM A	DIM B	DIM C	DIM D	DIM E	TERMINAL PLATING NOTE 12	STYLE
65823-469(LF)	2x12	STD	SQ	1.960/49.80	1.100/27.94	1.420/36.07	.105/2.67	1.56/39.62	150u"/3.81u TIN	D
-470(LF)		LP	SQ				.105/2.67		150u"/3.81u TIN	
-471(LF)		ND	RND				.150/3.81		15u"/.38u Au OVER 50u"/1.27u Ni	
-472(LF)		STD							15u"/.38u Au OVER 50u"/1.27u Ni	
-473(LF)		LP							15u"/.38u Au OVER 50u"/1.27u Ni	
-474(LF)		ND							30u"/.76u Au OVER 50u"/1.27u Ni	
-475(LF)		STD							30u"/.76u Au OVER 50u"/1.27u Ni	
-476(LF)		LP							30u"/.76u Au OVER 50u"/1.27u Ni	
-477(LF)		ND							30u"/.76u GXT/GOLD FLASH	
-478(LF)		STD							30u"/.76u GXT/GOLD FLASH	
-479(LF)		LP	RND						30u"/.76u GXT/GOLD FLASH	
-480(LF)		ND	SQ						150u"/3.81u TIN	
-481(LF)		STD							150u"/3.81u TIN	
-482(LF)		LP					.150/3.81		150u"/3.81u TIN	
-483(LF)		ND					.105/2.67		15u"/.38u Au OVER 50u"/1.27u Ni	
-484(LF)		STD							15u"/.38u Au OVER 50u"/1.27u Ni	
-485(LF)		LP							15u"/.38u Au OVER 50u"/1.27u Ni	
-486(LF)		ND							30u"/.76u Au OVER 50u"/1.27u Ni	
-487(LF)		STD							30u"/.76u Au OVER 50u"/1.27u Ni	
-488(LF)		LP							30u"/.76u Au OVER 50u"/1.27u Ni	
-489(LF)		ND							15u"/.38u Au OVER 50u"/1.27u Ni	
-490(LF)		STD							15u"/.38u Au OVER 50u"/1.27u Ni	
-491(LF)		LP					.105/2.67		15u"/.38u Au OVER 50u"/1.27u Ni	
-492(LF)		ND					.675/17.15		15u"/.38u Au OVER 50u"/1.27u Ni	
-493(LF)		STD							15u"/.38u Au OVER 50u"/1.27u Ni	
-494(LF)		LP							15u"/.38u Au OVER 50u"/1.27u Ni	
-495(LF)		ND							30u"/.76u Au OVER 50u"/1.27u Ni	
-496(LF)		STD							30u"/.76u Au OVER 50u"/1.27u Ni	
-497(LF)		LP							30u"/.76u Au OVER 50u"/1.27u Ni	
-498(LF)		ND							30u"/.76u GXT/GOLD FLASH	
-499(LF)		STD							30u"/.76u GXT/GOLD FLASH	
-500(LF)		LP							30u"/.76u GXT/GOLD FLASH	
-501(LF)		ND							150u"/3.81u TIN	
-502(LF)		STD							150u"/3.81u TIN	
-503(LF)	2x12	LP	SQ	1.960/49.80	1.100/27.94	1.420/36.07	.675/17.15	1.56/39.62	150u"/3.81u TIN	
65823-504(LF)	2x15	ND	RND	2.260/57.40	1.400/35.56	1.720/43.69	.105/2.67	1.86/47.24	15u"/.38u Au OVER 50u"/1.27u Ni	D

mat'l. code		tolerances unless otherwise specified		CUSTOMER COPY		FCI www.fciconnect.com	
ltr	ecn no	dr	date	linear	.XX±.01/.X±.3	projection	title
AF					.XXX±.005/.XX±.13		HEADER, QUICKIE
				angles	.XXX±.0020/.XXX±.051		SEA, HORSE, RIGHT ANGLE
				dr	J. SHREINER 1/16/90	INCH/MM	product family
				enr	M. SMYK 1/16/90		QUICKIE
				chr	M. SMYK 1/16/90		code
				appd	M. SMYK 1/16/90		—
						scale	size
						5:1	65823
							sheet
							17 of 21

sheet index	revision sheet
21	

Tous droits strictement reserves. Reproduction ou communication a des tiers interdite sous quelque forme que ce soit sans autorisation ecrite du propriétaire. Propriete de c FCI. Droits de reproduction FCI.



All rights strictly reserved. Reproduction or issue to third parties in any form whatever is not permitted without written authority from the proprietor. Property of FCI. Copyright FCI.

	SIZE	LATCHES NOTE 7	PIN SHAPE	DIM A	DIM B	DIM C	DIM D	DIM E	TERMINAL PLATING NOTE 12	STYLE
65823-505(LF)	2x15	STD	RND	2.260/57.40	1.400/35.56	1.720/43.69	.105/2.67	1.86/47.2	15u"/.38u Au OVER 50u"/1.27u Ni	D
-506(LF)		LP							15u"/.38u Au OVER 50u"/1.27u Ni	
-507(LF)		ND							30u"/.76u Au OVER 50u"/1.27u Ni	
-508(LF)		STD							30u"/.76u Au OVER 50u"/1.27u Ni	
-509(LF)		LP							30u"/.76u Au OVER 50u"/1.27u Ni	
-510(LF)		ND							30u"/.76u GXT GOLD FLASH	
-511(LF)		STD							30u"/.76u GXT GOLD FLASH	
-512(LF)		LP	RND						30u"/.76u GXT GOLD FLASH	
-513(LF)		ND	SQ						150u"/3.81u TIN	
-514(LF)		STD	SQ						150u"/3.81u TIN	
-515(LF)		LP	SQ				.105/2.67		150u"/3.81u TIN	
-516(LF)		ND	RND				.150/3.81		15u"/.38u Au OVER 50u"/1.27u Ni	
-517(LF)		STD							15u"/.38u Au OVER 50u"/1.27u Ni	
-518(LF)		LP							15u"/.38u Au OVER 50u"/1.27u Ni	
-519(LF)		ND							30u"/.76u Au OVER 50u"/1.27u Ni	
-520(LF)		STD							30u"/.76u Au OVER 50u"/1.27u Ni	
-521(LF)		LP							30u"/.76u Au OVER 50u"/1.27u Ni	
-522(LF)		ND							30u"/.76u GXT GOLD FLASH	
-523(LF)		STD							30u"/.76u GXT GOLD FLASH	
-524(LF)		LP	RND						30u"/.76u GXT GOLD FLASH	
-525(LF)		ND	SQ						150u"/3.81u TIN	
-526(LF)		STD							150u"/3.81u TIN	
-527(LF)		LP					.150/3.81		150u"/3.81u TIN	
-528(LF)		ND					.105/2.67		15u"/.38u Au OVER 50u"/1.27u Ni	
-529(LF)		STD							15u"/.38u Au OVER 50u"/1.27u Ni	
-530(LF)		LP							15u"/.38u Au OVER 50u"/1.27u Ni	
-531(LF)		ND							30u"/.76u Au OVER 50u"/1.27u Ni	
-532(LF)		STD							30u"/.76u Au OVER 50u"/1.27u Ni	
-533(LF)		LP					.105/2.67		30u"/.76u Au OVER 50u"/1.27u Ni	
-534(LF)		ND					.150/3.81		15u"/.38u Au OVER 50u"/1.27u Ni	
-535(LF)		STD					.150/3.81		15u"/.38u Au OVER 50u"/1.27u Ni	
-536(LF)		LP					.150/3.81		15u"/.38u Au OVER 50u"/1.27u Ni	
-537(LF)		ND					.675/17.15		15u"/.38u Au OVER 50u"/1.27u Ni	
-538(LF)		STD							15u"/.38u Au OVER 50u"/1.27u Ni	
-539(LF)		LP							15u"/.38u Au OVER 50u"/1.27u Ni	
65823-540(LF)	2x15	ND	SQ	2.260/57.40	1.400/35.56	1.720/43.69	.675/17.15	1.86/47.2	30u"/.76u Au OVER 50u"/1.27u Ni	D

mat'l. code				tolerances unless otherwise specified				CUSTOMER COPY		 www.fciconnect.com	
ltr	ecn no	dr	date	linear	.XX±.01/.X±.3			projection	 INCH/MM		title HEADER, QUICKIE SEA, HORSE, RIGHT ANGLE
AF					.XXX±.005/.XX±.13						
				angles	.XXX±.0020/.XXX±.051			 scale	product family QUICKIE		code -
					0±2'						
				dr	J. SHREINER	1/16/90	5:1	A	size 65823		sheet 18 of 21
				enr	M. SMYK	1/16/90					
				chr	M. SMYK	1/16/90					
				appd	M. SMYK	1/16/90					
21	sheet index	revision sheet									



	SIZE	LATCHES NOTE 7	PIN SHAPE	DIM A	DIM B	DIM C	DIM D	DIM E	TERMINAL PLATING NOTE 12	STYLE
65823-541(LF)	2x15	STD	SQ	2.260/57.40	1.400/35.56	1.720/48.69	.675/17.15	1.86/47.2	30u" / .76u Au OVER 50u" / 1.27u Ni	D
-542(LF)		LP							30u" / .76u Au OVER 50u" / 1.27u Ni	
-543(LF)		ND							30u" / .76u GXT/GOLD FLASH	
-544(LF)		STD							30u" / .76u GXT/GOLD FLASH	
-545(LF)		LP							30u" / .76u GXT/GOLD FLASH	
-546(LF)		ND							150u" / 3.81u TIN	
-547(LF)		STD							150u" / 3.81u TIN	
-548(LF)	2x15	LP	SQ	2.260/57.40	1.400/35.56	1.720/43.69	.675/17.15	1.86/47.2	150u" / 3.81u TIN	
-549(LF)	2x22	ND	RND	2.960/75.20	2.100/53.34	2.420/61.47	.105/2.67	2.56/65.0	15u" / .38u Au OVER 50u" / 1.27u Ni	
-550(LF)		STD							15u" / .38u Au OVER 50u" / 1.27u Ni	
-551(LF)		LP							15u" / .38u Au OVER 50u" / 1.27u Ni	
-552(LF)		ND							30u" / .76u Au OVER 50u" / 1.27u Ni	
-553(LF)		STD							30u" / .76u Au OVER 50u" / 1.27u Ni	
-554(LF)		LP							30u" / .76u Au OVER 50u" / 1.27u Ni	
-555(LF)		ND							30u" / .76u GXT/GOLD FLASH	
-556(LF)		STD							30u" / .76u GXT/GOLD FLASH	
-557(LF)		LP	RND						30u" / .76u GXT/GOLD FLASH	
-558(LF)		ND	SQ						150u" / 3.81u TIN	
-559(LF)		STD	SQ						150u" / 3.81u TIN	
-560(LF)		LP	SQ				.105/2.67		150u" / 3.81u TIN	
-561(LF)		ND	RND				.150/3.81		15u" / .38u Au OVER 50u" / 1.27u Ni	
-562(LF)		STD							15u" / .38u Au OVER 50u" / 1.27u Ni	
-563(LF)		LP							15u" / .38u Au OVER 50u" / 1.27u Ni	
-564(LF)		ND							30u" / .76u Au OVER 50u" / 1.27u Ni	
-565(LF)		STD							30u" / .76u Au OVER 50u" / 1.27u Ni	
-566(LF)		LP							30u" / .76u Au OVER 50u" / 1.27u Ni	
-567(LF)		ND							30u" / .76u GXT/GOLD FLASH	
-568(LF)		STD							30u" / .76u GXT/GOLD FLASH	
-569(LF)		LP	RND						30u" / .76u GXT/GOLD FLASH	
-570(LF)		ND	SQ						150u" / 3.81u TIN	
-571(LF)		STD							150u" / 3.81u TIN	
-572(LF)		LP					.150/3.81		150u" / 3.81u TIN	
-573(LF)		ND					.105/2.67		15u" / .38u Au OVER 50u" / 1.27u Ni	
-574(LF)		STD							15u" / .38u Au OVER 50u" / 1.27u Ni	
-575(LF)		LP							15u" / .38u Au OVER 50u" / 1.27u Ni	
65823-576(LF)	2x22	ND	SQ	2.960/75.20	2.100/53.34	2.420/61.47	.105/2.67	2.56/65.0	30u" / .76u Au OVER 50u" / 1.27u Ni	D

mat'l. code				tolerances unless otherwise specified		CUSTOMER COPY	 www.fciconnect.com
ltr	ecn no	dr	date	linear	.XX±.01/.X±.3	projection	
AF					.XXX±.005/.XX±.13	 INCH/MM	title
				angles	.XXX±.0020/.XXX±.051		SEA, HORSE, RIGHT ANGLE
				dr	J. SHREINER 1/16/90	scale 5:1	product family
				enr	M. SMYK 1/16/90		QUICKIE
				chr	M. SMYK 1/16/90		code
				appd	M. SMYK 1/16/90		-
sheet index	revision sheet						size A
21							dwg no 65823
							sheet 19 of 21

	SIZE	LATCHES NOTE 7	PIN SHAPE	DIM A	DIM B	DIM C	DIM D	DIM E	TERMINAL PLATING NOTE 12	STYLE
65823-577(LF)	2x22	STD	SQ	2.960/75.18	2.100/53.34	2.420/61.47	.105/2.67	2.56/65.0	30u" / .76u Au OVER 50u" / 1.27u Ni	D
-578(LF)		LP					.105/2.67		30u" / .76u Au OVER 50u" / 1.27u Ni	
-579(LF)		ND					.150/3.81		15u" / .38u Au OVER 50u" / 1.27u Ni	
-580(LF)		STD					.150/3.81		15u" / .38u Au OVER 50u" / 1.27u Ni	
-581(LF)		LP					.150/3.81		15u" / .38u Au OVER 50u" / 1.27u Ni	
-582(LF)		ND					.675/17.15		15u" / .38u Au OVER 50u" / 1.27u Ni	
-583(LF)		STD							15u" / .38u Au OVER 50u" / 1.27u Ni	
-584(LF)		LP							15u" / .38u Au OVER 50u" / 1.27u Ni	
-585(LF)		ND							30u" / .76u Au OVER 50u" / 1.27u Ni	
-586(LF)		STD							30u" / .76u Au OVER 50u" / 1.27u Ni	
-587(LF)		LP							30u" / .76u Au OVER 50u" / 1.27u Ni	
-588(LF)		ND							30u" / .76u GXT/GOLD FLASH	
-589(LF)		STD							30u" / .76u GXT/GOLD FLASH	
-590(LF)		LP							30u" / .76u GXT/GOLD FLASH	
-591(LF)		ND							150u" / 3.81u TIN	
-592(LF)		STD							150u" / 3.81u TIN	
-593(LF)	2x22	LP	SQ	2.960/75.18	2.100/53.34	2.420/61.47	.675/17.15	2.56/65.0	150u" / 3.81u TIN	
-594(LF)	2x25	66258	RND	3.260/82.80	2.400/60.96	2.720/69.09	.105/2.67	2.86/72.6	30u" / .76u Au OVER 50u" / 1.27u Ni	
-595(LF)	2x25	66258	RND	3.260/82.80	2.400/60.96	2.720/69.09	.150/3.81	2.86/72.6	30u" / .76u Au OVER 50u" / 1.27u Ni	
-596(LF)	2x30	STD	RND	3.760/95.50	2.900/73.66	3.220/81.79	.150/3.81	3.36/85.3	50u" / 1.27u Au OVER 50u" / 1.27u Ni	
-597(LF)	2x25	ND	SQ	3.260/82.80	2.400/60.96	2.720/69.09	.105/2.67	2.86/72.6	30u" / .76u GXT/GOLD FLASH	
-598(LF)	2x25	STD	SQ	3.260/82.80	2.400/60.96	2.720/69.09	.105/2.67	2.86/72.6	30u" / .76u GXT/GOLD FLASH	
-599(LF)	2x25	LP	SQ	3.260/82.80	2.400/60.96	2.720/69.09	.105/2.67	2.86/72.6	30u" / .76u GXT/GOLD FLASH	
-600(LF)	2x30	ND	RND	3.760/95.50	2.900/73.66	3.220/81.79	.150/3.81	3.36/85.3	50u" / 1.27u Au OVER 50u" / 1.27u Ni	
-601(LF)	2x30	LP	RND	3.760/95.50	2.900/73.66	3.220/81.79	.150/3.81	3.36/85.3	50u" / 1.27u Au OVER 50u" / 1.27u Ni	
-606(LF)	2x25	STD	RND	3.260/82.80	2.400/60.96	2.720/69.09	.105/2.67	2.86/72.6	30u" / .76u Au OVER 50u" / 1.27u Ni	*
-607(LF)	2x25	STD	SQ	3.260/82.80	2.400/60.96	2.720/69.09	.150/3.81	2.86/72.6	30u" / .76u Au OVER 50u" / 1.27u Ni	D
65823-608(LF)	2x25	STD	SQ	3.260/82.80	2.400/60.96	2.720/69.09	.105/2.67	2.86/72.6	30u" / .76u GXT/GOLD FLASH	E

* CUSTOMER SPECIAL

Tous droits strictement reserves. Reproduction ou communication a des tiers
interdite sous quelque forme que ce soit sans autorisation ecrite du proprietaire.
Propriete de c FCI. Droits de reproduction FCI.



All rights strictly reserved. Reproduction or issue to third parties in any
form whatever is not permitted without written authority from the proprietor.
Property of FCI. Copyright FCI.

mat'l. code				tolerances unless otherwise specified		CUSTOMER COPY	FCI www.fciconnect.com
ltr	ecn no	dr	date	linear	.XX±.01/.X±.3	projection 	title HEADER, QUICKIE SEA, HORSE, RIGHT ANGLE
AF					.XXX±.005/.XX±.13		
					.XXX±.0020/.XXX±.051		
				angles	0°±2'	INCH/MM 	product family QUICKIE code - sheet 20 of 21
		dr	J. SHREINER	1/16/90			
		enr	M. SMYK	1/16/90			
		chr	M. SMYK	1/16/90			
		appd	M. SMYK	1/16/90			
		scale		5:1		A 65823	
sheet index	21	revision sheet					

Tous droits strictement reserves. Reproduction ou communication a des tiers interdite sous quelque forme que ce soit sans autorisation ecrite du propriétaire. Propriete de c FCI. Droits de reproduction FCI.

All rights strictly reserved. Reproduction or issue to third parties in any form whatever is not permitted without written authority from the proprietor. Property of FCI. Copyright FCI.



	SIZE	LATCHES NOTE 7	PIN SHAPE	DIM A	DIM B	DIM C	DIM D	DIM F	TERMINAL PLATING NOTE 12	STYLE
65823-609 (LF)	2X5	-	RND	32.00	10.16	18.29	2.67	7.24	50u"/1.27 u Au OVER 50u"/1.27u Ni	A
-610 (LF)	2X5	-	↑	32.00	10.16	18.29	↑	↑	↑	B
-611 (LF)	2X7	-	↑	37.00	15.24	23.37	↑	↑	↑	C
-612 (LF)	2X8	-	↑	39.60	17.18	25.91	↑	↑	↑	D
-613 (LF)	2X10	-	↑	44.70	22.86	30.99	↑	↑	↑	↑
-614 (LF)	2X13	-	↑	52.30	30.48	38.61	↑	↑	↑	↑
-615 (LF)	2X17	-	↑	62.40	40.64	48.77	↑	↑	↑	↑
-616 (LF)	2X20	-	↑	70.10	48.26	56.39	↑	↑	↑	↓
-617 (LF)	2X25	-	↑	82.80	60.96	69.09	↑	↑	↑	↓
-618 (LF)	2X30	-	↑	95.50	76.66	81.79	↑	↑	↑	D
-619 (LF)	2X5	STD	↑	32.00	10.16	18.29	↑	↑	↑	A
-620 (LF)	2X5	↑	↑	32.00	10.16	18.29	↑	↑	↑	B
-621 (LF)	2X7	↑	↑	37.00	15.24	23.37	↑	↑	↑	C
-622 (LF)	2X8	↑	↑	39.60	17.18	25.91	↑	↑	↑	D
-623 (LF)	2X10	↑	↑	44.70	22.86	30.99	↑	↑	↑	↑
-624 (LF)	2X13	↑	↑	52.30	30.48	38.61	↑	↑	↑	↑
-625 (LF)	2X17	↑	↑	62.40	40.64	48.77	↑	↑	↑	↑
-626 (LF)	2X20	↑	↑	70.10	48.26	56.39	↑	↑	↑	↑
-627 (LF)	2X25	↑	↑	82.80	60.96	69.09	↑	↑	↑	↑
-628 (LF)	2X30	STD	RND	95.50	76.66	81.79	2.67	7.24	50u"/1.27 u Au OVER 50u"/1.27u Ni	D

mat'l. code				tolerances unless otherwise specified			CUSTOMER COPY		FCI www.fciconnect.com	
ltr	ecn no	dr	date	linear	.XX±.01/.X±.3		projection ⊕	title HEADER, QUICKIE SEA, HORSE, RIGHT ANGLE		
AF					.XXX±.005/.XX±.13					
					.XXX±.0020/.XXX±.051					
				angles	0°±2°		INCH/MM ↔	product family QUICKIE		code
				dr	J. SHREINER	1/16/90		size/ dwg no		-
				enr	M. SMYK	1/16/90		A 65823		sheet
				chr	M. SMYK	1/16/90	scale			21 of 21
				appd	M. SMYK	1/16/90	5:1			
sheet index		revision sheet								
21										

Mouser Electronics

Authorized Distributor

Click to View Pricing, Inventory, Delivery & Lifecycle Information:

[FCI / Amphenol:](#)

[65823-081](#) [65823-163](#) [65823-169](#) [65823-366](#) [65823-073LF](#) [65823-079LF](#) [65823-239LF](#) [65823-097LF](#) [65823-240LF](#) [65823-085LF](#) [65823-093LF](#) [65823-091LF](#) [65823-033LF](#) [65823-091](#) [65823-055](#) [65823-079](#) [65823-067](#) [65823-073](#) [65823-081LF](#) [65823-378LF](#) [65823-001LF](#) [65823-007LF](#) [65823-009LF](#) [65823-025LF](#) [65823-027LF](#) [65823-037LF](#) [65823-039LF](#) [65823-041LF](#) [65823-043LF](#) [65823-045LF](#) [65823-047LF](#) [65823-057LF](#) [65823-071LF](#) [65823-075LF](#) [65823-083LF](#) [65823-087LF](#) [65823-103LF](#) [65823-105LF](#) [65823-145LF](#) [65823-155LF](#) [65823-165LF](#) [65823-183LF](#) [65823-187LF](#) [65823-193LF](#) [65823-210LF](#) [65823-213LF](#) [65823-217LF](#) [65823-218LF](#) [65823-221LF](#) [65823-222LF](#) [65823-224LF](#) [65823-235LF](#) [65823-238LF](#) [65823-241LF](#) [65823-242LF](#) [65823-243LF](#) [65823-275LF](#) [65823-276LF](#) [65823-305LF](#) [65823-367LF](#) [65823-379LF](#) [65823-463LF](#) [65823-596LF](#) [65823-161LF](#) [65823-212LF](#) [65823-300LF](#) [65823-140LF](#) [65823-049LF](#) [65823-055LF](#) [65823-061LF](#) [65823-069LF](#) [65823-067LF](#) [65823-003](#) [65823-043](#) [65823-051](#) [65823-063](#) [65823-089](#) [65823-175](#) [65823-183](#) [65823-187](#) [65823-217](#) [65823-275](#) [65823-362](#) [65823-508](#) [65823-239](#) [65823-061](#) [65823-093](#) [65823-049](#) [65823-069](#) [65823-394LF](#) [65823-070LF](#) [65823-103](#) [65823-082LF](#)