

4-1719434-1 ✓ ACTIVE

TE Internal #: 4-1719434-1

Housing for Female Terminals, Wire-to-Wire, 4 Position, 7 mm [.276 in] Centerline, Sealable, Blue, Wire & Cable, Power, Cable Mount (Free-Hanging)

[View on TE.com >](#)



Connectors > Automotive Connectors > Automotive Housings > Circular DIN Housings



Connector System: **Wire-to-Wire**

Number of Positions: **4**

Connector & Housing Type: **Housing for Female Terminals**

Centerline (Pitch): **7 mm [.276 in]**

Sealable: **Yes**

[All Circular DIN Housings \(64\)](#)

Features

Product Type Features

Mixed & Hybrid Connector	No
Connector Shape	Circular
Connector System	Wire-to-Wire
Connector & Housing Type	Housing for Female Terminals
Sealable	Yes
Connector & Contact Terminates To	Wire & Cable
Primary Locking Feature	Integrated in Housing

Configuration Features

Number of Positions	4
Number of Rows	2

Electrical Characteristics

Operating Voltage	48 VDC
Nominal Voltage Architecture	12 V, 24 V, 42 V, 48 V



Body Features

Cable Exit Angle	180°
Primary Product Color	Blue
Connector & Keying Code	4

Contact Features

Contact Size	2.5mm
Contact Type	Socket
Mating Pin Diameter	2.5 mm[.098 in]

Mechanical Attachment

Terminal Position Assurance	No
Strain Relief	Without
Mating Alignment Type	Keyed
Mating Alignment	With
Connector Mounting Type	Cable Mount (Free-Hanging)

Housing Features

Housing Material	PBT GF
Centerline (Pitch)	7 mm[.276 in]

Dimensions

Connector Height	32.8 mm[1.291 in]
Product Width	31 mm[1.22 in]
Product Length	32.8 mm[1.29 in]

Usage Conditions

Operating Temperature (Max)	120 °C[248 °F]
Operating Temperature Range	-40 – 120 °C[-40 – 248 °F]

Operation/Application

Circuit Application	Power
---------------------	-------

Industry Standards

Degree of Protection	IP67, IP69K
UL Flammability Rating	UL 94HB

Packaging Features

Packaging Quantity	700
Packaging Method	Box & Carton



Other

Serviceable	Yes
Connector Position Assurance Capable	No

Product Compliance

[For compliance documentation, visit the product page on TE.com>](#)

EU RoHS Directive 2011/65/EU	Compliant
EU ELV Directive 2000/53/EC	Compliant
China RoHS 2 Directive MIIT Order No 32, 2016	No Restricted Materials Above Threshold
EU REACH Regulation (EC) No. 1907/2006	Current ECHA Candidate List: JUNE 2024 (241) Candidate List Declared Against: JUNE 2024 (241) Does not contain REACH SVHC
Halogen Content	Low Halogen - Br, Cl, F, I < 900 ppm per homogenous material. Also BFR/CFR/PVC Free
Solder Process Capability	Not applicable for solder process capability

Product Compliance Disclaimer

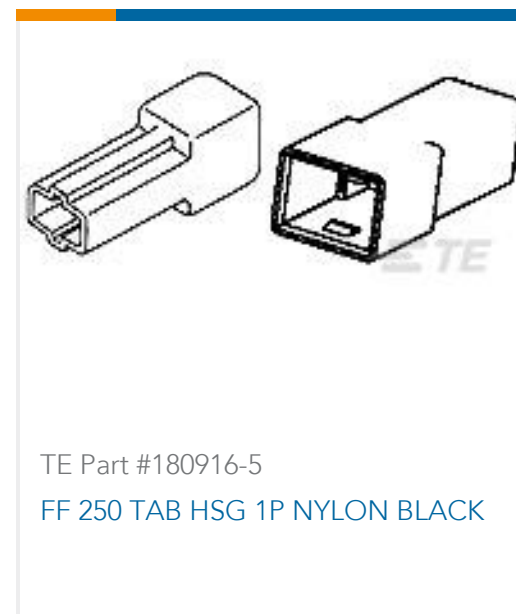
This information is provided based on reasonable inquiry of our suppliers and represents our current actual knowledge based on the information they provided. This information is subject to change. The part numbers that TE has identified as EU RoHS compliant have a maximum concentration of 0.1% by weight in homogenous materials for lead, hexavalent chromium, mercury, PBB, PBDE, DBP, BBP, DEHP, DIBP, and 0.01% for cadmium, or qualify for an exemption to these limits as defined in the Annexes of Directive 2011/65/EU (RoHS2). Finished electrical and electronic equipment products will be CE marked as required by Directive 2011/65/EU. Components may not be CE marked. Additionally, the part numbers that TE has identified as EU ELV compliant have a maximum concentration of 0.1% by weight in homogenous materials for lead, hexavalent chromium, and mercury, and 0.01% for cadmium, or qualify for an exemption to these limits as defined in the Annexes of Directive 2000/53/EC (ELV). Regarding the REACH Regulation, the information TE provides on SVHC in articles for this part number is based on the latest European Chemicals Agency (ECHA) 'Guidance on requirements for substances in articles' posted at this URL: <https://echa.europa.eu/guidance-documents/guidance-on-reach>

Compatible Parts

 <p>TE Part # CAT-C4962-B128 Circular DIN Backshells</p>	 <p>TE Part # 185636-1 PROTECT CAP 2.5MM PLUG</p>	 <p>TE Part # 828922-1 2,5MM CAVITY PLUG FOR 5,4MM DI</p>	 <p>TE Part # 4-967402-1 2.5MM PIN HOUSING, 2-4POS.,ASSY</p>
---	--	--	---



Customers Also Bought



Documents

Product Drawings

4POS DIA 2.5 SOCKET CONNECTOR HSG

English

CAD Files

3D PDF

3D

Customer View Model

[ENG_CVM_CVM_4-1719434-1_B_c-4-1719434-1-b.2d_dxf.zip](#)

English

Customer View Model

[ENG_CVM_CVM_4-1719434-1_B_c-4-1719434-1-b.3d_igs.zip](#)

English

Customer View Model

[ENG_CVM_CVM_4-1719434-1_B_c-4-1719434-1-b.3d_stp.zip](#)

English

By downloading the CAD file I accept and agree to the [Terms and Conditions](#) of use.

4-1719434-1

Housing for Female Terminals, Wire-to-Wire, 4 Position, 7 mm [.276 in] Centerline,
Sealable, Blue, Wire & Cable, Power, Cable Mount (Free-Hanging)



[Product Specifications](#)

[Application Specification](#)

English