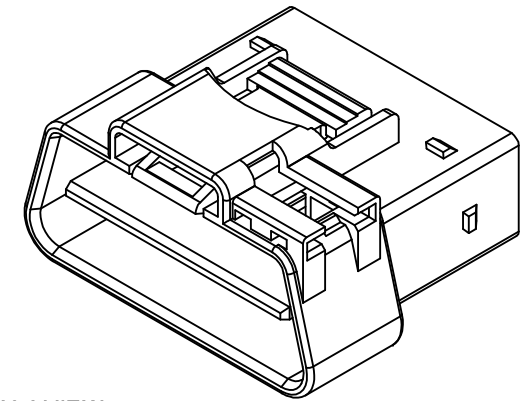
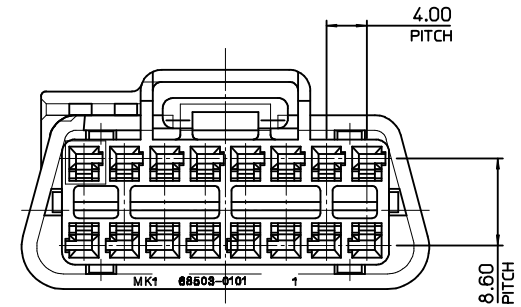
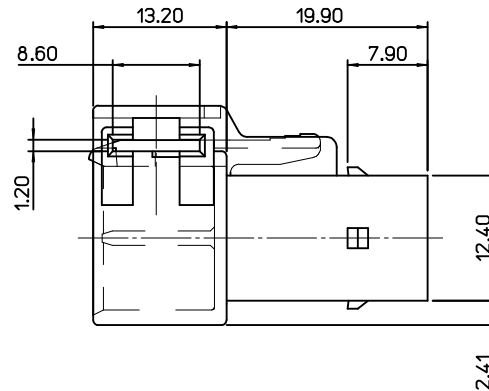
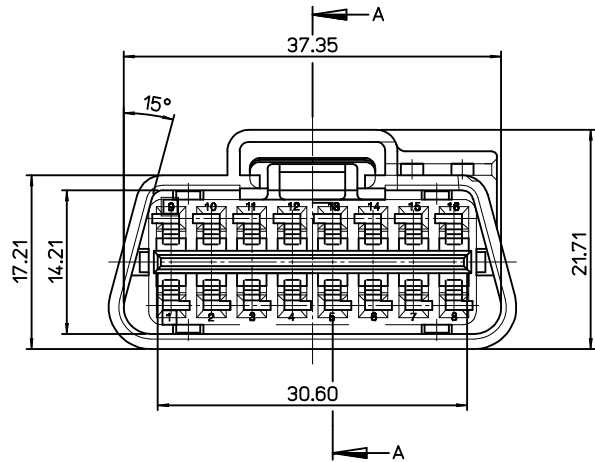


**SECTION A-A**



**ISOVIEW**



<TABLE 1>

685031602	68503-1602
MATERIAL NO.	ORDER NO.

**NOTE**

- MATERIAL : POLYESTER(PBT),BLACK
- MATES WITH : HSG,51115-1601/51116-1601  
TERMINAL,57964-9702
- USE WITH(OPTION) : WIRE DRESS COVER,68503-0101  
CPA,68503-0103

<b>REVISED</b> EC NO: KOR2009-0034 DRW: EOKIM 2008/10/08 CHKD: BCY00N 2008/10/14 APPR: YUNSIKKIM 2008/10/14	<b>QUALITY SYMBOLS</b> = 0 = 0	<b>GENERAL TOLERANCES (UNLESS SPECIFIED)</b>		<b>DIMENSION STYLE</b> <b>MM ONLY</b>		<b>SCALE</b> <b>2:1</b>	<b>DESIGN UNITS</b> <b>METRIC</b>		<b>THIRD ANGLE PROJECTION</b>		
				DRAWN BY: HCRHO      DATE: 2001/12/29		<b>TITLE</b> <b>OBD MALE HOUSING 16P</b>					
				CHECKED BY: HCRHO      DATE: 2001/12/29				<b>MOLEX INCORPORATED</b>			
				APPROVED BY: CWLEE      DATE: 2001/12/29		<b>MATERIAL NO.</b> <b>SEE TABLE1</b>		<b>DOCUMENT NO.</b> <b>SD-68503-004</b>		<b>SHEET NO.</b> <b>1 OF 1</b>	
		<b>DRAFT WHERE APPLICABLE MUST REMAIN WITHIN DIMENSIONS</b>		<b>SIZE</b> <b>A3</b>		THIS DRAWING CONTAINS INFORMATION THAT IS PROPRIETARY TO MOLEX INCORPORATED AND SHOULD NOT BE USED WITHOUT WRITTEN PERMISSION					