



Power and productivity
for a better world™

Initial Order No

Type Code OC25G10PNBN00NWS5

Order Code 1SCA126536R1001

EAN Code 6417019565064

Customer Reference



Cam switch configuration

| | |
|----------------------|--------------------------|
| Configuration type | Cam switch configuration |
| Ampere type | IEC / cULus |
| Current rating (Ith) | 25 |

Mounting type & Handle type

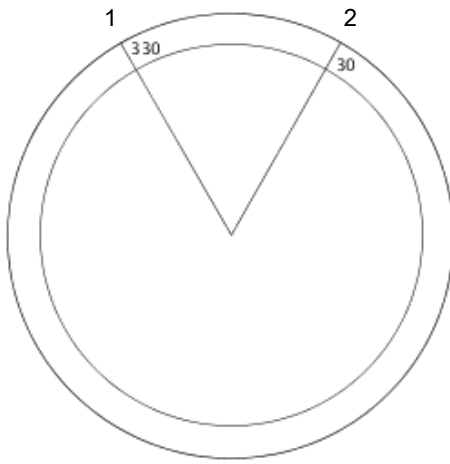
| | |
|----------------------|-----------------------|
| Chamber System | Normal |
| Switch Mounting | Door |
| Handle Mounting | Snap-on |
| Handle Type | Nose handle |
| Front Plate | 51x51mm / 2.01x2.01in |
| Handle Colour | Black |
| Handle IP-protection | IP66 |

Connections & Options

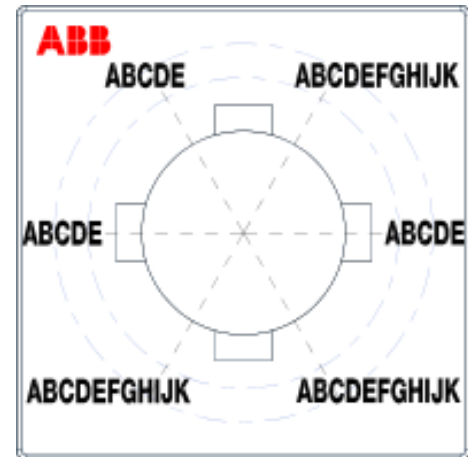
| | |
|-------------------------------------|---------------------------------|
| Connections | Standard box (tunnel) terminals |
| Gold plated contacts | - |
| Contact chambers rotated 90 degrees | No |
| Additional front lettering plate | - |
| Metallic handle shaft | - |

Front plate

| | |
|------------------------|------------|
| Spring Return Function | - |
| First position | 330 |
| Last position | 30 |
| Total number of steps | 2 |
| Angle system | 60 degrees |
| Stop at last position | Yes |

Front plate texts & locking**Text layout**

Single line
English letters
With ABB logo





Contact diagram (1)

Number of contacts (1) 10

Use late break / early make -

1 3 5 7 9 11 13 15 17 19
/ / / / / / / / / /
2 4 6 8 10 12 14 16 18 20

| | | | | | | | | | | | |
|------------|---|---|---|---|---|---|---|---|---|---|---|
| 330 | 1 | X | | X | | X | | X | | X | |
| 30 | 2 | | X | | X | | X | | X | | X |

Connection between

2-4

6-8

10-12

14-16

18-20

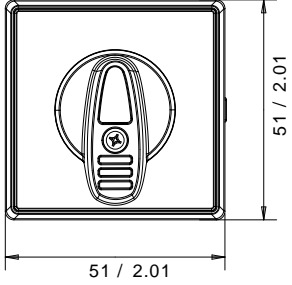


Power and productivity
for a better world™

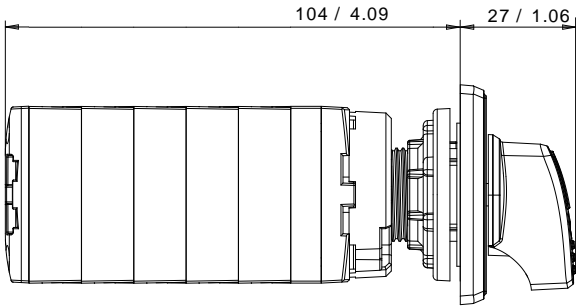
Dimension images

mm / in Millimeters [mm]
Inches [in]

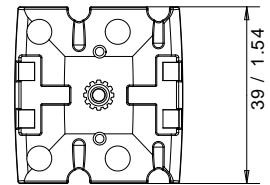
Front view



Side view



Bottom view



Mounting instructions

| | |
|--|--|
| <p>OC 25 Snap on mounting mm</p> | |
| <p>OCGNST!</p> | <p>OR</p> <p>with accessory OCGADR</p> |
| <p>Terminal Tightening Torque OC 25 1,2Nm(PH1) Wire Range-No 16 - 12AWG 1.5 - 4mm²</p> | <p>Door thickness 0,5 - 5,5 mm</p> |



Technical data, Rotary cam switches OC 10...25 Amperes

Ratings according to IEC60947-3

| | | | | OC10 | OC25 | |
|---|---------------------------------------|---------------------|-------|-----------------|-----------------|-----|
| Rated insulation voltage | U_i | Pollution degree 3 | V | 500 | 690 | |
| Rated impulse withstand voltage | U_{imp} | | kV | 2,5 | 4 | |
| Rated thermal current | I_{th} | | A | 10 | 25 | |
| Rated conditional short circuit current | I_p (r.m.s.) | | kA | 1 ¹⁾ | 7 ¹⁾ | |
| Max back-up fuse link | | | A | 10 | 25 | |
| Rated short time withstand current | r.m.s. -value I_{sw} | 1s | A | 120 | 300 | |
| | | 3s | A | 70 | 173 | |
| Conditional short circuit current | I_q | 500 V | kA | 3 | - | |
| | | 690 V | kA | - | 7 | |
| Rated operational current | AC-21A 1 and 3-phase | 400 V | A | 10 | 25 | |
| | | Up to 500V | A | 10 | 20 | |
| | 500...690 V | A | - | 20 | | |
| | AC-23A 3-phase | 230 V | A | 7,6 | 15 | |
| | | 400 V | A | 6,5 | 15 | |
| | | 500 V | A | - | 8,1 | |
| | | 690 V | A | - | 5,9 | |
| | AC-23A 1-phase | 230 V | A | 7,2 | 8,7 | |
| | | 400 V | A | 6,1 | 8,3 | |
| | AC-3 3-phase | 230 V | A | 7,6 | 12 | |
| | | 400 V | A | 4,9 | 12 | |
| | | 500 V | A | - | 6,8 | |
| | | 690 V | A | - | 4,9 | |
| | AC-3 1-phase | 230 V | A | 5,3 | 7,2 | |
| | | 400 V | A | 4,2 | 7,2 | |
| | AC-4 3-phase | 380...440 V | A | 1,4 | 7,7 | |
| | | 660...690 V | A | - | 3,8 | |
| | Rated operational power ⁴⁾ | AC-23A 3-phase | 230 V | kW | 1,8 | 2,6 |
| | | | 400 V | kW | 3 | 7,5 |
| | | | 500 V | kW | - | 4,8 |
| 690 V | | | kW | - | 4,8 | |
| AC-23A 1-phase | | 230 V | kW | 0,8 | 0,9 | |
| | | 400 V | kW | 1,1 | 1,5 | |
| AC-3 3-phase | | 230 V | kW | 1,8 | 2,2 | |
| | | 400 V | kW | 2,2 | 5,5 | |
| | | 500 V | kW | - | 4 | |
| | | 690 V | kW | - | 4 | |
| AC-3 1-phase | | 230 V | kW | 0,6 | 0,8 | |
| | | 400 V | kW | 0,8 | 1,3 | |
| AC-4 3-phase | | 380...440 V | kW | 0,55 | 4 | |
| | | 660...690 V | kW | - | 3 | |
| Rated operational current, DC-21A | | 1-contact in series | 48 V | A | 10 | 25 |
| Time constant 0...1ms | | 1-contact in series | 110 V | A | 0,7 | 1,5 |
| | | 1-contact in series | 220 V | A | 0,3 | 0,5 |
| | | 2-contact in series | 60 V | A | 10 | 20 |
| | | 3-contact in series | 110 V | A | 10 | 20 |
| | | 5-contact in series | 220 V | A | 10 | 20 |
| | 9-contact in series | 440 V | A | 10 | 20 | |
| | 10-contact in series | 600 V | A | - | 16 | |
| Rated operational current, DC-22A | 1-contact in series | 24 V | A | 6 | 10 | |
| Time constant 1...50ms | 1-contact in series | 30 V | A | 3 | 4,5 | |
| | 1-contact in series | 40 V | A | 3 | 4,5 | |
| | 2-contact in series | 60 V | A | 3 | 4,5 | |
| | 3-contact in series | 110 V | A | 3 | 4,5 | |
| | 5-contact in series | 220 V | A | 3 | 4,5 | |



| | | | | | |
|--|---|-------------|-----------------|-----------|-----------|
| Rated operational current, DC-13 | 1 contact in series | 48 V | A | - | 3 |
| | 1 contact in series | 110 V | A | - | 0,8 |
| | 1 contact in series | 220 V | A | - | 0,4 |
| Rated operational current, according to IEC60947-5-1 | AC-15 | 220...240 V | A | 2,5 | 5,5 |
| | | 380...440 V | A | 1,5 | 3,5 |
| Power loss per contact - at rated I_{th} | Standard contacts | | W | ≤ 0.6 | ≤ 1.8 |
| Contact resistance | Standard contacts | | Ohms | ≤ 0.004 | ≤ 0.003 |
| Power loss per contact - at rated I_{th} | Gold contacts | | W | 0,4 | ≤ 1.8 |
| Contact resistance | Gold contacts | | Ohms | ≤ 0.006 | ≤ 0.003 |
| Minimum switching capacity | Gold contacts | | mA | 5 | 5 |
| | Gold contacts | | V AC/DC | 5 | 5 |
| Terminals | Max cable cross section, solid/stranded ³⁾ | | mm ² | 0.5...1.5 | 1.5...4 |
| Mechanical endurance ⁵⁾ | 8 Contacts and less | | Number | 500 000 | 500 000 |
| | 9 to 14 Contacts | | of | 300 000 | 300 000 |
| | 15-24 Contacts | | operations | 100 000 | 100 000 |
| Temperature | Storing and operational ²⁾ temperature | | °C | -40...+80 | -40...+85 |

¹⁾ 400 V

²⁾ At 40°C, derating 0%. Current peaks up to 60°C, derating 0%.

³⁾ Use copper wire only

⁴⁾ These values are given for guidance and may vary acc. to the motor manufacturer

⁵⁾ The mechanical endurance ratings are dependent on the switching angles and the number of contacts. The ratings shown represent the minimum values achieved. Higher ratings may be available upon request..

Ratings according to UL 60947-4-1

Standards UL 60947-1, UL 60947-4-1, CSA C22.2 no. 60947-1-13, CSA C22.2 no. 60947-4-1-14.

| Model designation | | OC10 | OC25 | |
|--|-------|----------------------|----------------------|------|
| Maximum general use ratings: | | | | |
| Pilot duty, V ac | V ac | A300 | A600 | |
| General rating, A | A | 10 | 25 | |
| Voltage rating, 50/60 Hz, V ac | V ac | 300 | 600 | |
| Single phase horsepower ratings | | | | |
| Voltage, V ac, 50/60 Hz | 120 V | HP | 0,33 | 0,75 |
| | | FLA | 7,2 | 13,8 |
| | 240 V | HP | 1 | 2 |
| | | FLA | 8 | 12 |
| | 480 V | HP | - | 3 |
| | | FLA | - | 8,5 |
| | 600 V | HP | - | 3 |
| | | FLA | - | 6,8 |
| Three phase horsepower ratings | | | | |
| Voltage, V ac, 50/60 Hz | 120 V | HP | 1 | 2 |
| | | FLA | 8,4 | 13,6 |
| | 240 V | HP | 1 | 3 |
| | | FLA | 4,2 | 9,6 |
| | 480 V | HP | - | 5 |
| | | FLA | - | 7,6 |
| | 600 V | HP | - | 7,5 |
| | | FLA | - | 9 |
| Short circuit ratings, manual motor controllers | | | | |
| Short circuit ratings | | 1 kA rms, 300 Vac | 5 kA rms, 600 Vac | |
| Maximum fuse size (Fuse class) | | 30 A (RK5) | 35 A (RK5) | |
| Cabling | | | | |
| Wire range | AWG | 14** | 14-10** | |

** Solid or stranded copper conductors only

The standard for Industrial Control Equipment UL 508 has been harmonized with the relevant product standards of the IEC standard for Low-Voltage Switchgear and Controlgear IEC 60947.