

注) 1. 材質  
 NOTES MATERIAL  
 モールドカバー<sup>∞</sup> A<sup>∞</sup> : ガラス入りポリカーボネイト樹脂  
 MOLD COVER "A" : POLYCARBONATE G.F.  
 UL94V-0 色 : SEE TABLE  
 UL94V-0 COLOR : SEE TABLE  
 スプリングラッチ : ステンレス鋼 t0.4  
 SPRING LATCH : STAINLESS STEEL t0.4  
 2. 適用プラグカバーB : 54182-060\*  
 APPLICABLE PLUG COVER B : 54182-060\*

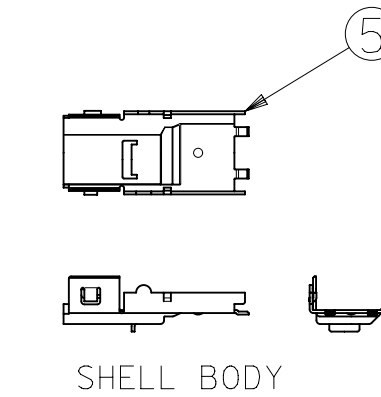
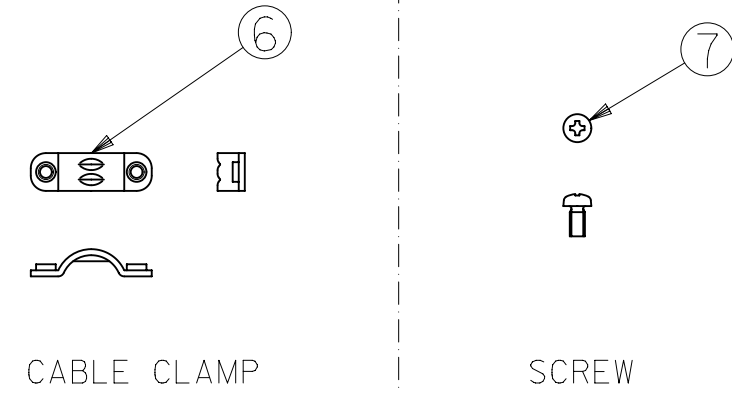
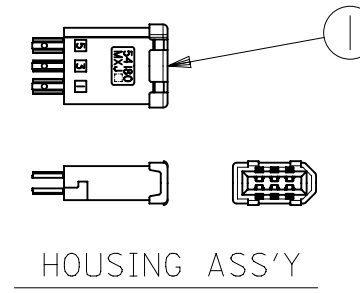
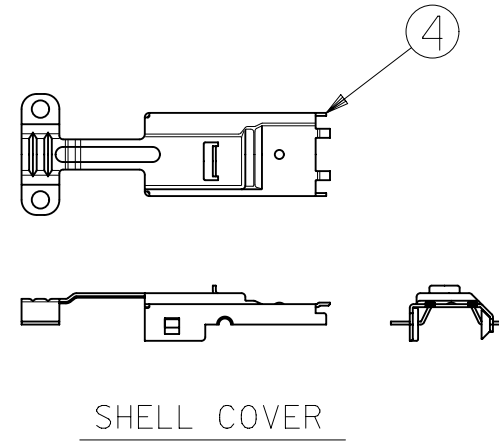
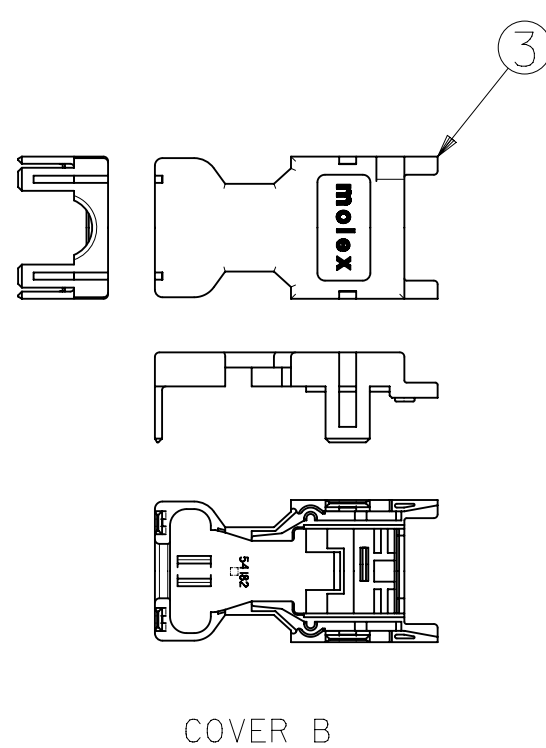
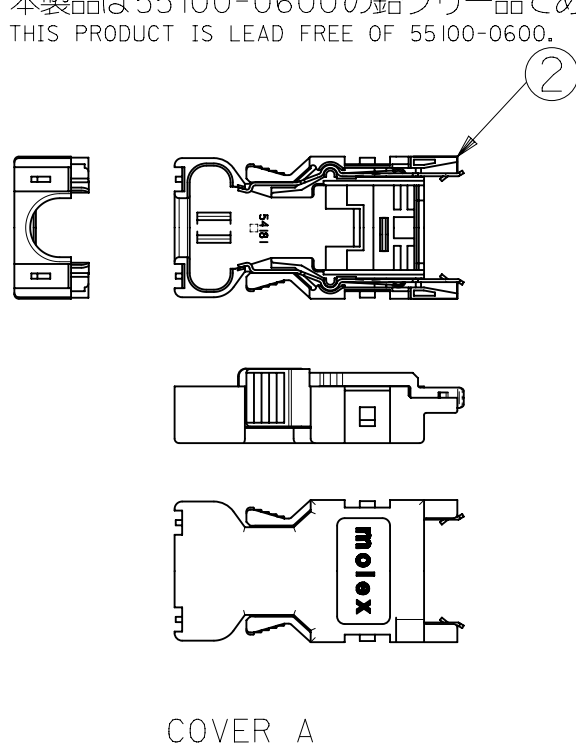
BLACK	54181-0616	54181-061*
GRAY	54181-0615	
COLOR	MATERIAL No.	MODEL No.

THIS DRAWING CONTAINS INFORMATION THAT IS PROPRIETARY TO MOLEX ELECTRONIC TECHNOLOGIES, LLC AND SHOULD NOT BE USED WITHOUT WRITTEN PERMISSION									
DIMENSION UNITS		SCALE		CURRENT REV DESC:					
mm		4:1		<b>molex</b> 2.0 I/O CONN.PLUG MOLD COVER A ASSY PRODUCT CUSTOMER DRAWING					
GENERAL TOLERANCES (UNLESS SPECIFIED)									
ANGULAR TOL	±	1.0°							
4 PLACES	±	0.2							
3 PLACES	±	0.2							
2 PLACES	±	0.2		INITIAL REVISION:					
1 PLACE	±	0.2		DRWN: RFC_PLMIMP		2017/12/25		DOCUMENT NUMBER	
0 PLACES	±	0.2		APPR: RFC_PLMIMP		2017/12/25		SD-54181-0615	
DRAFT WHERE APPLICABLE MUST REMAIN WITHIN DIMENSIONS		THIRD ANGLE PROJECTION		DRAWING		SERIES		MATERIAL NUMBER	
				A3-SIZE		54181		SEE TABLE	
								CUSTOMER	
								GENERAL MARKET	
								SHEET NUMBER	
								1 OF 1	

部品構成  
PARTS CONSTRUCTION

部番 NO.	部品名 PART NAME	製品番号 ENG. NO.	個数 QUAN.	材質 MATERIAL
①	ハウジングアッセンブリ HOUSING ASS'Y	54180-0619	1	ハウジング：ガラス入り耐熱樹脂 UL94V-0 色：黒 HOUSING : G.F. HEAT RESISTANT PLASTIC UL94V-0 COLOR : BLACK ターミナル：りん青銅 t0.3 TERMINAL : PHOSPHOR BRONZE t0.3 メッキ仕様 接点部：ニッケル下地金メッキ PLATING CONTACT AREA : GOLD OVER NICKEL 結線部：ニッケル下地錫メッキ WIRE TERMINATION AREA : TIN OVER NICKEL
②	カバーA COVER A	54181-0615	1	カバーA：ガラス入りポリカーボネイト樹脂 COVER A : POLYCARBONATE G.F. UL94V-0 色：グレー UL94V-0 COLOR : GRAY スプリングラッチ：ステンレス鋼 t0.4 SPRING LATCH : STAINLESS STEEL t0.4
③	カバーB COVER B	54182-0605	1	ガラス入りポリカーボネイト樹脂 UL94V-0 色：グレー POLYCARBONATE G.F. UL94V-0 COLOR : GRAY
④	シエル カバー SHELL COVER	58299-0626	1	鋼 t0.4 STEEL t0.4
⑤	シエル ボディ SHELL BODY	58300-0626	1	メッキ仕様：ニッケル下地、錫メッキ PLATING : NICKEL BASE, TIN PLATING
⑥	ケーブルクランプ CABLE CLAMP	58303-0000	1	ステンレス鋼 STAINLESS STEEL
⑦	十字穴付きなべ小ネジ CROSS RECESSED PAN HEAD MACHINE SCREW	59832-0009	2	黄銅(ネジサイズ：M2X4) BRASS (SCREW SIZE : M2X4)

NOTES:  
本製品は55100-0600の鉛フリー品である  
THIS PRODUCT IS LEAD FREE OF 55100-0600.



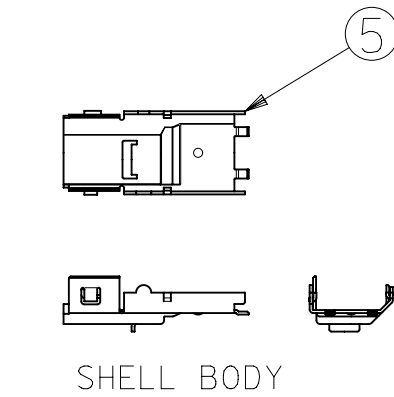
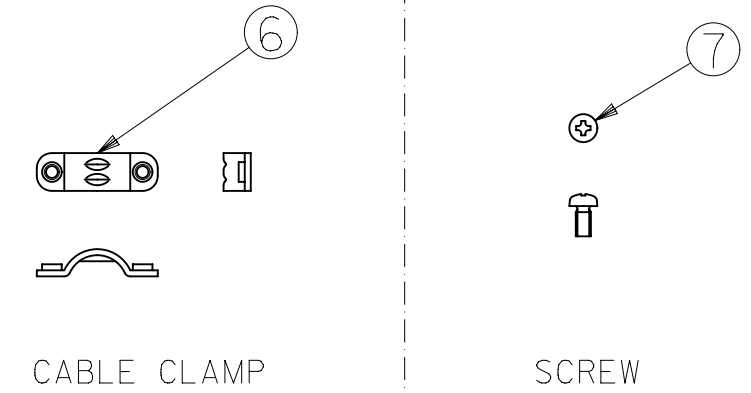
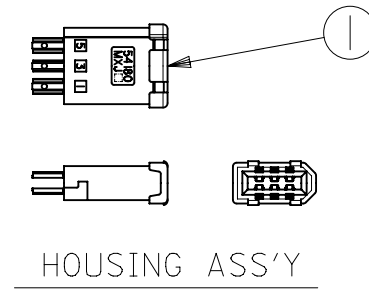
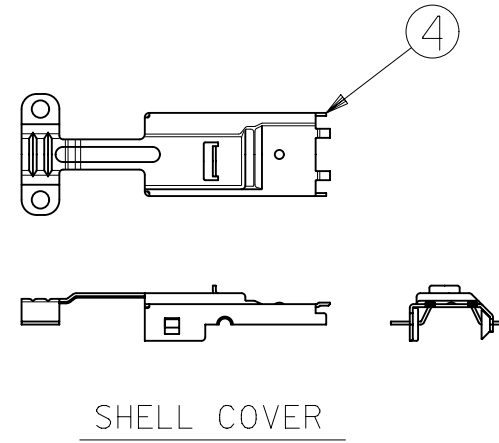
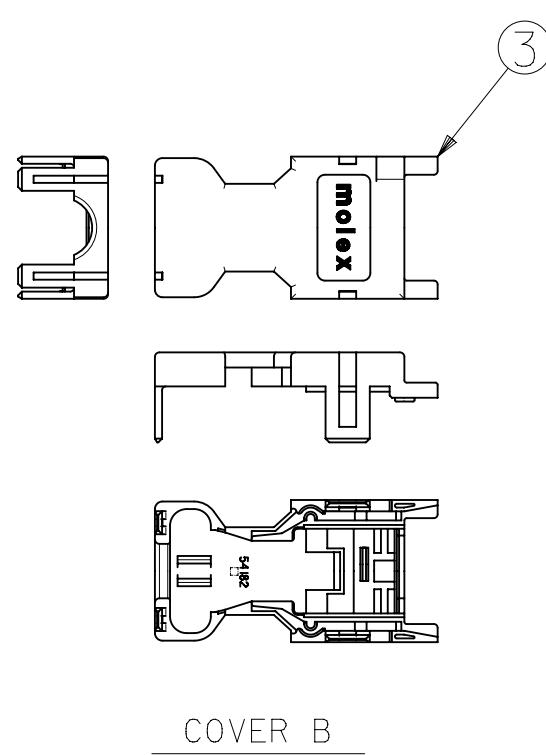
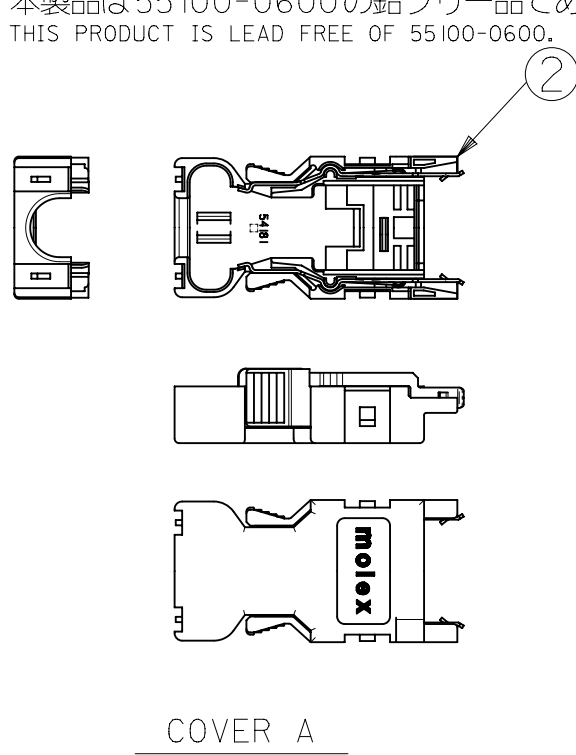
GRAY	TRAY & POLY BAG	55100-0680	55100-***0
	POLY BAG	55100-0670	
COVER COLOR	PACKAGE METHOD	MATERIAL No.	MODEL No.

THIS DRAWING CONTAINS INFORMATION THAT IS PROPRIETARY TO MOLEX ELECTRONIC TECHNOLOGIES, LLC AND SHOULD NOT BE USED WITHOUT WRITTEN PERMISSION				CURRENT REV DESC:				<b>molex</b>			
DIMENSION UNITS	SCALE	EC NO: 627599									
mm	NTS	DRWN: KTAKEUCHI01 2019/10/02		PRODUCT CUSTOMER DRAWING							
GENERAL TOLERANCES (UNLESS SPECIFIED)		CHK'D: TKON 2019/11/19		DOCUMENT NUMBER		DOC TYPE	DOC PART	REVISION			
ANGULAR TOL	± °	APPR: ASHIMOTSU 2019/11/19		SD-55100-004		PSD	001	C			
4 PLACES	±	INITIAL REVISION:		MATERIAL NUMBER		CUSTOMER		SHEET NUMBER			
3 PLACES	±	DRWN: HKAWABATA 2004/05/21		SEE TABLE		GENERAL MARKET		1 OF 2			
2 PLACES	±	APPR: MSASAO 2004/05/21		A3-SIZE		SERIES		55100			
1 PLACE	±	DRAFT WHERE APPLICABLE MUST REMAIN WITHIN DIMENSIONS		THIRD ANGLE PROJECTION		DRAWING		A3-SIZE			
0 PLACES	±			DRAWING		SERIES		55100			

部品構成  
PARTS CONSTRUCTION

部番 NO.	部品名 PART NAME	製品番号 ENG. NO.	個数 QUAN.	材質 MATERIAL
①	ハウジングアッセンブリ HOUSING ASS'Y	54180-0619	1	ハウジング：ガラス入り耐熱樹脂 UL94V-0 色：黒 HOUSING : G.F. HEAT RESISTANT PLASTIC UL94V-0 COLOR : BLACK ターミナル：りん青銅 t0.3 TERMINAL : PHOSPHOR BRONZE t0.3 メッキ仕様 接点部：ニッケル下地金メッキ PLATING CONTACT AREA : GOLD OVER NICKEL 結線部：ニッケル下地錫メッキ WIRE TERMINATION AREA : TIN OVER NICKEL
②	カバーA COVER A	54181-0616	1	カバーA：ガラス入りポリカーボネイト樹脂 COVER A : POLYCARBONATE G.F. UL94V-0 色：黒 UL94V-0 COLOR : BLACK スプリングラッチ：ステンレス鋼 t0.4 SPRING LATCH : STAINLESS STEEL t0.4
③	カバーB COVER B	54182-0606	1	ガラス入りポリカーボネイト樹脂 UL94V-0 色：黒 POLYCARBONATE G.F. UL94V-0 COLOR : BLACK
④	シエル カバー SHELL COVER	58299-0626	1	鋼 t0.4 STEEL t0.4
⑤	シエル ボディ SHELL BODY	58300-0626	1	メッキ仕様：ニッケル下地、錫メッキ PLATING : NICKEL BASE, TIN PLATING
⑥	ケーブルクランプ CABLE CLAMP	58303-0000	1	ステンレス鋼 STAINLESS STEEL
⑦	十字穴付きなべ小ネジ CROSS RECESSED PAN HEAD MACHINE SCREW	59832-0009	2	黄銅(ネジサイズ：M2X4) BRASS (SCREW SIZE : M2X4)

NOTES:  
本製品は55100-0600の鉛フリー品である  
THIS PRODUCT IS LEAD FREE OF 55100-0600.



BLACK	POLY BAG	55100-0671	55100-***1
COVER COLOR	PACKAGE METHOD	MATERIAL No.	MODEL No.

DIMENSION UNITS		SCALE		CURRENT REV DESC:				molex			
mm	NTS			EC NO: 627599				2.0 I/O CONN.PLUG SET			
GENERAL TOLERANCES (UNLESS SPECIFIED)				DRWN: KTAKEUCHI01 2019/10/02				PRODUCT CUSTOMER DRAWING			
ANGULAR TOL ± °				CHK'D: TKON 2019/11/19				DOCUMENT NUMBER			
4 PLACES ±				APPR: ASHIMOTSU 2019/11/19				SD-55100-004			
3 PLACES ±				INITIAL REVISION:				DOC TYPE DOC PART REVISION			
2 PLACES ±				DRWN: HKAWABATA 2004/05/21				PSD 001 C			
1 PLACE ±				APPR: MSASAO 2004/05/21				MATERIAL NUMBER CUSTOMER			
0 PLACES ±				DRAFT WHERE APPLICABLE MUST REMAIN WITHIN DIMENSIONS				SEE TABLE GENERAL MARKET			
THIRD ANGLE PROJECTION		DRAWING		SERIES		SHEET NUMBER					
A3-SIZE		55100		2 OF 2							