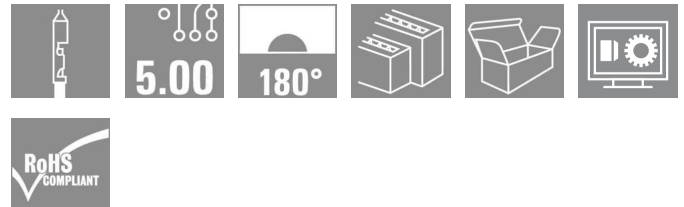


OMNIMATE Signal - series RSV RSV1,6 S9 GR

Weidmüller Interface GmbH & Co. KG
 Klingenbergstraße 16
 D-32758 Detmold
 Germany
 Fon: +49 5231 1429-0
 Fax: +49 5231 14292083
 www.weidmueller.com

Product picture



Rectangular plug-in connector for use with crimp contacts. Can be used as universal coupling, but also with the PCB variations. The crimp contacts guarantee a high connection density. CS 1.6 or CB 1.6 contacts can be used here. The plug-in connectors can be coded and locked to the mating connector. Supplied in cardboard box.

General ordering data

Type	RSV1,6 S9 GR
Order No.	1415100000
Version	PCB plug-in connector, male plug, 5.00 mm, No. of poles: 9, Crimp connection, Clamping range, rated connection, max.: 3.31 mm ² , Box
GTIN (EAN)	4008190025526
Qty.	25 pc(s).
Product data	IEC: 630 V / 17 A UL: 600 V / 10 A / AWG 26 - AWG 12
Packaging	Box

**OMNIMATE Signal - series RSV
RSV1,6 S9 GR**

Weidmüller Interface GmbH & Co. KG
 Klingenbergstraße 16
 D-32758 Detmold
 Germany
 Fon: +49 5231 1429-0
 Fax: +49 5231 14292083
 www.weidmueller.com

Technical data**Dimensions and weights**

Net weight	10.8 g
------------	--------

System parameters

Product family	OMNIMATE Signal - series RSV	Type of connection	Field connection
Wire connection method	Crimp connection	Pitch in mm (P)	5 mm
Pitch in inches (P)	0.197 inch	No. of poles	9
L1 in mm	10 mm	L1 in inches	0.394 inch
Number of rows	1	Pin series quantity	3
Touch-safe protection acc. to DIN VDE 57 106	Safe from finger touch, plugged	Touch-safe protection acc. to DIN VDE 0470	IP20 plugged
Stripping length	4 mm	push-in force/pole	9 N
Withdrawal force per pole	18 N	Packaging	Box

Material data

Insulating material	Wemid (PA)	Colour	Pebble grey
Colour chart (similar)	RAL 7032	Insulating material group	I
CTI	≥ 600	UL 94 flammability rating	V-0
Contact material	Cu-Leg	Storage temperature, min.	-25 °C
Storage temperature, max.	55 °C	Max. relative humidity during storage	80 %
Operating temperature, max.	100 °C	Temperature range, installation, max.	100 °C


Conductors suitable for connection

Clamping range, rated connection, min.	0.13 mm ²	Clamping range, rated connection, max.	3.31 mm ²
Flexible, min. H05(07) V-K	0.2 mm ²	Flexible, max. H05(07) V-K	2.5 mm ²

Rated data acc. to IEC

tested acc. to standard	IEC 60664-1, IEC 61984	Rated current, min. no. of poles (Ta = 20°C)	17 A
Rated current, max. no. of poles (Ta = 20°C)	13 A	Rated current, min. no. of poles (Ta = 40°C)	15 A
Rated current, max. no. of poles (Ta = 40°C)	11.5 A	Rated voltage for surge voltage class / pollution degree II/2	630 V
Rated voltage for surge voltage class / pollution degree III/2	400 V	Rated voltage for surge voltage class / pollution degree III/3	250 V
Rated impulse voltage for surge voltage class/ pollution degree II/2	4 kV	Rated impulse voltage for surge voltage class/ pollution degree III/2	4 kV
Rated impulse voltage for surge voltage class/ contamination degree III/3	4 kV	Short-time withstand current resistance	3 x 1s with 120 A

Rated data acc. to CSA

Institute (CSA)		Certificate No. (CSA)	53975-13
Rated voltage (Use group C)	600 V	Rated current (use group C)	13 A
Wire cross-section, AWG, min.	AWG 26	Wire cross-section, AWG, max.	AWG 12
Reference to approval values	Specifications are maximum values, details - see approval certificate.		

Creation date April 28, 2017 6:26:27 PM CEST

Catalogue status 25.04.2017 / We reserve the right to make technical changes.

Data sheet

**OMNIMATE Signal - series RSV
RSV1,6 S9 GR**

Weidmüller Interface GmbH & Co. KG
Klingenbergstraße 16
D-32758 Detmold
Germany
Fon: +49 5231 1429-0
Fax: +49 5231 14292083
www.weidmueller.com

Technical data

Rated data acc. to UL 1059

Institute (UR)		Certificate No. (UR)	E92202
Reference to approval values	Specifications are maximum values, details - see approval certificate.		

Classifications

ETIM 3.0	EC001284	ETIM 4.0	EC002636
ETIM 5.0	EC002636	ETIM 6.0	EC002637
UNSPSC	30-21-18-10	eClass 5.1	27-26-07-01
eClass 6.2	27-26-07-03	eClass 7.1	27-44-01-01
eClass 8.1	27-44-01-01	eClass 9.0	27-44-01-01
eClass 9.1	27-44-04-02		

Notes

Notes	<ul style="list-style-type: none"> • Additional colours on request • Rated current related to rated cross-section & min. No. of poles. • Spacing between rows: see hole layout • Rated cross-section depends on crimp contact used. • Rated data refer only to the component itself. Clearance and creepage distances to other components are to be designed in accordance with the relevant application standards. • Max. outer diameter of the cable (with insulation): 3.5 mm
IPC conformity	The products are developed, manufactured and delivered according to the internationally recognised IPC-A-610 standard, category "permissible". More extensive demands on the products can be evaluated on request.

Approvals

Approvals	
ROHS	Conform

Downloads

Approval/Certificate/Document of Conformity	Declaration of the Manufacturer
Engineering Data	EPLAN_WSCAD
Engineering Data	RSV1.6.zip

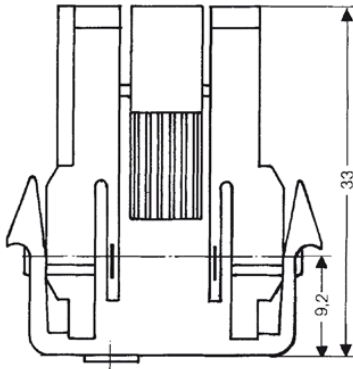
Data sheet

**OMNIMATE Signal - series RSV
RSV1,6 S9 GR**

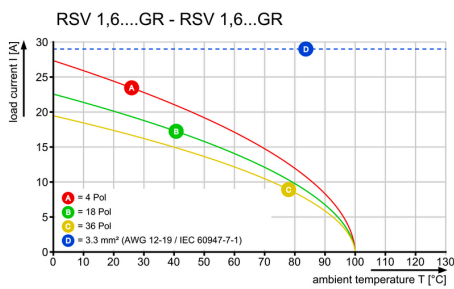
Weidmüller Interface GmbH & Co. KG
 Klingenbergstraße 16
 D-32758 Detmold
 Germany
 Fon: +49 5231 1429-0
 Fax: +49 5231 14292083
 www.weidmueller.com

Drawings

Dimensional drawing



Graph



OMNIMATE Signal - series RSV RSV1,6 S9 GR

Weidmüller Interface GmbH & Co. KG
 Klingenbergstraße 16
 D-32758 Detmold
 Germany
 Fon: +49 5231 1429-0
 Fax: +49 5231 14292083
 www.weidmueller.com

Accessories

Coding elements



**Only connects what is supposed to be connected:
the right connection at the right place.**

Coding elements and locking devices clearly assign connecting elements during the manufacturing process and operation

The coding elements and locking devices are inserted prior to assembly or during the cable assembly phase. The Weidmüller alternative: configure online using the variant configurator to precode prior to delivery.

Incorrect assembly on the circuit board and incorrect plugging of connecting elements is no longer possible. The advantage: no troubleshooting during manufacture and no operational errors by the user.

General ordering data

Type	Order No.	Version	GTIN (EAN)	Qty.	Product data	Packaging
RSV1,6 KO	1567430000	PCB plug-in connector, Accessories, Coding element, Black, No. of poles: 1	4008190169756	50 pc(s).		Box

Adapters for rail mounting



Clip on and use!

From the circuit board in the control cabinet: snap-on or mounting feet form the link between plug-in connectors and terminal rails.

Compatible with all standard sizes: TS 15 or TS 35. Combination foot or variations available.

The quick alternative to screw connections: unbeatable ease of installation and service.

The mounting foot for the terminal rails allows the universal use of pluggable connection systems on the module, the enclosure and the control cabinet and avoids patchwork solutions.

General ordering data

Type	Order No.	Version	GTIN (EAN)	Qty.	Product data	Packaging
RSV1,6 RF12/35x7.5 SW	1582940000	PCB plug-in connector, Accessories, Clip-in foot, Black, No. of poles: 12	4008190068486	10 pc(s).		Box
RSV1,6 RF12/35x15 SW	1690140000	PCB plug-in connector, Accessories, Clip-in foot, Black, No. of poles: 12	4008190863005	10 pc(s).		Box

**OMNIMATE Signal - series RSV
RSV1,6 S9 GR**

Weidmüller Interface GmbH & Co. KG
 Klingenbergstraße 16
 D-32758 Detmold
 Germany
 Fon: +49 5231 1429-0
 Fax: +49 5231 14292083
 www.weidmueller.com

Accessories**Pin contact, long****For a reliable contact - CB/CS crimp contact.**

The combination of RSV housings and Weidmüller's crimp contacts enable custom adaptations to the specific requirements of your applications.

The following product options are available depending on the system:

- Safe centring of the contacts using the three-segment pin tips
- High contact reliability using four defined contact points
- Locking clasp in the cantilever spring for a secure mount of the contacts in the housing
- Pin contacts with two lengths to implement leading-pin contacts
- Up to 100 plugging cycles (tin version)
- Up to 500 plugging cycles (gold version)

The appropriate high-quality tools from Weidmüller guarantee professional processing.

General ordering data

Type	Order No.	Version	GTIN (EAN)	Qty.	Product data	Packaging
CSL1,6E18-16 AU,75 I3,5	1582330000	PCB plug-in connector, Crimp contact, Individual contact, Pin – long, Gold- plated, Max. clamping range : 1.5 mm ²	4008190066079	250 pc(s).		Box
CSL1,6E18-16 SN I3,5	1582350000	PCB plug-in connector, Crimp contact, Individual contact, Pin – long, tinned, Max. clamping range : 1.5 mm ²	4008190033620	250 pc(s).		Box
Discontinued	2016-09-01T00:00:00+02:00	CSL1,6R14-12 SN I4,2	1582400000	PCB plug-in connector, Crimp contact, Reel packaged, Pin – long, tinned, Max. clamping range : 2.5 mm ²	4008190112912	3,000 pc(s).
CSL1,6R18-16 AU,75 I2,5	1565790000	PCB plug-in connector, Crimp contact, Reel packaged, Pin – long, Gold- plated, Max. clamping range : 1.5 mm ²	4008190021870	5,000 pc(s).		Box
CSL1,6E14-12 SN I3,5	1429700000	PCB plug-in connector, Crimp contact, Individual contact, Pin – long, tinned, Max. clamping range : 2.5 mm ²	4008190065577	250 pc(s).		Box
CSL1,6R18-16 SN I2,5	1565810000	PCB plug-in connector, Crimp contact, Reel	4008190056803	5,000 pc(s).		Box

Creation date April 28, 2017 6:26:27 PM CEST

Catalogue status 25.04.2017 / We reserve the right to make technical changes.

OMNIMATE Signal - series RSV
RSV1,6 S9 GR

Weidmüller Interface GmbH & Co. KG
 Klingenbergstraße 16
 D-32758 Detmold
 Germany
 Fon: +49 5231 1429-0
 Fax: +49 5231 14292083
 www.weidmueller.com

Accessories

		packaged, Pin – long, tinned, Max. clamping range : 1.5 mm ²			
CSL1,6R26-24 1565900000 SN I1,4		PCB plug-in connector, Crimp contact, Reel packaged, Pin – long, tinned, Max. clamping range : 0.25 mm ²	4008190139797 5,000 pc(s).		Box
CSL1,6E22-20 1423700000 SN I1,8		PCB plug-in connector, Crimp contact, Individual contact, Pin – long, tinned, Max. clamping range : 0.5 mm ²	4008190001766 250 pc(s).		Box
CSL1,6E22-20 1422700000 AU,75 I1,8		PCB plug-in connector, Crimp contact, Individual contact, Pin – long, Gold- plated, Max. clamping range : 0.5 mm ²	4008190168667 250 pc(s).		Box
CSL1,6E26-24 1420700000 AU,75 I1,4		PCB plug-in connector, Crimp contact, Individual contact, Pin – long, Gold- plated, Max. clamping range : 0.25 mm ²	4008190130176 250 pc(s).		Box
Discontinued 2016-09-01T00:00:00+02:00	CSL1,6R26-24 AU,75 I1,4	1565880000	PCB plug-in connector, Crimp contact, Reel packaged, Pin – long, Gold-plated, Max. clamping range : 0.25 mm ²	4008190140410	5,000 pc(s).
CSL1,6R14-12 1565780000 SN I3,5		PCB plug-in connector, Crimp contact, Reel packaged, Pin – long, tinned, Max. clamping range : 2.5 mm ²	4008190056735 4,000 pc(s).		Box
CSL1,6E22-20 1425700000 SN I2,5		PCB plug-in connector, Crimp contact, Individual contact, Pin – long, tinned, Max. clamping range : 0.5 mm ²	4008190175016 250 pc(s).		Box
CSL1,6E26-24 1421700000 SN I1,4		PCB plug-in connector, Crimp contact, Individual contact, Pin – long, tinned, Max. clamping range : 0.25 mm ²	4008190109042 250 pc(s).		Box
Discontinued 2016-09-01T00:00:00+02:00	CSL1,6R14-12 AU,75 I4,2	1582380000	PCB plug-in connector, Crimp contact, Reel packaged, Pin – long, Gold-plated, Max. clamping range : 2.5 mm ²	4008190130213	3,000 pc(s).
CSL1,6R22-20 1565870000 SN I1,8		PCB plug-in connector, Crimp contact, Reel	4008190086596 5,000 pc(s).		Box

Creation date April 28, 2017 6:26:27 PM CEST

Catalogue status 25.04.2017 / We reserve the right to make technical changes.

7

OMNIMATE Signal - series RSV
RSV1,6 S9 GR

Weidmüller Interface GmbH & Co. KG
 Klingenbergstraße 16
 D-32758 Detmold
 Germany
 Fon: +49 5231 1429-0
 Fax: +49 5231 14292083
 www.weidmueller.com

Accessories

			packaged, Pin – long, tinned, Max. clamping range : 0.5 mm ²			
CSL1,6R22-20 1565820000			PCB plug-in connector, Crimp contact, Reel packaged, Pin – long, Gold- plated, Max. clamping range : 0.5 mm ²	4008190130732	5,000 pc(s).	Box
AU,75 I2,5						
CSL1,6E14-12 1582370000			PCB plug-in connector, Crimp contact, Individual contact, Pin – long, Gold- plated, Max. clamping range : 2.5 mm ²	4008190055608	250 pc(s).	Box
AU,75 I4,2						
Discontinued 2016-09-01T00:00:00+02:00			CSL1,6R18-16 AU,75 I3,5 1582340000	PCB plug-in connector, Crimp contact, Reel packaged, Pin – long, Gold-plated, Max. clamping range : 1.5 mm ²	4008190086756	4,000 pc(s).
CSL1,6E18-16 1426700000			PCB plug-in connector, Crimp contact, Individual contact, Pin – long, Gold- plated, Max. clamping range : 1.5 mm ²	4008190170516	250 pc(s).	Box
AU,75 I2,5						
Discontinued 2016-09-01T00:00:00+02:00			CSL1,6R14-12 AU,75 I3,5 1565760000	PCB plug-in connector, Crimp contact, Reel packaged, Pin – long, Gold-plated, Max. clamping range : 2.5 mm ²	4008190134693	4,000 pc(s).
CSL1,6E14-12 1428700000			PCB plug-in connector, Crimp contact, Individual contact, Pin – long, Gold- plated, Max. clamping range : 2.5 mm ²	4008190098353	250 pc(s).	Box
AU,75 I3,5						
CSL1,6E18-16 1427700000			PCB plug-in connector, Crimp contact, Individual contact, Pin – long, tinned, Max. clamping range : 1.5 mm ²	4008190057725	250 pc(s).	Box
SN I2,5						
Discontinued 2016-09-01T00:00:00+02:00			CSL1,6R22-20 SN I2,5 1565840000	PCB plug-in connector, Crimp contact, Reel packaged, Pin – long, tinned, Max. clamping range : 0.5 mm ²	4008190096014	5,000 pc(s).
CSL1,6E22-20 1424700000			PCB plug-in connector, Crimp contact, Individual contact, Pin – long, Gold- plated, Max. clamping range : 0.5 mm ²	4008190143350	250 pc(s).	Box
AU,75 I2,5						

OMNIMATE Signal - series RSV RSV1,6 S9 GR

Weidmüller Interface GmbH & Co. KG
 Klingenbergstraße 16
 D-32758 Detmold
 Germany
 Fon: +49 5231 1429-0
 Fax: +49 5231 14292083
 www.weidmueller.com

Accessories

CSL1,6E14-12 1582390000 SN I4,2	PCB plug-in connector, Crimp contact, Individual contact, Pin – long, tinned, Max. clamping range : 2.5 mm ²	4008190166762 250 pc(s).		Box
CSL1,6R18-16 1582360000 SN I3,5	PCB plug-in connector, Crimp contact, Reel packaged, Pin – long, tinned, Max. clamping range : 1.5 mm ²	4008190063214 4,000 pc(s).		Box
Discontinued 2016-09-01T00:00:00+02:00	CSL1,6R22-20 AU,75 I1,8 1565850000	PCB plug-in connector, Crimp contact, Reel packaged, Pin – long, Gold-plated, Max. clamping range : 0.5 mm ²	4008190176600	5,000 pc(s).

Pin contact standard



For a reliable contact - CB/CS crimp contact.

The combination of RSV housings and Weidmüller's crimp contacts enable custom adaptations to the specific requirements of your applications. The following product options are available depending on the system:

- Safe centring of the contacts using the three-segment pin tips
- High contact reliability using four defined contact points
- Locking clasp in the cantilever spring for a secure mount of the contacts in the housing
- Pin contacts with two lengths to implement leading-pin contacts
- Up to 100 plugging cycles (tin version)
- Up to 500 plugging cycles (gold version)

The appropriate high-quality tools from Weidmüller guarantee professional processing.

General ordering data

Delivery status Available until	Type	Order No.	Version	GTIN (EAN)	Qty.
Discontinued 2016-09-01T00:00:00+02:00	CS1,6R26-24 SN I1,4	1421500000	PCB plug-in connector, Crimp contact, Reel packaged, Pin – standard, tinned, Max. clamping range : 0.25 mm ²	4008190064310	5,000 pc(s).
CS1,6E26-24 1420600000 AU,75 I1,4	PCB plug-in connector, Crimp contact, Individual contact, Pin – standard,	4008190082772 250 pc(s).			Box

OMNIMATE Signal - series RSV
RSV1,6 S9 GR

Weidmüller Interface GmbH & Co. KG
 Klingenbergstraße 16
 D-32758 Detmold
 Germany
 Fon: +49 5231 1429-0
 Fax: +49 5231 14292083
 www.weidmueller.com

Accessories

		Gold-plated, Max. clamping range : 0.25 mm ²		
CS1,6E14-12 SN I4,2	1582310000	PCB plug-in connector, Crimp contact, Individual contact, Pin – standard, tinned, Max. clamping range : 2.5 mm ²	4008190032975 250 pc(s).	Box
CS1,6R22-20 SN I1,8	1423500000	PCB plug-in connector, Crimp contact, Reel packaged, Pin – standard, tinned, Max. clamping range : 0.5 mm ²	4008190085063 5,000 pc(s).	Reel
CS1,6R18-16 SN I3,5	1582280000	PCB plug-in connector, Crimp contact, Reel packaged, Pin – standard, tinned, Max. clamping range : 1.5 mm ²	4008190029401 4,000 pc(s).	Reel
CS1,6E14-12 AU,75 I4,2	1582290000	PCB plug-in connector, Crimp contact, Individual contact, Pin – standard, Gold-plated, Max. clamping range : 2.5 mm ²	4008190015244 250 pc(s).	Box
CS1,6R22-20 AU,75 I2,5	1424500000	PCB plug-in connector, Crimp contact, Reel packaged, Pin – standard, Gold-plated, Max. clamping range : 0.5 mm ²	4008190158811 5,000 pc(s).	Reel
CS1,6R22-20 AU,75 I1,8	1422500000	PCB plug-in connector, Crimp contact, Reel packaged, Pin – standard, Gold-plated, Max. clamping range : 0.5 mm ²	4008190093648 5,000 pc(s).	Reel
CS1,6R14-12 AU,75 I3,5	1428500000	PCB plug-in connector, Crimp contact, Reel packaged, Pin – standard, Gold-plated, Max. clamping range : 2.5 mm ²	4008190023201 3,000 pc(s).	Reel
CS1,6E22-20 AU,75 I2,5	1424600000	PCB plug-in connector, Crimp contact, Individual contact, Pin – standard, Gold-plated, Max. clamping range : 0.5 mm ²	4008190186562 250 pc(s).	Box
CS1,6R22-20 SN I2,5	1425500000	PCB plug-in connector, Crimp contact, Reel packaged, Pin – standard, tinned, Max. clamping range : 0.5 mm ²	4008190004781 5,000 pc(s).	Reel
CS1,6E14-12 AU,75 I3,5	1428600000	PCB plug-in connector, Crimp contact, Individual contact, Pin – standard, Gold-plated, Max. clamping range : 2.5 mm ²	4008190078867 250 pc(s).	Box
Discontinued 2016-04-08T00:00:00+02:00		CS1,6RB18-16 AU,75 I3,5 1017080000	PCB plug-in connector, Crimp	4032248727711 4,000 pc(s).

OMNIMATE Signal - series RSV
RSV1,6 S9 GR

Weidmüller Interface GmbH & Co. KG
 Klingenbergstraße 16
 D-32758 Detmold
 Germany
 Fon: +49 5231 1429-0
 Fax: +49 5231 14292083
 www.weidmueller.com

Accessories

contact, Reel
 packaged, Pin –
 standard, Gold-
 plated, Max.
 clamping range :
 1.5 mm²

CS1,6R14-12 SN I3,5	1429500000	PCB plug-in connector, Crimp contact, Reel packaged, Pin – standard, tinned, Max. clamping range : 2.5 mm ²	4008190113919 4,000 pc(s).	Reel	
CS1,6E18-16 AU,75 I3,5	1582250000	PCB plug-in connector, Crimp contact, Individual contact, Pin – standard, Gold-plated, Max. clamping range : 1.5 mm ²	4008190135614 250 pc(s).	Box	
CS1,6E22-20 AU,75 I1,8	1422600000	PCB plug-in connector, Crimp contact, Individual contact, Pin – standard, Gold-plated, Max. clamping range : 0.5 mm ²	4008190090463 250 pc(s).	Box	
CS1,6E26-24 SN I1,4	1421600000	PCB plug-in connector, Crimp contact, Individual contact, Pin – standard, tinned, Max. clamping range : 0.25 mm ²	4008190009939 250 pc(s).	Box	
CS1,6E18-16 SN I2,5	1427600000	PCB plug-in connector, Crimp contact, Individual contact, Pin – standard, tinned, Max. clamping range : 1.5 mm ²	4008190090654 250 pc(s).	Box	
CS1,6E22-20 SN I1,8	1423600000	PCB plug-in connector, Crimp contact, Individual contact, Pin – standard, tinned, Max. clamping range : 0.5 mm ²	4008190061876 250 pc(s).	Box	
CS1,6E14-12 SN I3,5	1429600000	PCB plug-in connector, Crimp contact, Individual contact, Pin – standard, tinned, Max. clamping range : 2.5 mm ²	4008190030728 250 pc(s).	Box	
CS1,6E18-16 AU,75 I2,5	1426600000	PCB plug-in connector, Crimp contact, Individual contact, Pin – standard, Gold-plated, Max. clamping range : 1.5 mm ²	4008190182861 250 pc(s).	Box	
Discontinued	2016-09-01T00:00:00+02:00	CS1,6R14-12 AU,75 I4,2	1582300000	PCB plug-in connector, Crimp contact, Reel packaged, Pin – standard, Gold- plated, Max. clamping range : 2.5 mm ²	4008190020668 3,000 pc(s).

Data sheet

OMNIMATE Signal - series RSV RSV1,6 S9 GR

Weidmüller Interface GmbH & Co. KG
 Klingenbergstraße 16
 D-32758 Detmold
 Germany
 Fon: +49 5231 1429-0
 Fax: +49 5231 14292083
 www.weidmueller.com

Accessories

CS1,6R14-12 1582320000 SN I4,2	PCB plug-in connector, Crimp contact, Reel packaged, Pin – standard, tinned, Max. clamping range : 2,5 mm ²	4008190008680 3,000 pc(s).	Reel
CS1,6R18-16 1427500000 SN I2,5	PCB plug-in connector, Crimp contact, Reel packaged, Pin – standard, tinned, Max. clamping range : 1,5 mm ²	4008190014551 5,000 pc(s).	Reel
CS1,6R18-16 1582260000 AU,75 I3,5	PCB plug-in connector, Crimp contact, Reel packaged, Pin – standard, Gold-plated, Max. clamping range : 1,5 mm ²	4008190184100 4,000 pc(s).	Reel
CS1,6E22-20 1425600000 SN I2,5	PCB plug-in connector, Crimp contact, Individual contact, Pin – standard, tinned, Max. clamping range : 0,5 mm ²	4008190048884 250 pc(s).	Box
CS1,6R18-16 1426500000 AU,75 I2,5	PCB plug-in connector, Crimp contact, Reel packaged, Pin – standard, Gold-plated, Max. clamping range : 1,5 mm ²	4008190159146 5,000 pc(s).	Reel
CS1,6E18-16 1582270000 SN I3,5	PCB plug-in connector, Crimp contact, Individual contact, Pin – standard, tinned, Max. clamping range : 1,5 mm ²	4008190126049 250 pc(s).	Box
Discontinued 2016-09-01T00:00:00+02:00	CS1,6R26-24 AU,75 I1,4 1420500000	PCB plug-in connector, Crimp contact, Reel packaged, Pin – standard, Gold- plated, Max. clamping range : 0,25 mm ²	4008190117931 5,000 pc(s).

**OMNIMATE Signal - series RSV
RSV1,6 S9 GR**

Weidmüller Interface GmbH & Co. KG
 Klingenbergstraße 16
 D-32758 Detmold
 Germany
 Fon: +49 5231 1429-0
 Fax: +49 5231 14292083
 www.weidmueller.com

Accessories

Strain reliefs



For frequent load changes: the "trailer coupling" for plug-in connectors.

The strain relief can do more than just relieve the strain on conductors:

Simply clip onto the plug and

- bundle conductors
- guide cables
- use as a connection and disconnection aid

No damage to the connecting points, clear, tidy wiring and easy to handle.

User advantages: permanent heavy-duty connections for harsh industrial environments and convenient operation ensure improved system availability.

General ordering data

Type	Order No.	Version	GTIN (EAN)	Qty.	Product data	Packaging
RSV1,6 ZE12 BK BX	1563300000	PCB plug-in connector, Accessories, Strain relief, Black, No. of poles: 12	4008190095871	25 pc(s).		Box

Addresses worldwide

Let's connect.

- AE United Arab Emirates**
Weidmüller Middle East FZE
Warehouse Q3-79
SAIF-Zone
P.O. BOX 8591
Sharjah
Telephone number +971 65572723
Fax number +971 65572724
wme.info@weidmueller.com
- AF Afghanistan**
Representative Office

AF 11050 Beograd
Telephone number +381 11 2885 274
Fax number +381 11 2885 274
zoran.rabrenovic@weidmueller.com
- AO Angola**
Please contact
Phambili Interface
South Africa
- AR Argentina**
CPI SA
Bauness 2660
C1431DOF Buenos Aires
Telephone number +54 11 4523 8008
Fax number +54 11 4522 0546
info@cpi.com.ar
www.cpi.com.ar
- AT Austria**
Weidmüller GmbH
IZ NOE Süd, Str. 2b, Obj. M59,
2355 Wiener Neudorf
Telephone number +43 2236 67080
Fax number +43 2236 6708-899
office.at@weidmueller.com
www.weidmueller.com
- AU Australia**
Weidmüller Pty. Ltd.
PO BOX 6944
Huntingwood 2148
Huntingwood Drive 43
Huntingwood NSW 2148
Telephone number +61 2 9671 9999
Fax number +61 2 9671 9911
info@weidmuller.com.au
www.weidmuller.com.au
- AZ Azerbaijan**
Representative Office
Weidmüller Interface
Demirchi Tower, 4th floor
37, Khojali ave.
AZ 1025 Baku
Telephone number +994 12 488 80 36
Fax number +994 12 488 80 37
aliyar.hashimli@weidmueller.com
- BA Bosnia and Herzegovina**
Please contact
our Representative Office
Weidmüller Interface GmbH
& Co. KG
Serbia

or
BH ES Elektrosistem d.o.o.
Palih boraca 104
78000 Banja Luka
Telephone number +387 51 420 340
Fax number
elsist@inecco.net
www.elektrosistem.ba
BIG electric d.o.o
Mladena Stojanovića 117A
78000 Banja Luka
Telephone number +387 51926277
Fax number +387 51926277
bigelectric@blic.net
www.bigelectric.ba
- BE Belgium**
Weidmüller Benelux B. V.
Mechelsesteenweg 519 bus
6 en 7
1930 Nossegem
Telephone number +32 2 752 40 70
Fax number +32 2 751 36 06
info@weidmueller.be
www.weidmueller.be
- BG Bulgaria**
Weid-Bul EOOD
Bul. „Kliment Ohridski“ 13
1756 Sofia
Telephone number +359 2 963 2560
Fax number +359 2 963 1098
sofia@weidbul.com
www.weidbul.com
- BH Bahrain**
Khayber Trading Company
P.O.Box 1976
Manama
Telephone number +973 720747
Fax number +973 720331
khayber@batelco.com.bh
- BR Brazil**
Weidmüller Conexel do Brasil
Conexões Elétricas Ltda.
Av. Presidente Juscelino, 642
- Piraporinha
Diadema, São Paulo
09950-370
Telephone number +55 (11) 4366-9600
Fax number +55 (11) 4362-1677
vendas@weidmueller.com.br
www.weidmueller.com.br
- BW Botswana**
Please contact
Phambili Interface
South Africa
- BY Belarus**
TECHNIKON Ltd.
Nezavisimosti pr. 177-9
220125 Minsk
Telephone number +375 17 393-11-77
Fax number +375 17 3930080
wm@technikon.by
- CA Canada**
W Interconnections Canada
Inc.
10 Spy Court
Markham Ontario L3R 5H6
Telephone number +1 (905) 475-1507 Ext. 9836
Fax number +1 (905) 475-2798
support@weidmuller.ca
www.weidmuller.ca
- CG Congo**
Please contact
Phambili Interface
South Africa
- CH Switzerland**
Weidmüller Schweiz AG
Rundbuckstraße 2
8212 Neuhausen am
Rheinfall SH
Telephone number +41 52 674 07 07
Fax number +41 52 674 07 08
info@weidmueller.ch
www.weidmueller.ch
- CL Chile**
CPI CHILE LTDA
Av. Presidente Frei Montalva
6001, 47 complejo el cortijo
Santiago - Conchalí
Telephone number +562 963 8440
Fax number +562 963 8440
cpi@cpichile.cl
www.cpichile.cl
- CN China**
Weidmüller Interface
(Shanghai) Co. Ltd.
100 Yutong Road
25 F. BM Intercontinental
Business Center
200070 Shanghai
Telephone number +86 21-22195008
Fax number +86 21-22195009
customer.hotline@weidmueller.com.cn
www.weidmueller.com.cn
- CO Colombia**
Automatización Avanzada
S. A.
Carrera 97 No., 24 c.-23
Bodega 4
110911 Bogotá-D.C.
Telephone number +57 (1) 547-8510
Fax number +57 (1) 422-3044
comercial@automatizacionavanzada.com
www.automatizacionavanzada.com
- CR Costa Rica**
ELVATRON S. A.
la Uruca 400 Norte Banco
Costa Rica
San Jose Costa Rica
Telephone number +506 2961-060
Fax number +506 5200-609
dirk.haase@elvatron.com
www.elvatron.com
- CZ Czech Republic**
Weidmüller s.r.o.
Lomnického 5/1705
140 00 Praha 4
Telephone number +420 244 001 400
Fax number +420 244 001 499
office@weidmueller.cz
www.weidmueller.cz
- DE Germany**
Weidmüller GmbH & Co. KG
Ohmstraße 9
32758 Detmold
Postfach 30 54
32720 Detmold
Telephone number +49 5231 1428-0
Fax number +49 5231 14-292083
weidmueller@weidmueller.de
www.weidmueller.de
- DK Denmark**
Weidmüller Danmark
Vallensbækvej 18A
2605 Brøndby
Telephone number +45 27747800
kundeservice@weidmuller.dk
www.weidmuller.dk
- DZ Algeria**
SARL INTER ELECTRIC
1a Angles des Rues Okba Ibn
Nafaa et Hassi Beida
2300 Annaba
Telephone number
Fax number
contact@inter-electric.com
- EC Ecuador**
Elsystec S. A., Electricidad
Sistemas y Tecnología
Vasco de Contreras N35-251
y Mañosa
Quito - Pichincha
Telephone number +593 22456510
Fax number +593 22456755
Elsystec@uio.satnet.net
- EE Estonia**
Please contact
our Representative Office
Weidmüller Interface GmbH
& Co. KG
Latvia

or
SLO Eesti AS

11415 Tallinn
Telephone number +372 6 272 200
Fax number
info@slo.ee

SLO Eesti AS

12618 Tallinn
Telephone number +372 622.9119
Fax number
elit@elit.ee

Soots Interface OÜ
Pärnu mnt 142
11317 Tallinn
Telephone number +372 609 6933
Fax number
info@sootsinterface.ee
www.sootsinterface.ee
- EG Egypt**
Standard Electric (OMEGA)
1, Abdelhamid Badawy Street
Heliopolis
Cairo
Telephone number +202 21805 111
Fax number +202 21805600
stdelec@rite.com
- ES Spain**
Weidmüller, S. A.
Narcis Monturiol 11-13, Pol.
Ind. Sudoeste
8960 Sant Just
Desvern - Barcelona
Telephone number +34 934 803 386
Fax number +34 933 718 055
weidmuller@weidmuller.es
www.weidmuller.es
- FI Finland**
Weidmüller Suomi,
Weidmüller Aktiebolagetin
sivuliike
Koy Plaza Vivace
Äyritie 8C
FI 15100 Vantaa
Telephone number +358 20 7351300
Fax number +358 800 114 667
asiakaspalvelu@weidmuller.fi
www.weidmuller.fi
- FR France**
Weidmüller E. U. R. L.
2 Boulevard de l'Oise
CS 31100 CERGY
95095 CERGY PONTOISE
Cedex
Telephone number +33 1 34 24 55 00
Fax number +33 1 34 24 55 01
mail@weidmuller.fr
- GB Great Britain**
Weidmüller Ltd.
Klippon House
Centurion Court Office Park,
Meridian East, Meridian
Business Park
Leicester
LE19 1TP
Telephone number +44 116 282 3470
Fax number +44 116 289 3582
marketing@weidmuller.co.uk
www.weidmuller.co.uk
- GE Georgia**
Please contact
our Representative Office
Weidmüller Interface
Azerbaijan.
- GH Ghana**
Please contact
our Representative Office
Weidmüller Interface GmbH
& Co. KG
South Africa.
- GR Greece**
G.A. Solutions
Ippokratous 11 Metamorfsi
144 52 Athens
Telephone number +30 210 2823233
Fax number +30 210 2823233
info@weidmuller.gr
www.weidmuller.gr
- GT Guatemala**
Prestelectro, Prestegard
Electro, S.A.
Avenida Petapa 44-22,
Zona 12
Guatemala City
Telephone number +502 2442-3346
Fax number +502 2476-8945
ventas@prestelectro.com
- HK Hong Kong**
Weidmüller (Hong Kong)
Limited Co. Ltd.
Unit 1617, Metropolis Tower
No. 10 Metropolis Drive,
Hung Hom, Kowloon
Telephone number +852 3154 8088
Fax number +852 31548099
Info-hk@weidmueller.com.hk
- HR Croatia**
ElektroPARTNER d.o.o.
Slavonska avenija 24/6
HR-10000 Zagreb
Telephone number +385 (1) 6184 793
Fax number +385 (1) 6184 795
elektropartner@zg.t-com.hr
www.elektropartner.hr
- HU Hungary**
Weidmüller Kereskedelmi Kft.
Budapest
Gubacsi út 6.
1097
Telephone number +36 1 382 7700
Fax number +36 1 382 7701
info@weidmueller.hu
www.weidmueller.hu
- ID Indonesia**
PT. Nego Electrindo
Ruko Mega Grosir Cempaka
Mas Blok I No. 20 - 22
Jakarta 10640
Telephone number +62 21 42882266
Fax number +62 21 42882266
sales@negoelectrindo.co.id
- IE Ireland**
Please contact
Weidmüller Ltd.
Great Britain
- IL Israel**
A. U. Shay Ltd.
23/25, Embar Street
49222 Petach-Tikva
P.O. Box 1 00 49
49222 Petach-Tikva
Telephone number +972 3-923-3601
Fax number +972 3-923-4601
shay@uriel-shay.com
www.uriel-shay.com
ATEKA Ltd.
4, Ha Tavor lane Industrial
area Segula
49691 Petach-Tikva
P.O. Box 4710
Petach-Tikva
Telephone number +972 73-200-1311
Fax number +972 3-924 4245
marketing@ateka.co.il
www.ateka.co.il



You can find all Weidmüller addresses and your local contact on the internet at: www.weidmuller.com/countries

Sales company 

Representation abroad 

without representation abroad 

Let's connect.

- IN India**
Representative Office
Weidmüller Electronics India
Pvt. Ltd.
No. 9, Union Street, Off.
Infantry Road
BANGALORE
560 001
Telephone number +91-80-
22860028
wmi@weidmuller.in
www.weidmuller.com
- IR Iran**
Representative Office
Tamin Ehtajat Fanni Tehran
(TAF Co.)
No. 36, West 4th St., Ettehad
Ave. Damavand Rd.
Tehran - 1658674583, Iran
Telephone number +9821
77120809
info@taf-co.com
http://www.taf-co.com
- IS Iceland**
Samey Automation Center
Lyngas 13
210 Garoabaer
Telephone number +354
510 5200
Fax number +354 5 10 5201
Samey@samey.is
www.samey.is
- IT Italy**
Weidmüller S. r.l.
Via Albert Einstein 4
20092 Cinisello
Balsamo Milano
Telephone number +39 02
860681
Fax number +39 02
6124945
weidmuller@weidmuller.it
www.weidmuller.it
- JM Jamaica**
Please contact
W Interconnections Inc.
United States
- JO Jordan**
Billeh Electricals Mat. Co.
PO Box 4343
Amman
Telephone number +962 6
4656 987
Fax number +962 6 4649
216
- JP Japan**
Nihon Weidmüller Co. Ltd.
Sphere Tower Tennoz 2-2-8
Higashi-Shinagawa,
Shinagawa-ku
Tokyo
140-0002
Telephone number +81 3
6711 5300
Fax number +81 3 6711
5333
info@weidmuller.co.jp
www.weidmuller.co.jp
- KE Kenya**
Please contact
our Representative Office
Weidmüller Interface GmbH
& Co. KG
South Africa.
- KG Kyrgyzstan**
Please contact
our Representative Office
Weidmüller Interface
Azerbaijan.
- KR Korea**
Weidmüller Korea Co. Ltd.
9th floor
429, Teheran-ro, Gangnam-Gu
Seoul 135-721
Telephone number +82
2-516-0003
Fax number +82 2-516-0090
info@weidmuller.co.kr
www.weidmuller.co.kr
- KW Kuwait**
Kana Controls General Trading
& Contracting Co. W. L. L.
Al Rai Industrial Area, Plot
28-30, St. 31
13016 Safat
B.P. 25593
Telephone number +965
4741373
Fax number +965 4741537
info@kanacontrols.com
- Petroleum Services Co. W.L.L.
Kuwait Trade Free Zone Area
P.O. Box 4098 Safat 13041
- Telephone
number +96524610801/2/3
ext. 208 II
Fax number +96524613754
psc-systems@petserv.net
- KZ Kazakhstan**
Please contact
Weidmüller Group
Russia
- LB Lebanon**
Progress Engineering &
Trading Enterprises
Al Nahr Street
Beirut 11-1111
Telephone number +961 1
444 664
Fax number +961 1 561 880
progress@inco.com.lb
- LT Lithuania**
Please contact
our Representative Office
Weidmüller Interface GmbH
& Co. KG
Latvia
- or
- ELEKTROS IRANGA
Tinklu g. 29 a
LT-5319 Panevezys
Telephone number +370 (45)
582 828
Fax number +370 (45)
582 727
info@eliranga.lt
- UAB „SLO Lithuania“
Vilkpėdės g. 4
LT-LT-03151 Vilnius
Telephone number +370 5
215 00 70
Fax number +370 5 215
00 71
biuras@slo.lt
- LU Luxembourg**
Please contact
Weidmüller Benelux B. V.
Netherlands
- LV Latvia**
SIA Abi4
Daugavgrivas 49 k3
Riga, LV-1007
Telephone number +371 674
70999
Fax number
abi_4@tvnet.lv
- Representative Office
Weidmüller Interface GmbH
& Co. KG
Udens str. 12-118
Riga, LV-1007
Telephone number +371
29254766
Fax number
lgonis.rudaks@weidmuller.
com
www.weidmuller.com
- MA Morocco**
Sofimed
137, Bd Moulay Ismail Roches
Noires
20290 Casablanca
Telephone number
Fax number
contact@sofimedmaroc.com
- MD Moldova**
Inoxpa Solutions SRL
20, Igor Vieru street
MD-2075 Chisinau
Moldova
Telephone number +373 (22)
866665
Fax number +373 (22)
866663
atiuleanu@gmp-moldova.com
www.gmp-moldova.com
- ME Montenegro**
Please contact
our Representative Office
Weidmüller Interface GmbH
& Co. KG
Serbia.
- MG Madagascar**
Please contact
Phambili Interface
South Africa
- MK Macedonia**
Please contact
our Representative Office
Weidmüller Interface GmbH
& Co. KG
Serbia
- or
- ELEKTRO - SMK dooel
UL. III Makedonska brigada
b.b.
1000 Skopje
Telephone number +389
22460295
Fax number
Elektro-smk@telekabel.net.mk
- MN Mongolia**
Please contact
our Representative Office
Weidmüller Interface
Azerbaijan.
- MT Malta**
E. S. S., Electrical Supplies &
Services Ltd.
San Gwakkim Road
Mriehal
Telephone number +356
21255777
Fax number +356 21255999
robert.agius@ess.com.mt
- MU Mauritius**
Mubelo Electrical Ltd.
Office 26, Gateway building,
St Jean Road
Quatre Bornes
Mauritius
Telephone number +230
4670989
Fax number +230 4654051
richard.mubelo@orange.mu
- MW Malawi**
Please contact
our Representative Office
Weidmüller Interface GmbH
& Co. KG
South Africa.
- MX Mexico**
W Interconnections S. A.
DE C. V.
Blvd. Hermanos Serdán 698,
Col. San Rafael Oriente
72029 Puebla
Telephone number +52 (222)
268 6227
Fax number +52 (222) 286
6242
clientes@weidmuller.com.mx
- MY Malaysia**
Connect Plus Technology
Sdn Bhd
No. 43, Jalan PJS 11/22,
Bandar Sunway
46150 Petaling Jaya
Selangor Darul Ehsan
Telephone number +60 3
5633 7363
Fax number +60 3 5633
6562
paul@cptech.com.my
www.cptech.com.my
- MZ Mozambique**
Please contact
Phambili Interface
South Africa
- NA Namibia**
Please contact
Phambili Interface
South Africa
- NG Nigeria**
Please contact
Weidmüller Interface GmbH
& Co. KG
South Africa
- NL Netherlands**
Weidmüller Benelux B. V.
Franciscusweg 221
1216 SE Hilversum
P.O. Box 1505
1200 BM Hilversum
Telephone number +31 35
626 12 61
Fax number +31 35 623
20 44
info@weidmuller.nl
www.weidmuller.nl
- NO Norway**
Sivilingeniør J.F. Knudtzen AS
Billingstadsetta 97
1396 Billingstad
PO Box 160
1378 Nesbru
Telephone number +47 66
98 33 50
Fax number +47 66 98 09 55
firmapost@jfknudtzen.no
www.jfknudtzen.no
- NZ New Zealand**
Cuthbert S. Steward Ltd.
27 Te Puni Street
Petone
PO Box 38496
Wellington Mail Centre 5054
Telephone number (04) 568
6156
Fax number (09) 489 1752
csi@cuthbertstewart.co.nz
- Cuthbert S. Steward Ltd
4 Fred Thomas Drive
Aon Building, Ground Floor,
South Entry
Takapuna
PO Box 100 338
North Shore City 745
Telephone number (09) 489
1751
Fax number (04) 568 6056
csiak@cuthbertstewart.co.nz
- OM Oman**
DAN INTERNATIONAL LLC.
Ghala St. 111
BP 2901
Seeb
Telephone number +968
5036 77
Fax number +968 5037 55
yedu@danintl.com
- PE Peru**
IMPEXINCA S.A.C.
Calle Ortiz de Zevallos No.
105, Urb. San Antonio
18
Lima, Miraflores
Telephone number +51 1
447 5608
info@impexinca.pe
www.impexinca.pe
J & W CIA. S. A.
Calle 6 Mz. D Lte. 23, Urb.
Ind. Grimanesa
01
Callao
Telephone number +51 1
572 2539
Fax number +51 1 572 0152
contacto@jwcia.com
www.jwcia.com
- PH Philippines**
Enclosure Systems Specialists
Inc.
2276 Don Chino Roces
Avenue Extension
Room 103/105 Narra Building
1231 Makati City
Telephone number +63 2
813 8580
Fax number +63 2 813 8596
sales_encsys@pltdsl.net
www.enclosuresystemsph.
com
- PK Pakistan**
Automation Controls (Pak)
Apartment No. 33 C III,
Chensab Block, Allama Iqbal
Town
Lahore
Telephone number +92 42
37809948
Fax number +92 42
37809950
nadeem@acpak.com.pk
www.acpak.com.pk
- PL Poland**
Weidmüller Sp. z. o. o.
ul. Ogrodowa 58
00-876 Warszawa
Telephone number +48 22
510 09 40
Fax number +48 22 510
09 41
biuro@weidmuller.com.pl
www.weidmuller.pl
- PR Puerto Rico**
Please contact
W Interconnections Inc.
United States
- PT Portugal**
Weidmüller Sistemas de
Interface S. A.
Estrada Outeiro Polima, R.
Augusto Dias da Silva, Lote
B - Esc. 2
São Domingos de Rana
2785-515 Abóboda
Telephone number +351 214
459 191
Fax number +351 214
455 871
weidmuller@weidmuller.pt
www.weidmuller.pt
- PY Paraguay**
Please contact
CPI SA
Argentina
- QA Qatar**
Doha Motors
PO Box 145
Telephone number +974
4651441
Fax number +974 4654579
dmtctech@qatar.net.qa
http://www.dohamotorsgroup.
com/td.html
- RO Romania**
Representative Office
Weidmüller Interface GmbH
& Co. KG
Inescu Crum Street, No.
1, 1st Tower, 1st Floor,
Office 4
500446 Brasov - Brasov
Business Park
Telephone number +40 (268)
446 222
Fax number +40 (268)
446 224
claudiu.totea@weidmuller.
com
www.weidmuller.ro
- RS Serbia**
Representative Office
Weidmüller Interface GmbH
& Co. KG
Ustanička 189, III sprat
lokal 7a
11050 Beograd
Telephone number +381
112885274
Fax number +381
112885274
zoran.rabrenovic@
weidmuller.com
- TeLa Elektrik d.o.o.
Ul. Dr. Drage Ljočić 6
Beograd
Telephone number +381 11
2772 415
Fax number +381 11 2772
850
office@tela.rs
www.tela.rs

Addresses worldwide

Let's connect.

RU Russia
Weidmüller Group
7/10 Khlebozavodskiy
Passage,
Moskau
115230
Telephone number +7 495
280 72 71
Fax number +7 495 280
72 71
Info@weidmueller.ru
www.weidmueller.ru

SA Saudi Arabia
Al Abdulkarim Holding Co.
P.O. Box 4
Dammam 31411
Telephone number +966 3
8337 110
Fax number +966 3
8829547
E-mail salehsk@akh.com.sa
www.weidmueller.ae

Saudi Electric Supply
Company (SESCO)
P.O. Box 32 98
Al Khobar 31952
Telephone number +966 3
8829546 Ext. 3030
Fax number
E-mail Safdar.Malik@sescogex.com
www.sescogex.com

SE Sweden
Weidmüller AB
Axel Danielssons väg 271
BOX 31025
SE-200 49 Malmö
Telephone number +46 77-
143 00 44
Fax number +46 40-37 48 60
info@weidmuller.se
www.weidmuller.se

SG Singapore
Weidmüller Pte. Ltd.
70 Bendemeer Road
04-03 Luzerne Building
Singapore 339940
Telephone number +65 6841
53 11
Fax number +65 6841 5377
info@weidmuller.com.sg
www.weidmuller.com.sg

SI Slovenia
Elektrospoji d. o. o.
Stegne 27
SI- 1000 Ljubljana
Osrednjeslovenska
Telephone number +386 1
511 3810
Fax number +386 1 511
1604
info@elektrospoji.si
www.elektrospoji.si

SK Slovakia
ELEKTRIS s.r.o.
Elektrárenská 1
831 04 Bratislava
Telephone number +421
2/4920 0113
Fax number +421 2/4920
0119
bratislava@elektris.sk

SV El Salvador
Prestegard Electro
11 Avenida Norte No. 240
Edificio Salazar No. 2
San Salvador
Telephone number +503
2271 1690
Fax number +503 2221
3851
prestegard@navegante.com.sv

SY Syria
Please contact
Weidmuller Middle East FZE
United Arab Emirates

SZ Swaziland
Please contact
Phambili Interface
South Africa

TH Thailand
Pisanu Engineering Co. Ltd.
Kwang Dingaeng, Khet
Dingaeng
800/2 Soi Trakulsuk, Asoke-
dindaeng Road
Dindaeng, Bangkok
10400
Telephone number +66 2
248 2896
Fax number +662 105 6301
ecsales@pisanu.co.th
www.pisanu.co.th

Representative Office
Weidmüller Pte. Ltd.
37/F, Sathorn Square Building
98 North Sathorn Road
Bangkok, Silom Bangrak
10500
Telephone number +66 2
105 6300
Fax number +66 2 642 9220
info@weidmuller.com.sg

TJ Tajikistan
Please contact
our Representative Office
Weidmüller Interface
Azerbaijan.

TM Turkmenistan
Please contact
our Representative Office
Weidmüller Interface
Azerbaijan.

TN Tunisia
Please contact
Weidmüller E. U. R. L.
France

TR Turkey
Weidmüller Elektronik Ticaret
Ltd. Sirketi
Kavacik Mah. Orhan Veli Kanik
Caddesi 9/1
34810 Beykoz / Istanbul
Telephone number +90 (216)
537 10 70
Fax number +90 (216) 537
10 77
info@weidmuller.com.tr
www.weidmuller.com.tr

TW Taiwan
Please contact
Weidmuller (Hong Kong)
Limited Co. Ltd.
Hong Kong

TZ Tanzania
Please contact
our Representative Office
Weidmüller Interface GmbH
& Co. KG
South Africa.

UA Ukraine
LLC WM UKRAINE
Levanevskogo str. 6
Kiev
3058
Telephone number +38 044
490 32 48
Fax number
info@wm-ua.com.ua
wm-ua.com.ua/

Representative Office
Weidmüller Interface GmbH
& Co. KG
Z. office 303
7-D, Zdolbunivska str.
Kiev, 2081
Telephone number
(mobile) +38 050 440 25 24
info.ua@weidmueller.com

US United States
W Interconnections Inc.
821 Southlake Boulevard
Richmond Virginia 23236
Telephone number +1 (804)
794-2877
Fax number +1 (804) 379-
2593
info@weidmuller.com
www.weidmuller.com

UY Uruguay
REWO Uruguay S. A.
AV. Bolivia 2001Esq
Rocafuerte
11300 Carrasco Montevideo
Telephone number +598
2604 8439
Fax number +598 2604
8439
rewo@rewo Uruguay.com.uy

UZ Republic of Uzbekistan
Please contact
our Representative Office
Weidmüller Interface
Azerbaijan.

VE Venezuela
Somerinca C. A.
Corazon de Jesus - 3ra
Transversal con calle el
Carmen- Los Dos Caminos
Caracas 1070-A
Telephone number +58
2122352748
Fax number +58
2122399341
klocmoeller@cantv.net
www.somerinca.com

VN Vietnam
AUMI Industrial Equipment &
Automation Company Limited
E1, La Thanh Hotel
218 Doi Can Street
Lieu Giai Ward, Ba Dinh
District
Hanoi City
Telephone number +84 4
37 628601
Fax number +84 4
62661391
aumi@aumi.com.vn
www.aumi.com.vn

Representative Office
Weidmüller Pte. Ltd.
Level 16 Saigon Tower
Building
29 Le Duan Street
District 1
Ho Chi Minh
Telephone number +848
3520 7717
Fax number +848 3520
7604
info@weidmuller.com.sg

ZA South Africa
Phambili Interface
PO Box 193
1609 Johannesburg, Edenvale
5 Bundo Road, Sebenza
1610 Johannesburg
Telephone number +27 (11)
4521930
Fax number
info@weidmuller.co.za
www.weidmuller.co.za

Representative Office
Weidmüller Interface GmbH
& Co. KG
210 Amarand
Avenue, Pegasus Building
181 Pretoria, waterkloof Glen
ext 2 -
Telephone number +27 12
003 2906
Fax number +27 (11)
4526455
Jacques.Vosloo@weidmueller.
com
www.weidmueller.com

ZM Zambia
Please contact
Phambili Interface
South Africa

ZW Zimbabwe
Please contact
Phambili Interface
South Africa