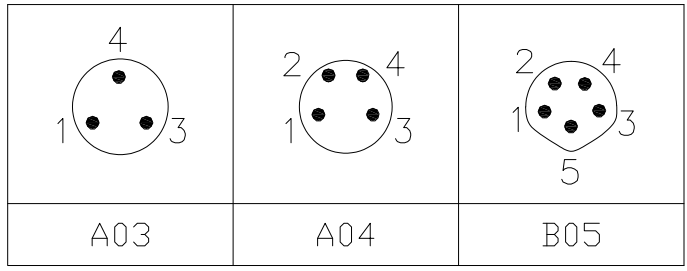


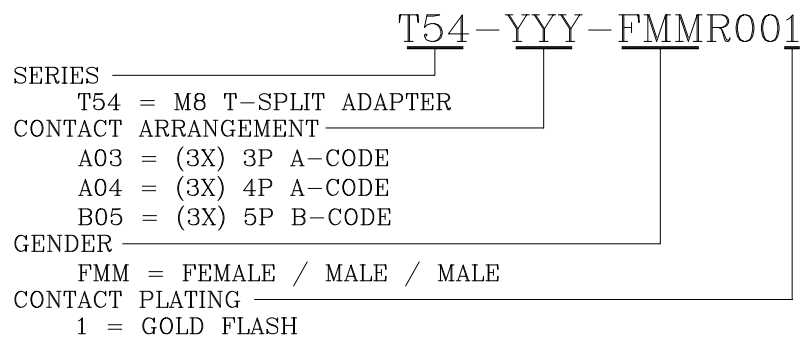
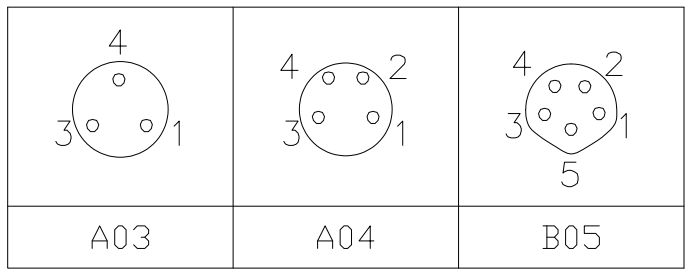
NOTE:

MATERIAL	
M12 INSULATOR	PA66, UL94V-0, BLACK
SPLITTER HOUSING	PVC & HD PE, UL94V-0, BLACK
CONTACT	GOLD FLASH PLATED BRASS
NUT	NICKEL PLATED BRASS
ELECTRICAL	
RATED CURRENT	1.5A(5P) / 3A(3/4P)
VOLTAGE	30V(5P) / 60V(3/4P)
INSULATOR RESISTANCE	100 MOhms MIN.
CONTACT RESISTANCE	10 mOhms MAX.
MATING CYCLES	100 CYCLES MIN
ENVIRONMENT	
OPERATION TEMPERATURE	-40°C TO +85°C
IP RATING	IP67 (UNCOUPLED & COUPLED)
RECOMMENDED TORQUE	0.4Nm TO 0.8Nm

MALE



FEMALE



RoHS COMPLIANT



THESE DRAWINGS AND SPECIFICATIONS ARE THE PROPERTY OF NorComp AND SHALL NOT BE REPRODUCED, COPIED OR USED AS THE BASIS FOR THE MANUFACTURE OR SALE OF APPARATUS WITHOUT WRITTEN PERMISSION.

DRAWN: J. KADEL
 DATE: 12/20/2021

TOLERANCES
 .x ±0.5
 .xx ±0.2
 ANGULAR ±1°

UNITS = mm

DO NOT SCALE FROM DRAWING



SCALE: NTS	SHEET 1 OF 1	REV 2
DWG NO. T54-YYY-FMMR001		