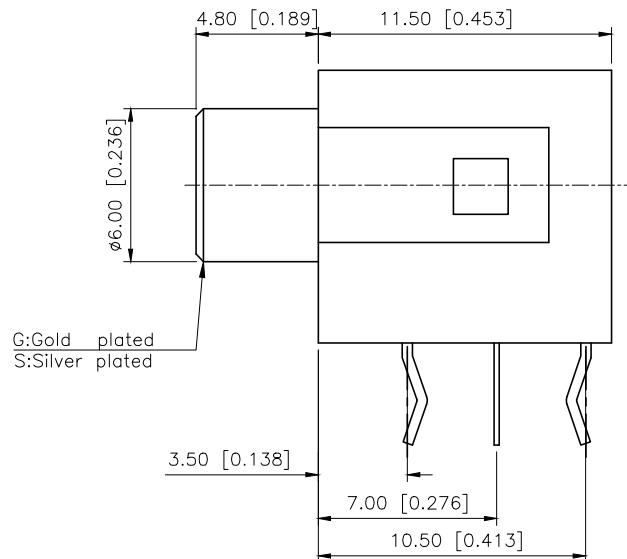
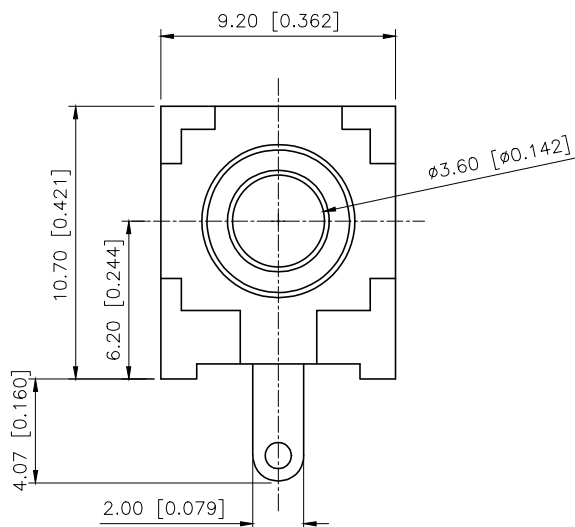
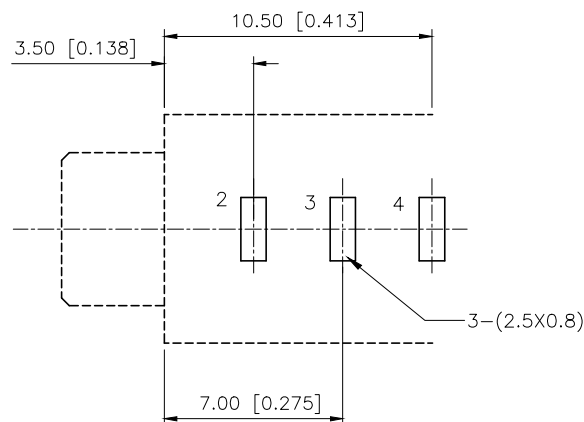


REVISIONS					
REV.	ECN NO.	LOCATION	DESCRIPTION	DATE	DESIGN
A0	N/A		INITIAL RELEASE	/	/
A1	N/A		图面升级整理图面	2025.06.26	阿树

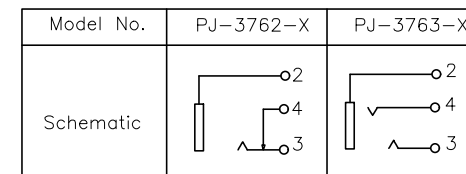


G:Gold plated
S:Silver plated

SPECIFICATION
 1.Rating: DC 30V 0.5A;
 2.Contact resistance: ≤50mΩ;
 3.Insulation resistance: ≥100mΩ (DC250V)
 4.Withstand voltage: 500VAC;
 5.Insertion and extraction force: 3-25N;
 6.life test: 5,000 cycles.



PCB Layout



	Plastic	PBT	
Terminal 4	Phosphor Bronze	TIN	
Terminal 3	Phosphor Bronze	TIN	
Terminal 2	Phosphor Bronze	TIN	
PAPT NAMF	MATERIAL	PLATING	

AuGLAR	±5°
X.	±0.40
X.x	±0.30
X.xx	±0.20
X.xxx	±0.15
UNSPECIFIED TOLERANCES	



DESIGN	阿树	VIEW:	MODEL TYPE: 3.5 PHONE JACK
CHECKED		UNIT: mm/in	PART NO.: PJ-376X-X
APPROVED		SIZE: A4	DWG NO.: