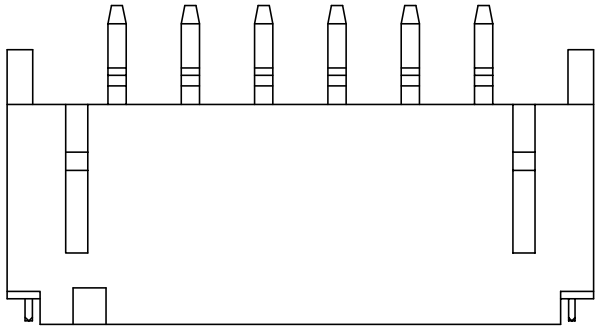
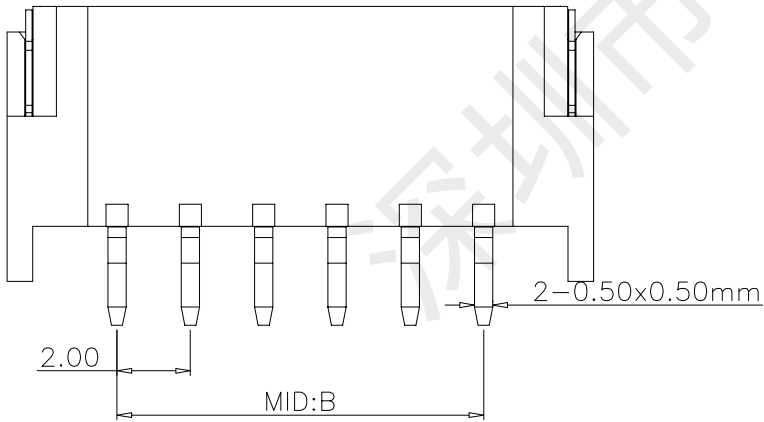
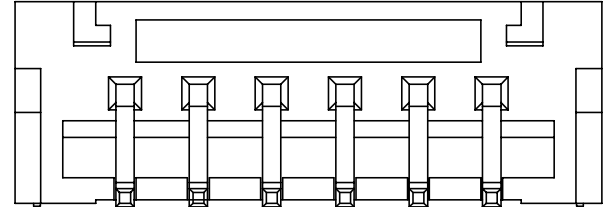
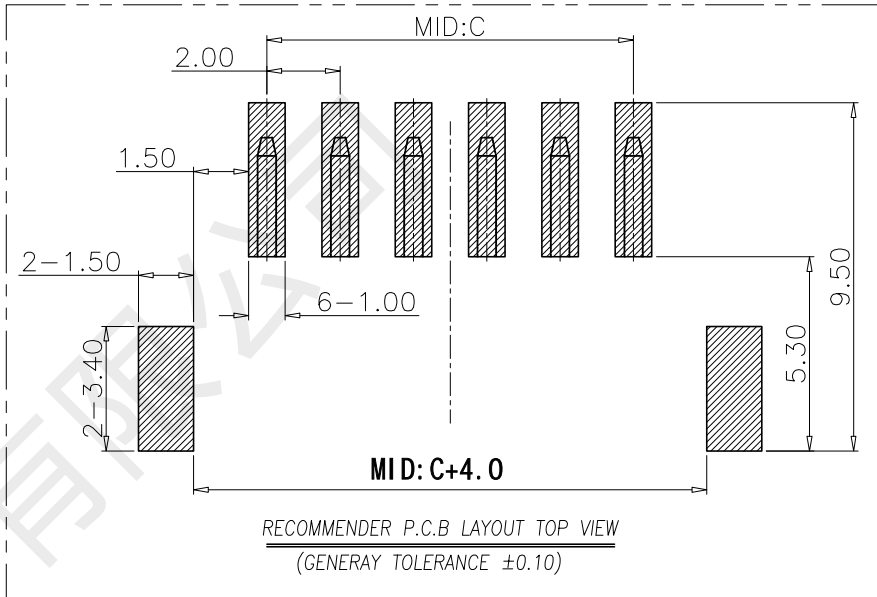
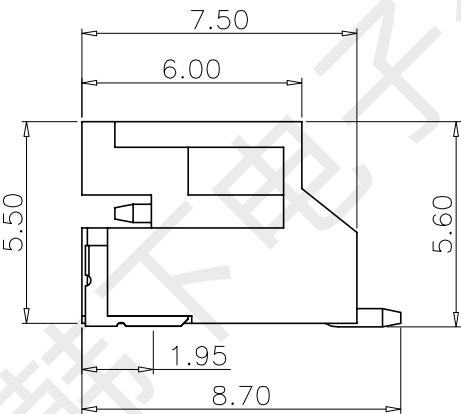
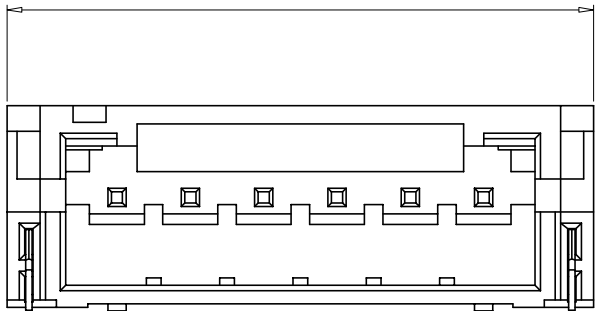


Rev No.	Description of Revision	Date	Name	Approved	ECN No.



MID. A



PIN数	MID. A	MID. B	MID. C
2P	8.00	2.00	2.00
3P	10.00	4.00	4.00
4P	12.00	6.00	6.00
5P	14.00	8.00	8.00
6P	16.00	10.00	10.00

③	端子	黄铜H65	镀亮锡	6PCS
②	固定片	黄铜H65	镀亮锡	2PCS
①	塑胶主体	LCP	本色	1PCS
序号	配件名称	材质	电镀颜色	数量

- Specifacatons:
- 1.Rated Voltage :125V AC/DC
 - 2.Rated Current : 2A AC,DC
 - 3.Withstand Voltage :200V AC/minute
 - 4.Contact Resistance:50mΩ (MAX.)
 - 5.Insulation Resistance:100mΩ (MIN.)
 - 6.Storage Temperature Range:-40°C~+85°C;
 - 7.Operation Temperature Range:-25°C~+70°C;

UNLESS OTHERWISE SPECIFIED TOLERANCES

韩下 HANXIA 深圳市韩下电子有限公司

TITLE: HX-PH2. 0-4AWB

DECIMALS:	ANGLES	Drwn: 黄彬	PART NO: WF003-LT200~
X. ±0.15	X' ±2'	Checked: 张伟	SCALE: 1:8
X.X ±0.10	X.X' ±1'	Approved: 罗小春	UNIT: mm
X.XX ±0.05	X.XX' ±0.5'	SIZE: A4	SHEET: 1 OF 1
X.XXX ±0.03			REV: A

CUSTOMER COPY