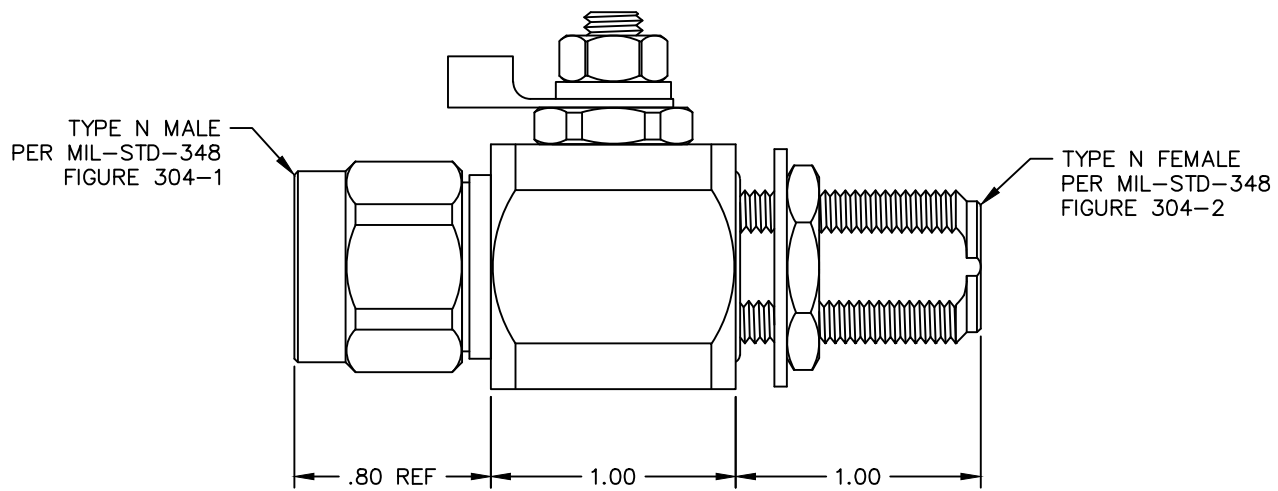


MODEL NUMBER
CGS-1030-00-NNN-34


NOTES:

- 1. MATERIAL & FINISH:
 - 1.1 HOUSING & COUPLING NUT: TRI-ALLOY PLATED BRASS
 - 1.2 CENTER CONTACTS:
 - 1.2.1 MALE: GOLD PLATED BRASS
 - 1.2.2 FEMALE: GOLD PLATED BERYLLIUM COPPER
- 2. SPECIFICATIONS:
 - 2.1 FREQUENCY RANGE: DC TO 3 GHz
 - 2.2 IMPEDANCE: 50 OHMS NOMINAL
 - 2.3 INSERTION LOSS (MAX):
 - 2.3.1 DC TO 2.5 GHz: 0.25 dB
 - 2.3.2 2.5 TO 3.0 GHz: 0.30 dB
 - 2.4 SURGE CAPABILITY (8/20 μ s): 10 KA NOMINAL
 - 2.5 VSWR (MAX): 1.20:1



REV.	DESCRIPTION	DATE
001	ECO 26067	5/22/19

RoHS
2015/863/EU

NOTICE: The information contained in this drawing is proprietary and must not be used without the permission of Cinch Connectivity Solutions. UNLESS OTHERWISE NOTED DIMENSIONS ARE IN INCHES AND TOLERANCES ARE: 3 PLACE DECIMALS \pm .005 2 PLACE DECIMALS \pm .02 FRACTIONS \pm 1/64 PARALLELITY: T.I.R. _____ FLATNESS: T.I.R. _____ CONCENTRICITY: T.I.R. _____ ANGLES AND PERPENDICULARITY: \pm 2'	CAGE CODE 34078	MIDWEST MICROWAVE	
		TITLE TYPE N SURGE ARRESTER DC-3 GHz	
DRAWN/DATE J. KEREKES 5/22/19	ENG./DATE J. KEREKES 5/22/19	DRAWING NUMBER CGS-1030-00-NNN-34-01	REV. 001
CHECKED/DATE _____ 5/22/19	APPROVED/DATE M. DVORAK 5/22/19	SCALE: 2:1	SHEET 1 of 1