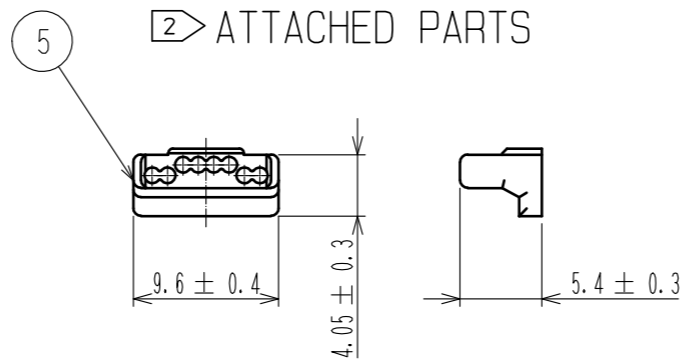
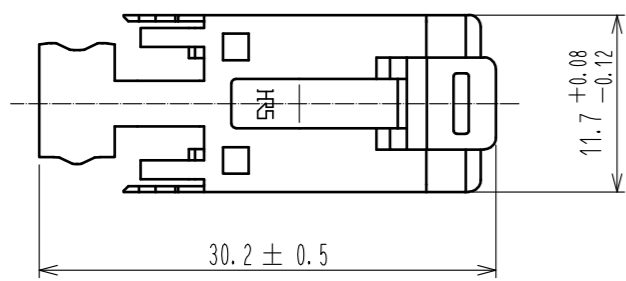
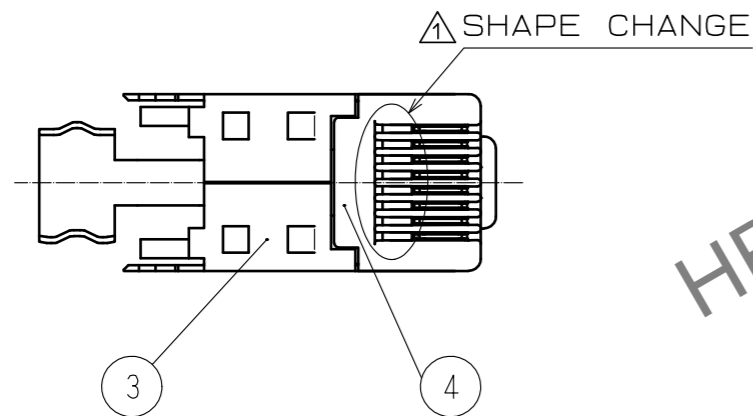
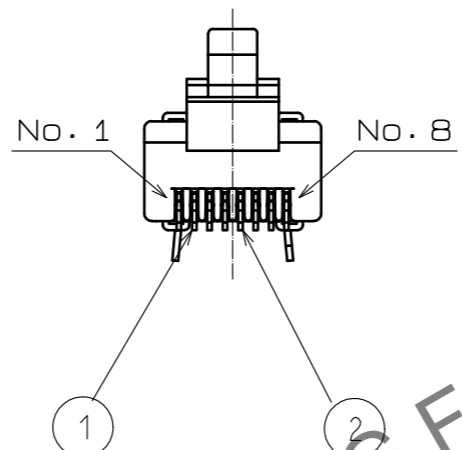
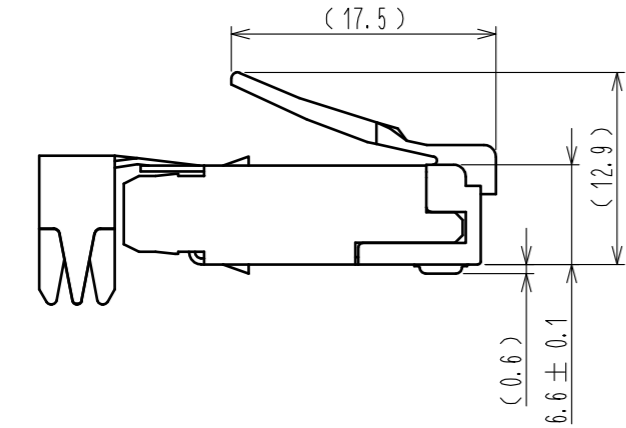


Jun.1.2024 Copyright 2024 HIROSE ELECTRIC CO., LTD. All Rights Reserved.
 In case of consideration for using Automotive equipment / device which demand high reliability, kindly contact our sales window correspondents.



1 TABLE-1

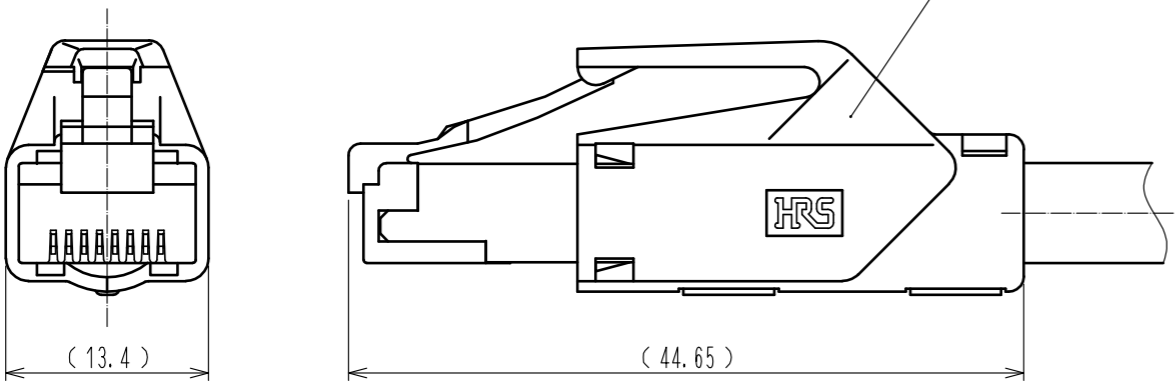
APPLICABLE CABLE WIRE		
	CONDUCTOR	AWG#24 STRANDED WIRE ~ AWG#27 STRANDED WIRE
	INSULATOR DIAMETER	($\phi 0.9 \sim \phi 1.0$)
JACKET DIAMETER		($\phi 5.8 \sim \phi 6.0$)



5 CL222-2862-9-**
 TM21P-88P(**)

- NOTES
- 1 APPLICABLE CABLE IS SHOWN IN TABLE-1
 - 2 PLEASE USE ACCESSORY AS A GUIDE PLATE AND ASSEMBLE CONNECTOR WITH CABLE INSERTING ACCESSORY INTO CONNECTOR.
 - 3 () INDICATES THE REFERENCE DIMENSIONS.
 - 4 TO SATISFY CAT6a PERFORMANCE, PLEASE ASSEMBLE ACCORDING TO HRS INSTRUCTION. (ETAD-E2847)
 - 5 COLORS ARE DIFFERENT DEPENDING ON THE SPECIFICATION NUMBER.

COVER(SOLD SEPARATEIL)MATED



2	PHOSPHOR BRONZE	CONTACT: GOLD PLATING 1.27 μ m MIN LEAD: GOLD PLATING 0.03 μ m MIN UNDER: NICKEL PLATING 2 μ m MIN			
1	PHOSPHOR BRONZE	CONTACT: GOLD PLATING 1.27 μ m MIN LEAD: GOLD PLATING 0.03 μ m MIN UNDER: NICKEL PLATING 2 μ m MIN	5	POLYCARBONATE	(YELLOW)UL94V-2
			4	POLYCARBONATE	(YELLOW)UL94V-2
			3	STAINLESS STEEL	OVER:NICKEL PLATING 0.5 μ m MIN
NO.	MATERIAL	FINISH . REMARKS	NO.	MATERIAL	FINISH . REMARKS
UNITS mm		SCALE 2 : 1	COUNT 1	DESCRIPTION OF REVISIONS DIS-E-00003330	
DESIGNED KIM JAEHYEON			CHECKED TU. TANIGUCHI		
DATE 20210309			DRAWING NO. EDC-126868-00-00		
APPROVED : YH. ENAMI 20090126			PART NO. TM31P-TM-88P		
CHECKED : YH. ENAMI 20090126			CODE NO. CL0222-4626-7-00		
DESIGNED : MT. ITANO 20090126			1/1		
DRAWN : MT. ITANO 20090126					