

963040-3 ✓ ACTIVE

AMP | Junior Power Timer, Junior Timer

TE Internal #: 963040-3

Housing for Female Terminals, Wire-to-Board / Wire-to-Device, 2 Position, 5 mm [.197 in] Centerline, Sealable, Black, Wire & Cable, Power, Hybrid

[View on TE.com >](#)



Connectors > Automotive Connectors > Automotive Housings > Timer Connector Housing



Connector System: **Wire-to-Board, Wire-to-Device**

Number of Positions: **2**

Connector & Housing Type: **Housing for Female Terminals**

Centerline (Pitch): **5 mm [.197 in]**

Sealable: **Yes**

[All Timer Connector Housing \(507\)](#)

Features

Product Type Features

Mixed & Hybrid Connector	No
Connector Shape	Rectangular
Connector System	Wire-to-Board, Wire-to-Device
Connector & Housing Type	Housing for Female Terminals
Sealable	Yes
Connector & Contact Terminates To	Wire & Cable
Primary Locking Feature	On the Terminal

Configuration Features

Number of Positions	2
Number of Rows	1

Electrical Characteristics

Operating Voltage	12 VDC
Nominal Voltage Architecture	12 V

Body Features

Cable Exit Angle	180°
Primary Product Color	Black



Contact Features

Contact Size	1.6mm
Contact Type	Receptacle
Contact Current Rating (Max)	20 A

Mechanical Attachment

Terminal Position Assurance	No
Strain Relief	Without
Mating Alignment Type	Polarization Slot
Mating Alignment	With
Connector Mounting Type	Cable Mount (Free-Hanging)

Housing Features

Housing Material	PBT GF
Centerline (Pitch)	5 mm[.197 in]

Dimensions

Connector Height	35.5 mm[1.398 in]
Product Width	23.6 mm[.929 in]
Product Length	23.4 mm[.921 in]

Usage Conditions

Operating Temperature (Max)	70 °C, 75 °C, 80 °C, 85 °C, 90 °C, 100 °C [158 °F][167 °F][176 °F][185 °F][194 °F][212 °F]
Operating Temperature Range	-40 – 100 °C[-40 – 212 °F]

Operation/Application

Circuit Application	Power
---------------------	-------

Industry Standards

UL Flammability Rating	UL 94HB
------------------------	---------

Packaging Features

Packaging Method	Package
------------------	---------

Other

Serviceable	No
Connector Position Assurance Capable	No



Product Compliance

[For compliance documentation, visit the product page on TE.com>](#)

EU RoHS Directive 2011/65/EU	Compliant
EU ELV Directive 2000/53/EC	Compliant
China RoHS 2 Directive MIIT Order No 32, 2016	No Restricted Materials Above Threshold
EU REACH Regulation (EC) No. 1907/2006	Current ECHA Candidate List: JUNE 2024 (241) Candidate List Declared Against: JUNE 2022 (224) Does not contain REACH SVHC
Halogen Content	Not Low Halogen - contains Br or Cl > 900 ppm.
Solder Process Capability	Not applicable for solder process capability

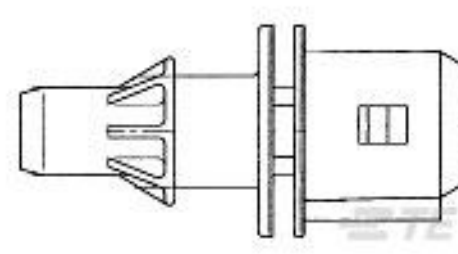
Product Compliance Disclaimer

This information is provided based on reasonable inquiry of our suppliers and represents our current actual knowledge based on the information they provided. This information is subject to change. The part numbers that TE has identified as EU RoHS compliant have a maximum concentration of 0.1% by weight in homogenous materials for lead, hexavalent chromium, mercury, PBB, PBDE, DBP, BBP, DEHP, DIBP, and 0.01% for cadmium, or qualify for an exemption to these limits as defined in the Annexes of Directive 2011/65/EU (RoHS2). Finished electrical and electronic equipment products will be CE marked as required by Directive 2011/65/EU. Components may not be CE marked. Additionally, the part numbers that TE has identified as EU ELV compliant have a maximum concentration of 0.1% by weight in homogenous materials for lead, hexavalent chromium, and mercury, and 0.01% for cadmium, or qualify for an exemption to these limits as defined in the Annexes of Directive 2000/53/EC (ELV). Regarding the REACH Regulation, the information TE provides on SVHC in articles for this part number is based on the latest European Chemicals Agency (ECHA) 'Guidance on requirements for substances in articles' posted at this URL: <https://echa.europa.eu/guidance-documents/guidance-on-reach>

Compatible Parts



TE Part # CAT-T4827-T273
TIMER, RECEPTACLE AND TAB



TE Part # 106462-1
2P.FASTIN-ON HSG.

TE Part # 828884-1
DICHTUNG F 828791

TE Part # 1-927768-1
JPT REC 2.8 Contact SRC Au

Also in the Series | Junior Power Timer



Automotive Connector Caps & Covers (9)



Automotive Connector Locks & Position Assurance (8)



Automotive Housings (318)



Automotive Terminals (189)



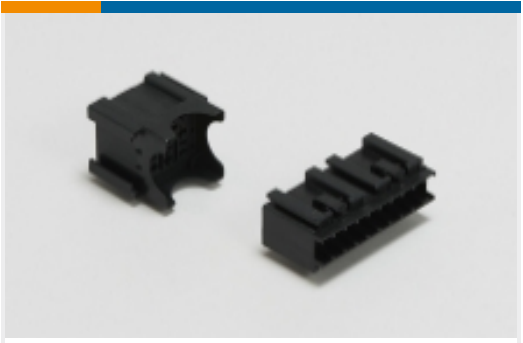
Busbars & Terminals (1)



Connector Seals & Cavity Plugs (9)



Insertion & Extraction Tools (8)



Module Components (1)



Other Automotive Connector Accessories (2)



Special Purpose Terminals (2)

Also in the Series | Junior Timer



Automotive Housings (54)



Automotive Terminals (15)



Busbars & Terminals (1)



Connector Seals & Cavity Plugs (1)

Customers Also Bought



TE Part #880810-1
COVER CAP , 2 WAY



TE Part #2500033-1
SRC Power Blind Cavity Plug



TE Part #2-967626-1
TAB HSG 2.8MM 9POS.



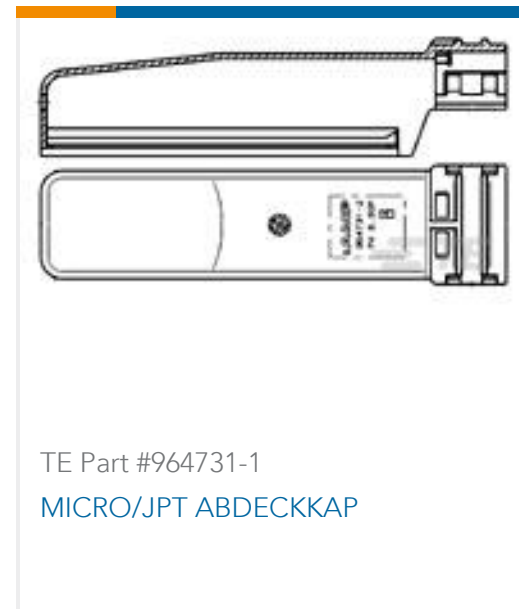
TE Part #929939-1
JPT REC 2.8 Contact SWS Sn



TE Part #900324-4
070 RUBBER PLUG S



TE Part #EK4826-000
91H1-09-04-1-ZN-HE050



TE Part #964731-1
MICRO/JPT ABDECKKAP



TE Part #929940-1
JPT REC 2.8 Contact SWS Sn (LP)



TE Part #CQ11973001
55A0811-10-9CK5050

Documents

Product Drawings

[2P JUN-TIMER GEH](#)

English

CAD Files

Customer View Model

[ENG_CVM_CVM_963040-3_G.2d_dxf.zip](#)

English

3D PDF

3D

Customer View Model

[ENG_CVM_CVM_963040-3_G.3d_igs.zip](#)

English

Customer View Model

[ENG_CVM_CVM_963040-3_G.3d_stp.zip](#)

English

By downloading the CAD file I accept and agree to the [Terms and Conditions](#) of use.