



# SGMOP17D

## 2.8MHz, High Voltage, High Precision, Low Noise Rail-to-Rail Output Operational Amplifier

---

### GENERAL DESCRIPTION

The SGMOP17D is a single, low noise and high precision operational amplifier optimized for high voltage operation from 4.5V to 36V single supply. The device provides rail-to-rail output operation.

The SGMOP17D offers a low offset voltage less than 120 $\mu$ V and a low bias current. The combination of characteristics makes the SGMOP17D a good choice for temperature measurements, pressure and position sensors, strain gauge amplifiers and medical instrumentation, or any other 4.5V to 36V applications requiring precision and long-term stability.

The SGMOP17D is available in a Green SOIC-8 package. It is rated over the -40°C to +125°C temperature range.

### FEATURES

- **Low Offset Voltage: 120 $\mu$ V (MAX)**
- **Open-Loop Voltage Gain: 150dB (TYP)**
- **PSRR: 150dB (TYP)**
- **CMRR: 135dB (TYP)**
- **0.1Hz to 10Hz Noise: 0.4 $\mu$ V<sub>P-P</sub>**
- **Input Voltage Noise Density: 20nV/ $\sqrt{\text{Hz}}$  at 1kHz**
- **Gain-Bandwidth Product: 2.8MHz**
- **Rail-to-Rail Output Swing**
- **Supply Voltage Range: 4.5V to 36V**
- **Low Supply Current: 450 $\mu$ A (TYP)**
- **Overload Recovery Time: 3 $\mu$ s**
- **-40°C to +125°C Operating Temperature Range**
- **Available in a Green SOIC-8 Package**

### APPLICATIONS

Pressure Sensors  
Temperature Measurements  
Precision Current Sensing  
Electronic Scales  
Strain Gauge Amplifiers  
Handheld Test Equipment  
Thermocouple Amplifiers  
Medical Instrumentation

# SGMOP17D

# 2.8MHz, High Voltage, High Precision, Low Noise Rail-to-Rail Output Operational Amplifier

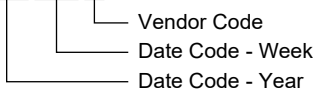
## PACKAGE/ORDERING INFORMATION

MODEL	PACKAGE DESCRIPTION	SPECIFIED TEMPERATURE RANGE	ORDERING NUMBER	PACKAGE MARKING	PACKING OPTION
SGMOP17D	SOIC-8	-40°C to +125°C	SGMOP17DXS8G/TR	SGM OP17DXS8 XXXXX	Tape and Reel, 4000

## MARKING INFORMATION

NOTE: XXXXX = Date Code and Vendor Code.

**XXXXX**



Green (RoHS & HSF): SG Micro Corp defines "Green" to mean Pb-Free (RoHS compatible) and free of halogen substances. If you have additional comments or questions, please contact your SGMICRO representative directly.

## ABSOLUTE MAXIMUM RATINGS

Supply Voltage.....	40V
Input Voltage Range.....	(-V <sub>S</sub> ) - 0.3V to (+V <sub>S</sub> ) + 0.3V
Differential Input Voltage Range.....	-5V to 5V
Junction Temperature.....	+150°C
Storage Temperature Range.....	-65°C to +150°C
Lead Temperature (Soldering, 10s).....	+260°C
ESD Susceptibility	
HBM.....	6000V
MM.....	300V
CDM.....	1000V

## RECOMMENDED OPERATING CONDITIONS

Operating Voltage Range.....	4.5V to 36V
Operating Temperature Range.....	-40°C to +125°C
Differential Input Voltage Range.....	-0.7V to 0.7V

## OVERSTRESS CAUTION

Stresses beyond those listed in Absolute Maximum Ratings may cause permanent damage to the device. Exposure to absolute maximum rating conditions for extended periods may affect reliability. Functional operation of the device at any conditions beyond those indicated in the Recommended Operating Conditions section is not implied.

## ESD SENSITIVITY CAUTION

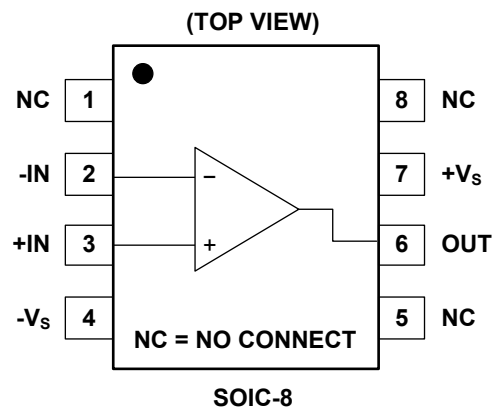
This integrated circuit can be damaged by ESD if you don't pay attention to ESD protection. SGMICRO recommends that all integrated circuits be handled with appropriate precautions.

Failure to observe proper handling and installation procedures can cause damage. ESD damage can range from subtle performance degradation to complete device failure. Precision integrated circuits may be more susceptible to damage because very small parametric changes could cause the device not to meet its published specifications.

## DISCLAIMER

SG Micro Corp reserves the right to make any change in circuit design, or specifications without prior notice.

## PIN CONFIGURATION



# 2.8MHz, High Voltage, High Precision, Low Noise SGMOP17D Rail-to-Rail Output Operational Amplifier

## ELECTRICAL CHARACTERISTICS

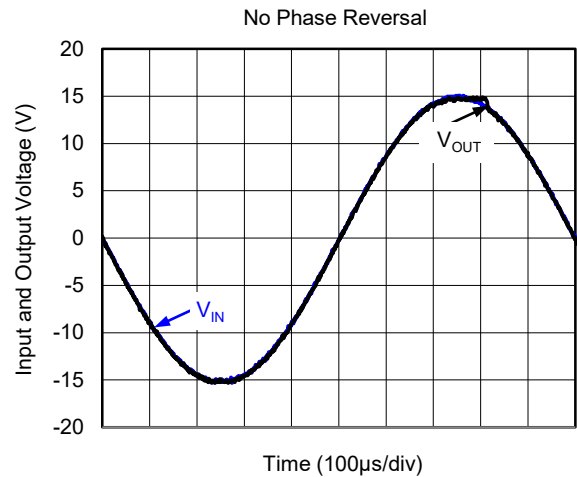
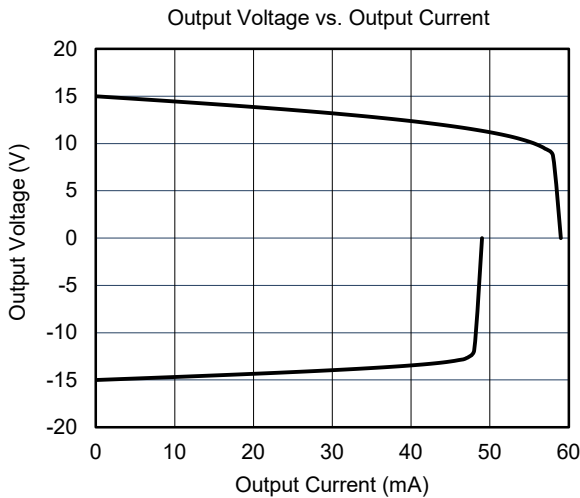
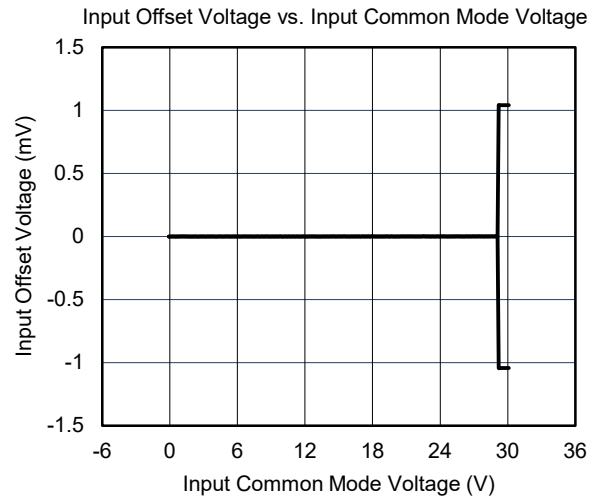
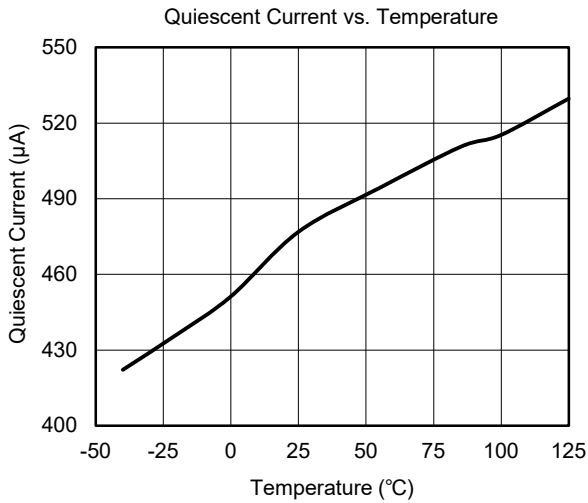
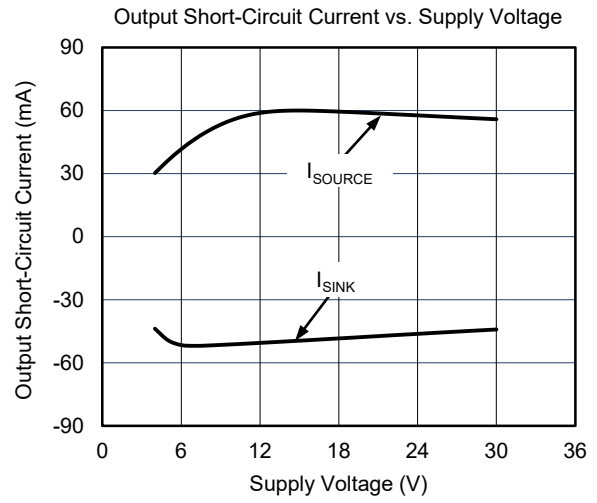
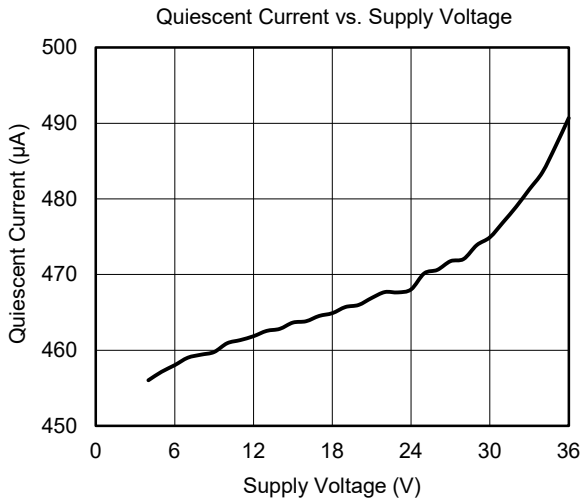
(At  $T_A = +25^\circ\text{C}$ ,  $V_S = \pm 2.5\text{V}$  to  $V_S = \pm 18\text{V}$ ,  $V_{CM} = 0\text{V}$  and  $R_L = 10\text{k}\Omega$  connected to  $0\text{V}$ , Full =  $-40^\circ\text{C}$  to  $+125^\circ\text{C}$ , unless otherwise noted.)

PARAMETER	CONDITIONS	TEMP	MIN	TYP	MAX	UNITS
<b>Input Characteristics</b>						
Input Offset Voltage ( $V_{OS}$ )		$+25^\circ\text{C}$		25	120	$\mu\text{V}$
Input Offset Voltage Drift ( $\Delta V_{OS}/\Delta T$ )		Full		20		$\text{nV}/^\circ\text{C}$
Input Bias Current ( $I_B$ )		$+25^\circ\text{C}$		$\pm 100$	$\pm 400$	$\text{pA}$
Input Offset Current ( $I_{OS}$ )		$+25^\circ\text{C}$		$\pm 200$	$\pm 600$	$\text{pA}$
Input Common Mode Voltage Range ( $V_{CM}$ )		Full	$(-V_S) - 0.05$		$(+V_S) - 1.5$	V
Common Mode Rejection Ratio <sup>(1)</sup> (CMRR)	$V_{CM} = (-V_S) - 0.05\text{V}$ to $(+V_S) - 1.5\text{V}$	$+25^\circ\text{C}$	115	135		dB
		Full	112			
Open-Loop Voltage Gain ( $A_{OL}$ )	$V_S = \pm 2.5\text{V}$ , $V_{OUT} = \pm 2.0\text{V}$	$+25^\circ\text{C}$	118	140		dB
		Full	115			
	$V_S = \pm 18\text{V}$ , $V_{OUT} = \pm 17.5\text{V}$	$+25^\circ\text{C}$	128	150		
		Full	125			
<b>Output Characteristics</b>						
Output Voltage Swing from Rail	$V_S = \pm 2.5\text{V}$	$+25^\circ\text{C}$		12	25	mV
		Full			30	
	$V_S = \pm 18\text{V}$	$+25^\circ\text{C}$		95	140	
		Full			200	
Output Short-Circuit Current ( $I_{SC}$ )	$V_S = \pm 2.5\text{V}$	$+25^\circ\text{C}$	$\pm 20$	$\pm 32$		mA
		Full	$\pm 11$			
	$V_S = \pm 18\text{V}$	$+25^\circ\text{C}$	$\pm 38$	$\pm 50$		
		Full	$\pm 18$			
<b>Power Supply</b>						
Operating Voltage Range ( $V_S$ )		Full	4.5		36	V
Quiescent Current ( $I_Q$ )	$I_{OUT} = 0$	$+25^\circ\text{C}$		450	660	$\mu\text{A}$
		Full			750	
Power Supply Rejection Ratio <sup>(1)</sup> (PSRR)	$V_S = 4.5\text{V}$ to $36\text{V}$	$+25^\circ\text{C}$	128	150		dB
		Full	125			
<b>Dynamic Performance</b>						
Gain-Bandwidth Product (GBP)	$V_{OUT} = 100\text{mV}_{P-P}$ , $C_L = 10\text{pF}$	$+25^\circ\text{C}$		2.8		MHz
Slew Rate (SR)		$+25^\circ\text{C}$		1.3		$\text{V}/\mu\text{s}$
Settling Time to 0.1% ( $t_s$ )	$V_{IN} = 1\text{V}$ Step, $A_V = +1$	$+25^\circ\text{C}$		0.8		$\mu\text{s}$
Overload Recovery Time	$V_{IN} \times A_V > V_S$	$+25^\circ\text{C}$		3		$\mu\text{s}$
Total Harmonic Distortion + Noise (THD+N)	$V_{IN} = 2\text{V}_{P-P}$ , $A_V = +1$ , $f = 1\text{kHz}$	$+25^\circ\text{C}$		0.0002		%
<b>Noise</b>						
Input Voltage Noise	$f = 0.1\text{Hz}$ to $10\text{Hz}$	$+25^\circ\text{C}$		0.4		$\mu\text{V}_{P-P}$
Input Voltage Noise Density ( $e_n$ )	$f = 0.1\text{kHz}$	$+25^\circ\text{C}$		20		$\text{nV}/\sqrt{\text{Hz}}$
	$f = 1\text{kHz}$	$+25^\circ\text{C}$		20		
	$f = 10\text{kHz}$	$+25^\circ\text{C}$		23		

NOTE: 1. PSRR and CMRR are affected by the matching between external gain-setting resistor ratios.

**TYPICAL PERFORMANCE CHARACTERISTICS**

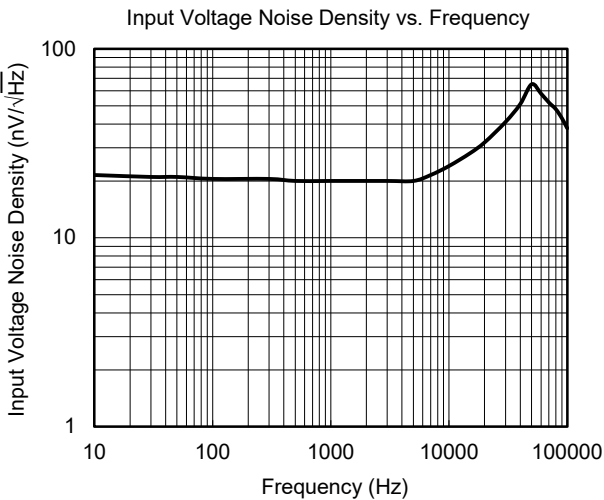
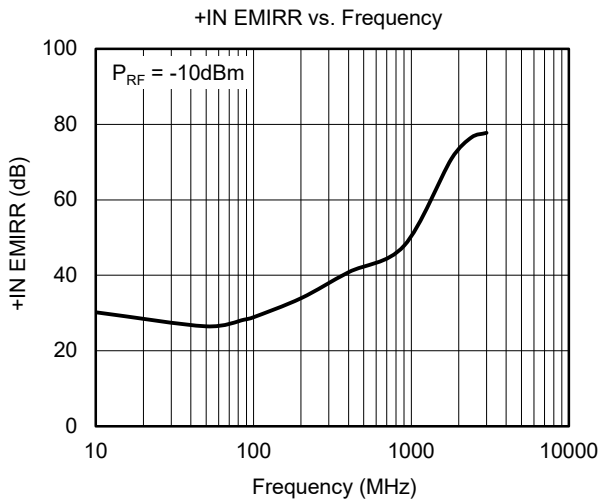
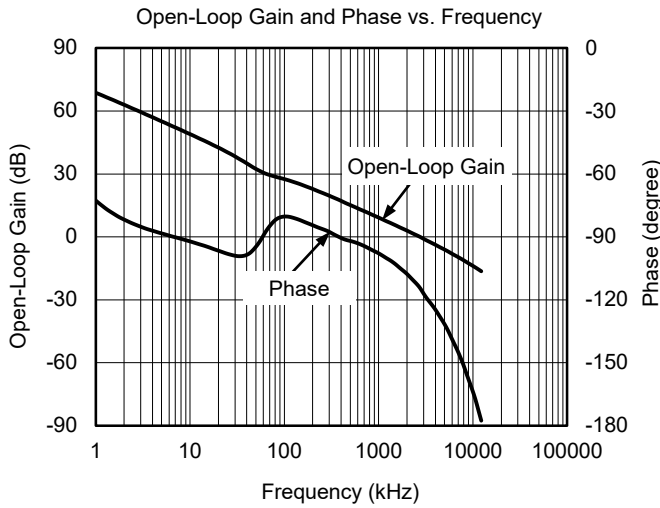
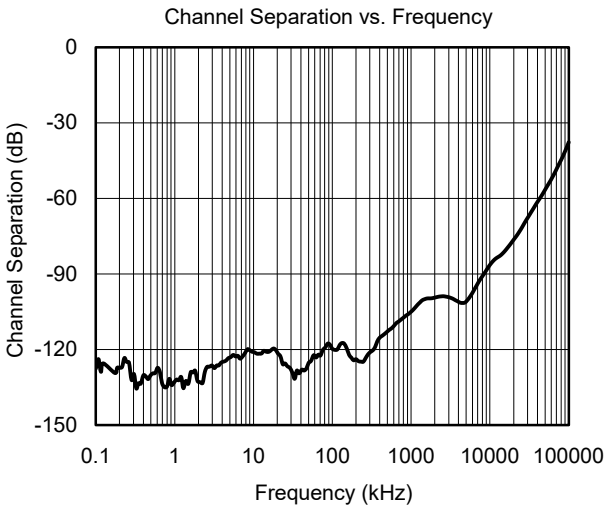
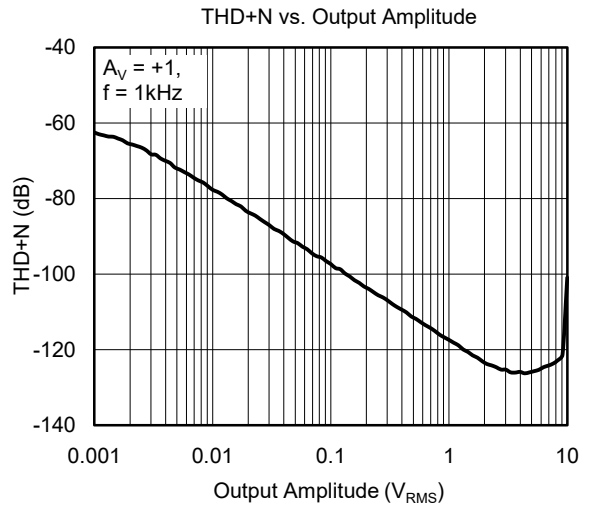
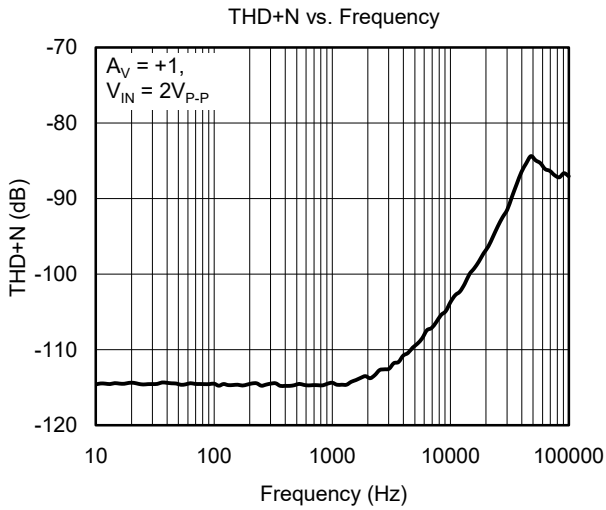
At  $T_A = +25^\circ\text{C}$ ,  $V_S = \pm 15\text{V}$ ,  $C_L = 10\text{pF}$  and  $R_L = 10\text{k}\Omega$ , unless otherwise noted.



# 2.8MHz, High Voltage, High Precision, Low Noise SGMOP17D Rail-to-Rail Output Operational Amplifier

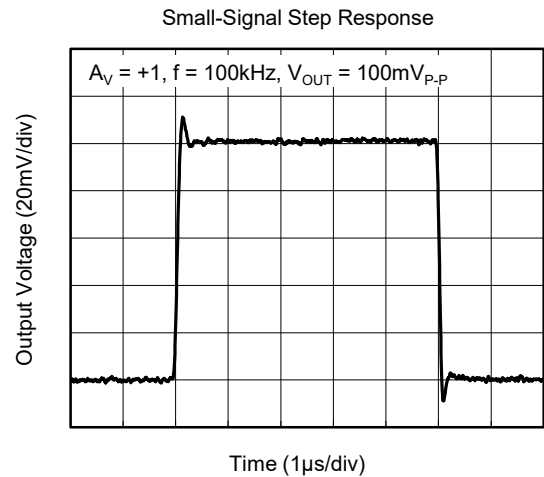
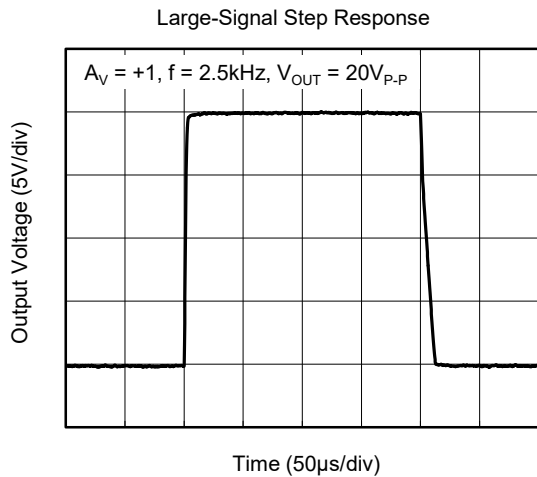
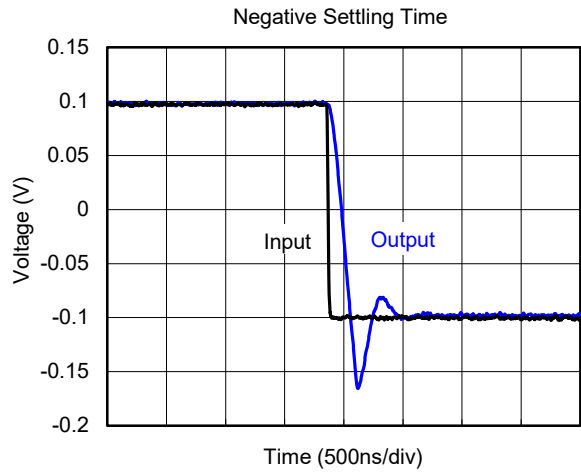
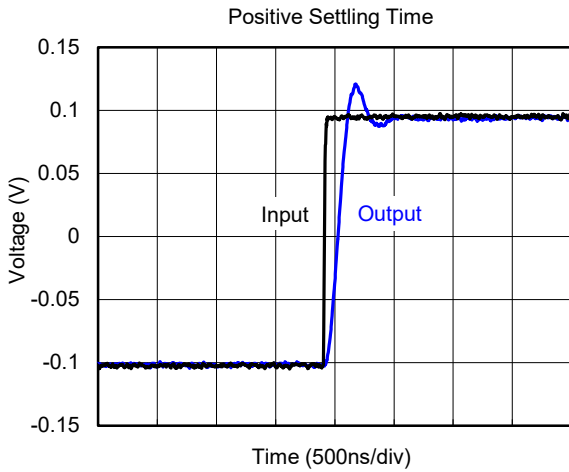
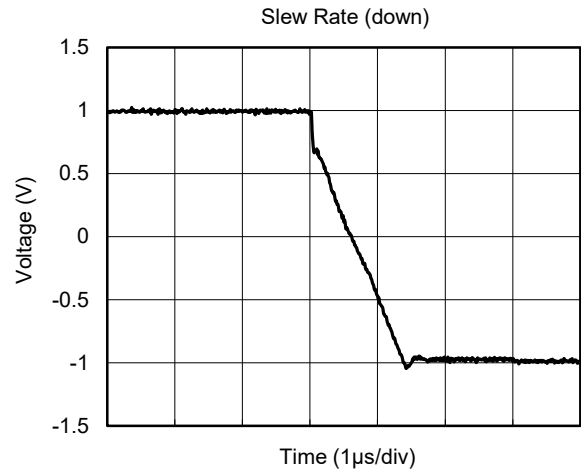
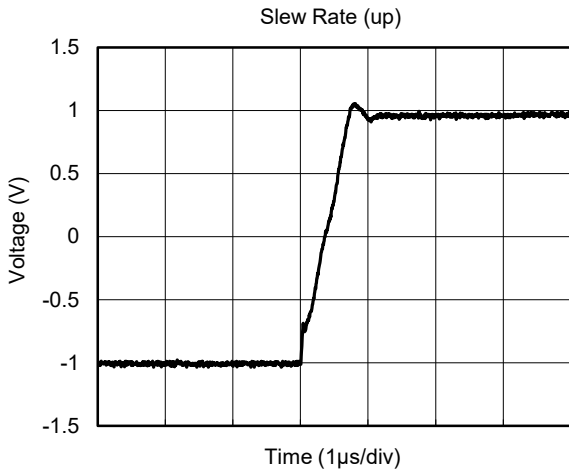
## TYPICAL PERFORMANCE CHARACTERISTICS (continued)

At  $T_A = +25^\circ\text{C}$ ,  $V_S = \pm 15\text{V}$ ,  $C_L = 10\text{pF}$  and  $R_L = 10\text{k}\Omega$ , unless otherwise noted.



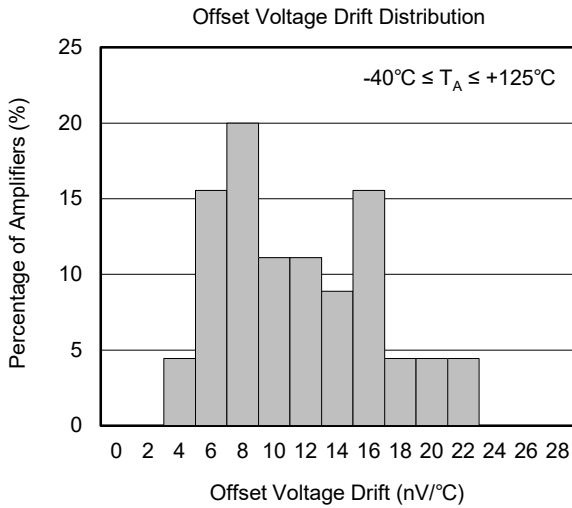
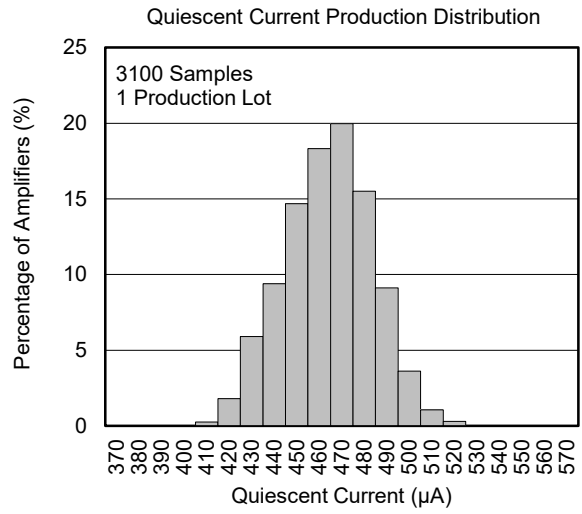
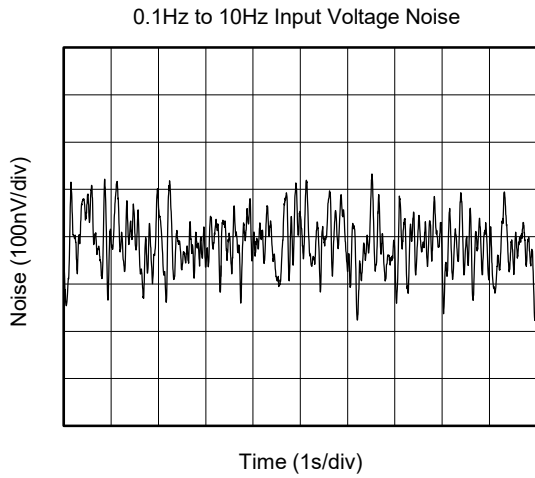
**TYPICAL PERFORMANCE CHARACTERISTICS (continued)**

At  $T_A = +25^\circ\text{C}$ ,  $V_S = \pm 15\text{V}$ ,  $C_L = 10\text{pF}$  and  $R_L = 10\text{k}\Omega$ , unless otherwise noted.



**TYPICAL PERFORMANCE CHARACTERISTICS (continued)**

At  $T_A = +25^\circ\text{C}$ ,  $V_S = \pm 15\text{V}$ ,  $C_L = 10\text{pF}$  and  $R_L = 10\text{k}\Omega$ , unless otherwise noted.



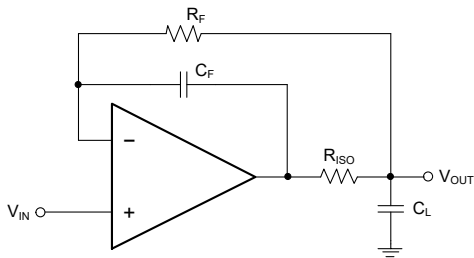
**APPLICATION INFORMATION**

**Rail-to-Rail Output**

The SGMOP17D supports rail-to-rail output operation. In single power supply application, for example, when  $+V_S = 36V$ ,  $-V_S = GND$ ,  $10k\Omega$  load resistor is tied from OUT pin to ground, the typical output swing range is from  $0.095V$  to  $35.905V$ .

**Driving Capacitive Loads**

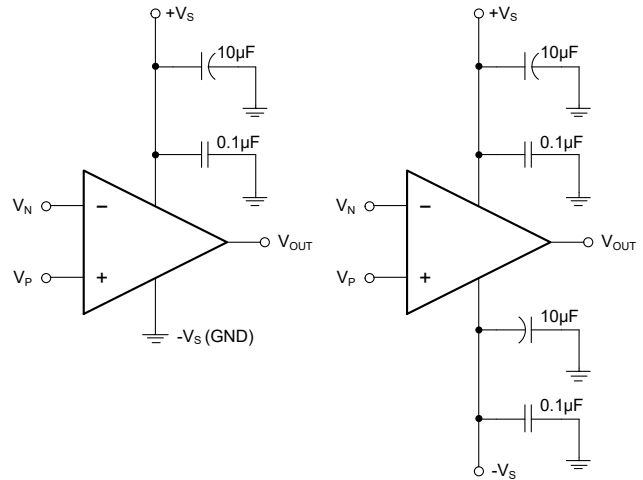
The SGMOP17D is unity-gain stable with heavy capacitive load. If greater capacitive load must be driven in application, the circuit in Figure 1 can be used. In this circuit, the IR drop voltage generated by  $R_{ISO}$  is compensated by feedback loop.



**Figure 1. Circuit to Drive Heavy Capacitive Load**

**Power Supply Decoupling and Layout**

A clean and low noise power supply is very important in amplifier circuit design, besides of input signal noise, the power supply is one of important source of noise to the amplifier through  $+V_S$  and  $-V_S$  pins. Power supply bypassing is an effective method to clear up the noise at power supply, and the low impedance path to ground of decoupling capacitor will bypass the noise to GND. In application,  $10\mu F$  ceramic capacitor paralleled with  $0.1\mu F$  or  $0.01\mu F$  ceramic capacitor is used in Figure 2. The ceramic capacitors should be placed as close as possible to  $+V_S$  and  $-V_S$  power supply pins.



**Figure 2. Amplifier Power Supply Bypassing**

**Grounding**

In low speed application, one node grounding technique is the simplest and most effective method to eliminate the noise generated by grounding. In high speed application, the general method to eliminate noise is to use a complete ground plane technique, and the whole ground plane will help distribute heat and reduce EMI noise pickup.

**Reduce Input-to-Output Coupling**

To reduce the input-to-output coupling, the input traces must be placed as far away from the power supply or output traces as possible. The sensitive trace must not be placed in parallel with the noisy trace in same layer. They must be placed perpendicularly in different layers to reduce the crosstalk. These PCB layout techniques will help to reduce unwanted positive feedback and noise.

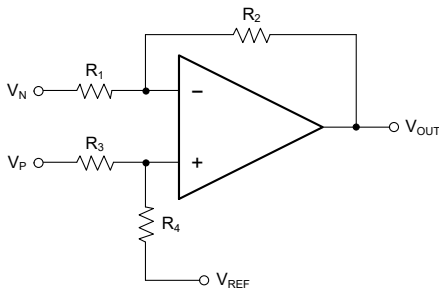


**APPLICATION INFORMATION (continued)**

**Typical Application Circuits**

**Difference Amplifier**

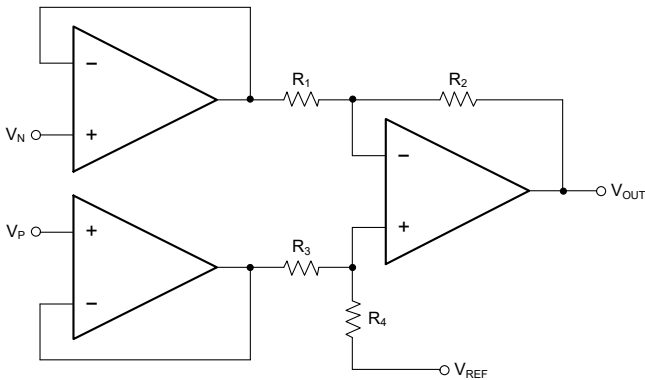
The circuit in Figure 3 is a design example of classical difference amplifier. If  $R_4/R_3 = R_2/R_1$ , then  $V_{OUT} = (V_P - V_N) \times R_2/R_1 + V_{REF}$ .



**Figure 3. Difference Amplifier**

**High Input Impedance Difference Amplifier**

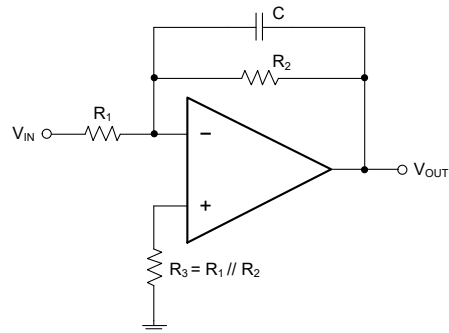
The circuit in Figure 4 is a design example of high input impedance difference amplifier, the added amplifiers at the input are used to increase the input impedance and eliminate drawback of low input impedance in Figure 3.



**Figure 4. High Input Impedance Difference Amplifier**

**Active Low-Pass Filter**

The circuit in Figure 5 is a design example of active low-pass filter, the DC gain is equal to  $-R_2/R_1$  and the -3dB corner frequency is equal to  $1/2\pi R_2 C$ . In this design, the filter bandwidth must be less than the bandwidth of the amplifier, the resistor values must be selected as low as possible to reduce ringing or oscillation generated by the parasitic parameters in PCB layout.



**Figure 5. Active Low-Pass Filter**

**REVISION HISTORY**

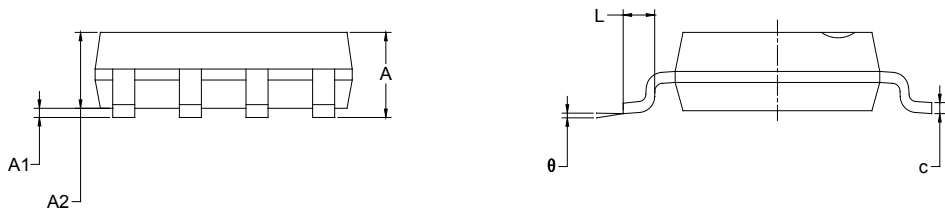
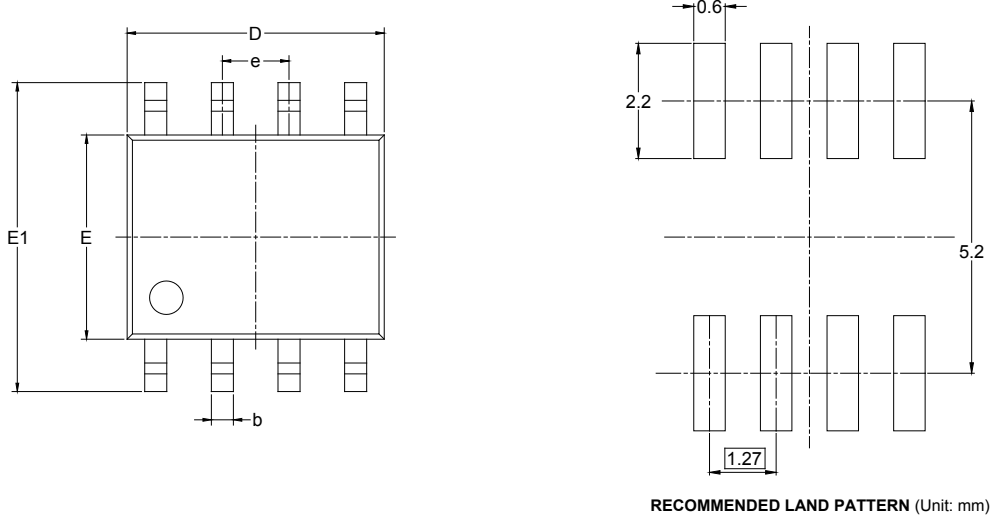
NOTE: Page numbers for previous revisions may differ from page numbers in the current version.

<b>Changes from Original (SEPTEMBER 2019) to REV.A</b>	<b>Page</b>
Changed from product preview to production data.....	All

---

PACKAGE OUTLINE DIMENSIONS

SOIC-8



Symbol	Dimensions In Millimeters		Dimensions In Inches	
	MIN	MAX	MIN	MAX
A	1.350	1.750	0.053	0.069
A1	0.100	0.250	0.004	0.010
A2	1.350	1.550	0.053	0.061
b	0.330	0.510	0.013	0.020
c	0.170	0.250	0.006	0.010
D	4.700	5.100	0.185	0.200
E	3.800	4.000	0.150	0.157
E1	5.800	6.200	0.228	0.244
e	1.27 BSC		0.050 BSC	
L	0.400	1.270	0.016	0.050
θ	0°	8°	0°	8°

# PACKAGE INFORMATION

## TAPE AND REEL INFORMATION

### REEL DIMENSIONS



### TAPE DIMENSIONS



NOTE: The picture is only for reference. Please make the object as the standard.

### KEY PARAMETER LIST OF TAPE AND REEL

Package Type	Reel Diameter	Reel Width W1 (mm)	A0 (mm)	B0 (mm)	K0 (mm)	P0 (mm)	P1 (mm)	P2 (mm)	W (mm)	Pin1 Quadrant
SOIC-8	13"	12.4	6.40	5.40	2.10	4.0	8.0	2.0	12.0	Q1

000001

# PACKAGE INFORMATION

## CARTON BOX DIMENSIONS



NOTE: The picture is only for reference. Please make the object as the standard.

## KEY PARAMETER LIST OF CARTON BOX

Reel Type	Length (mm)	Width (mm)	Height (mm)	Pizza/Carton
13"	386	280	370	5

DD0002