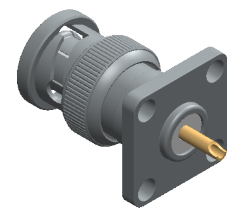
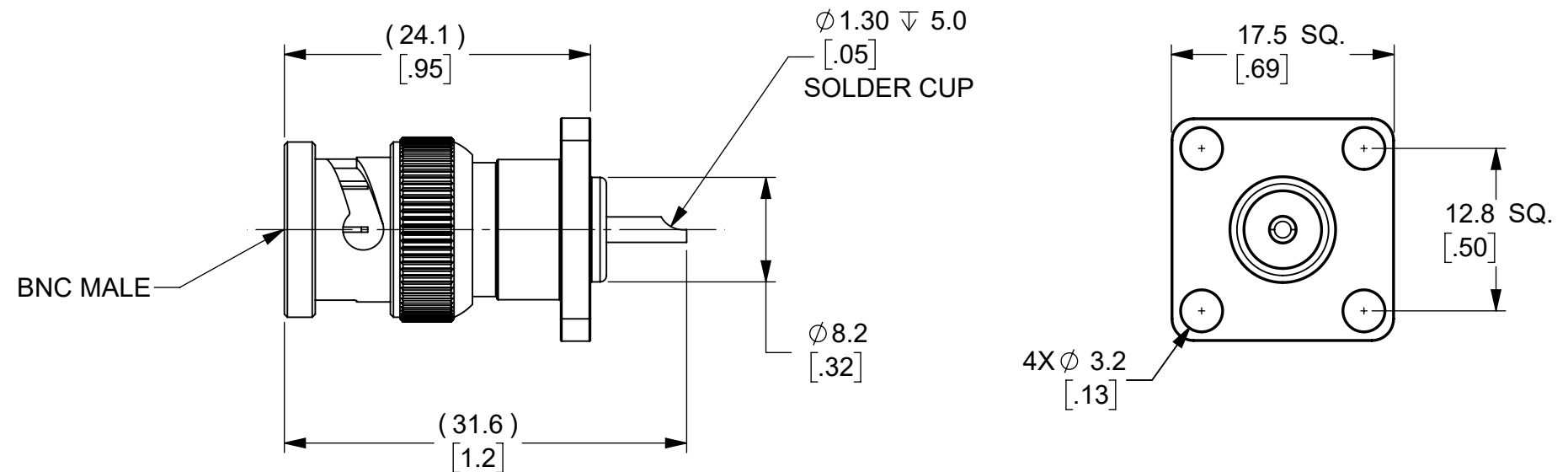


THIS IS ISSUED IN STRICT CONFIDENCE THAT IT IS NOT USED AS A BASIS FOR MANUFACTURE OR SALE AND THAT IT IS NOT COPIED, REPRINTED OR DISCLOSED TO A THIRD PARTY EITHER WHOLLY OR IN PART WITHOUT THE PRIOR WRITTEN CONSENT OF CAL TEST ELECTRONICS, INC.

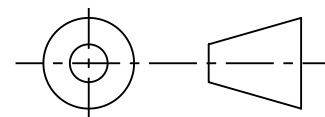
REVISIONS			
REV.	DESCRIPTION	DATE	APPROVED
A	INITIAL RELEASE	11/15/2023	B. Hansen

- NOTES:
- ALL SPECIFICATIONS SUBJECT TO CHANGE WITHOUT NOTICE.
  - ADAPTER TO MEET OR EXCEED ALL SPECIFICATIONS PER MIL-PRF-39012.
  - MATING DIMENSIONS IN ACCORDANCE WITH MIL-STD-348.
  - FREQUENCY RANGE SPECIFICATIONS ARE FOR REFERENCE AND ARE DEPENDENT ON CABLE TYPE AND OTHER APPLICATION SPECIFIC CONDITIONS.
  - MATERIAL:
    - BODY: BRASS, NICKEL PLATED
    - CENTER CONTACT: BRASS, GOLD PLATED
    - DIELECTRIC: PTFE
  - ELECTRICAL:
    - IMPEDANCE: 50Ω
    - FREQUENCY: DC - 2 GHz
    - WORKING VOLTAGE: 500 Vrms
  - MECHANICAL:
    - TEMPERATURE RANGE: -20°C TO +80°C
  - RoHS AND REACH COMPLIANT



ISOMETRIC VIEW  
FULL SCALE

THIRD ANGLE PROJECTION



REFERENCE

CT4509	PANEL MOUNT	IN-SERIES CONNECTOR
MODEL NUMBER	CONFIGURATION	NOTES / REFERENCE

MODEL NUMBER TABLE

UNLESS OTHERWISE SPECIFIED DIMENSIONS ARE IN MILLIMETERS TOLERANCES ARE: X.X = ±0.5 X.X* = ±0.5* X.XX = ±0.25 X.XXX = ±0.125 DO NOT SCALE DRAWING	PROJECT NO.		<b>METRIC</b> <b>Cal Test</b> 22820 Savi Ranch Prky. Yorba Linda, CA 92887 USA
	APPROVALS	DATE	
MATERIAL SEE NOTES	DRAWN GSG	11/2/2023	CONNECTOR, BNC MALE, SURFACE MOUNT w/SOLDER CUP
TREATMENT NONE	CHECKER B. HANSEN	11/2/2023	
FINISH SEE NOTES	ENGR. B. HANSEN	11/2/2023	SIZE <b>B</b>
	DESIGN ACTIVITY		CAGE CODE <b>43F45</b>
			DWG. NO. <b>CT4509</b>
			REV. <b>A</b>
			SCALE 2:1
			SHEET 1 OF 1