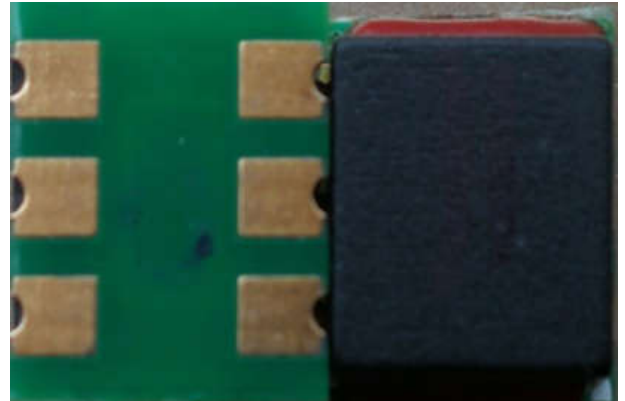
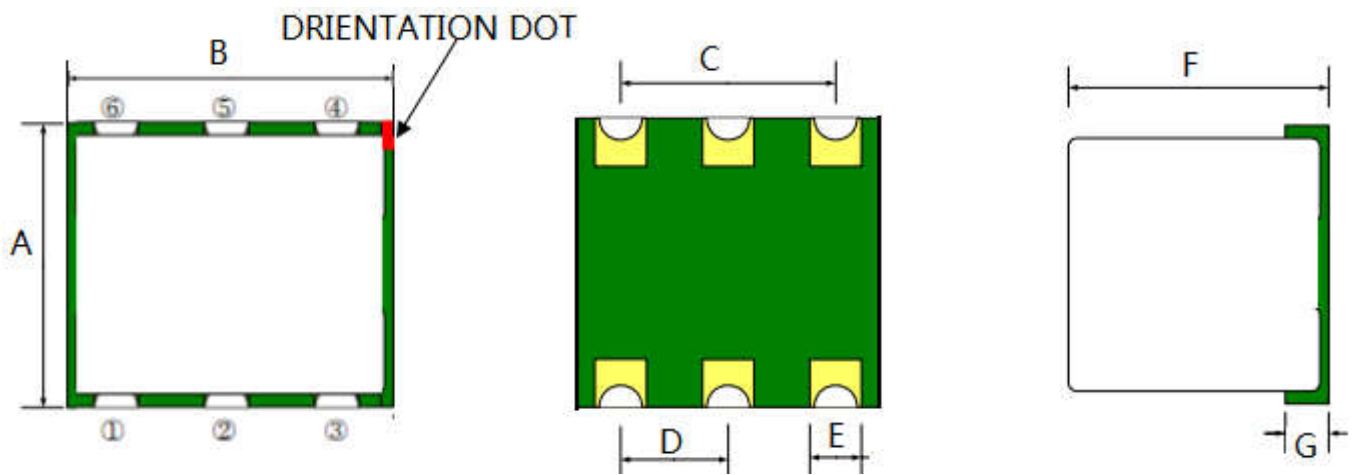


**RF Balun Transformer, 1: 1CT Flux Coupled Transformer**
**Features::**

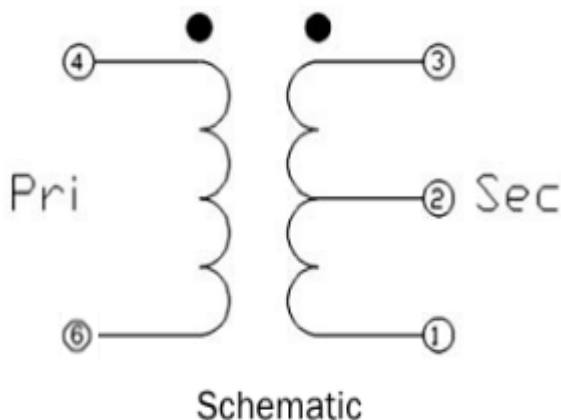
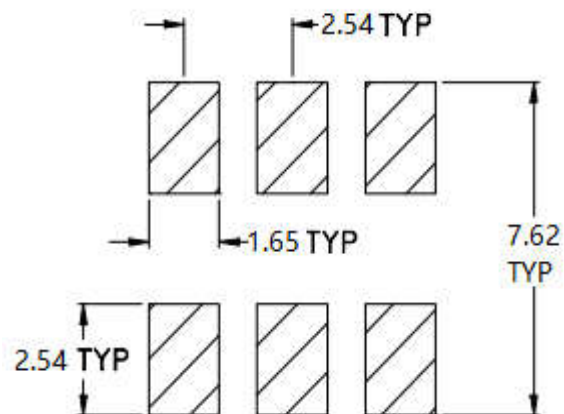
- ◆ 50Ω Impedance
- ◆ Equivalent to: ADT1-6T
- ◆ Frequency: 0.3 to 125 MHz
- ◆ RF power: 0.50W
- ◆ DC current: 30mA
- ◆ Operating temperature range: -20°C to +85°C
- ◆ Storage temperature range: -55°C to +100°C


**Applications:**

- ◆ For impedance matching
- ◆ For balanced amplifier

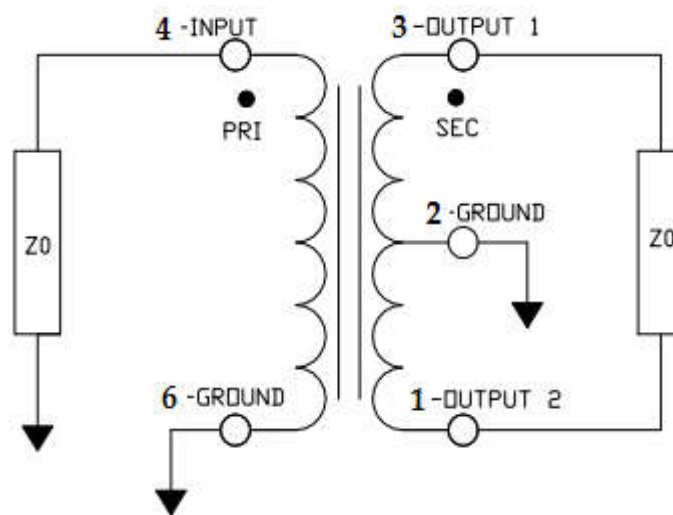
**Dimension Diagram (Unit:mm) :**


A:7.2±0.2    B:9.0±0.2    C:5.1±0.1    D:2.6±0.1    E:1.6±0.1    F:5.5±0.2    G:0.6±0.1

**Electrical structure:**

**Recommended layout:**


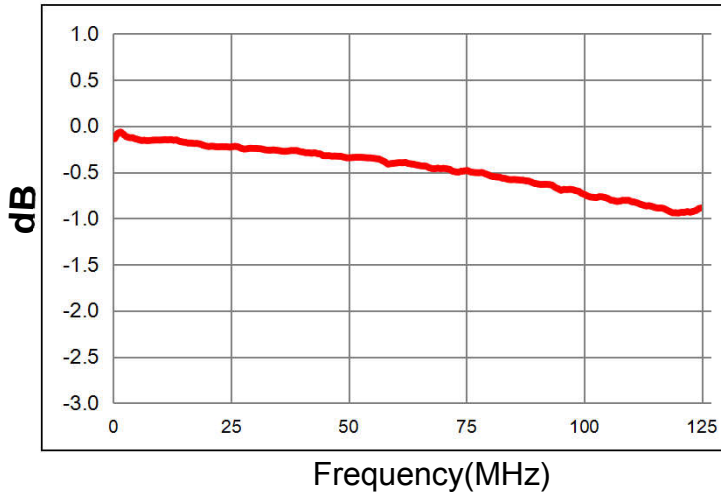
**Pin configuration**

Pin no.	Function
1	Secondary (Output 2)
2	Centre tap (Ground)
3	Secondary dot (Output 1)
4	Primary dot (Input)
6	Primary (Ground)

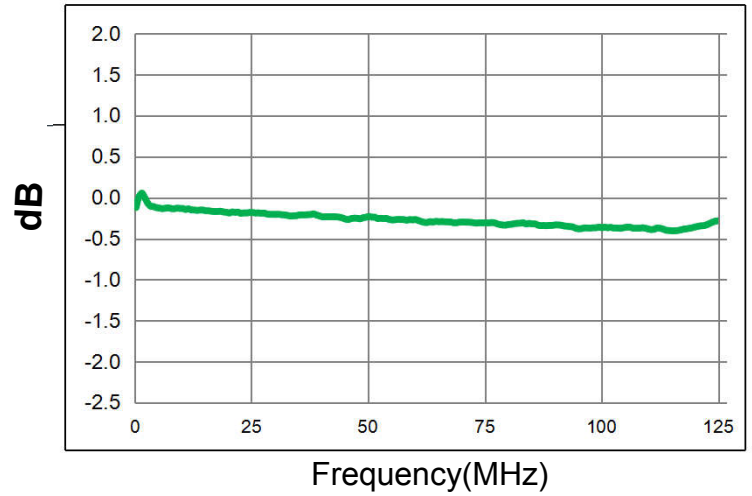
**Application circuit :**

**Electrical Specifications:  $T_A = 25^\circ\text{C}$   $Z_0 = 50\Omega$ ,**

Parameter	Test Conditions	Units	Min	Typ	Max
Main line Loss(out1)	0.3-125MHz	dB	—	0.6	2.5
Main line Loss(out2)	0.3-125MHz	dB	—	0.3	2.0
Amplitude Balance	0.3-125MHz	dB	—	0.2	$\pm 0.5$
Phase Balance	0.3-125MHz	Degrees	—	5.0	$\pm 10.0$
Input Return Loss	0.3-125MHz	dB	6.0	25.0	—

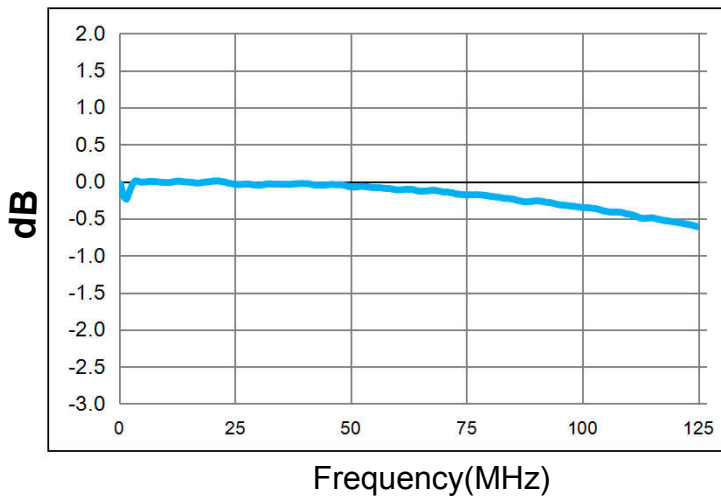
Main line Loss(out1)



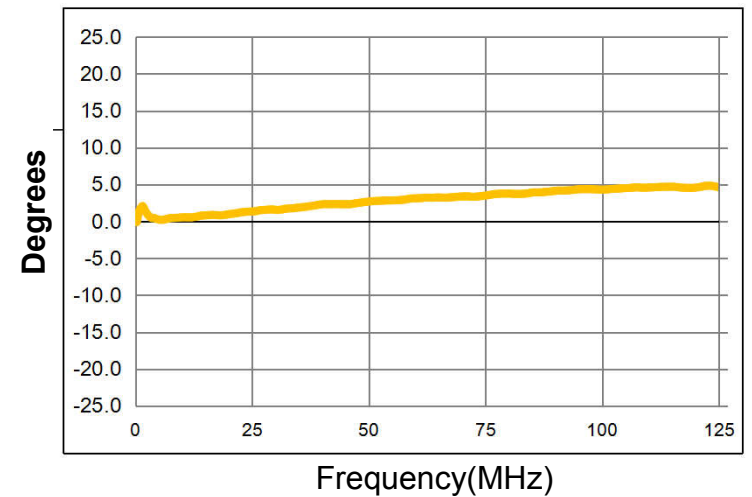
Main line Loss(out2)



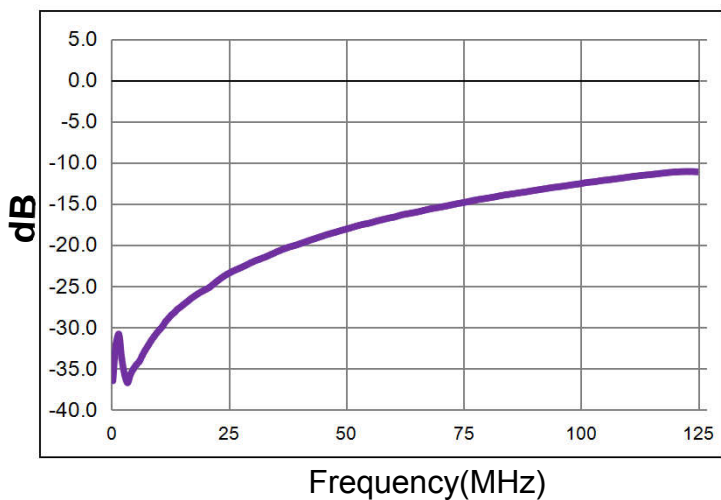
Amplitude Balance

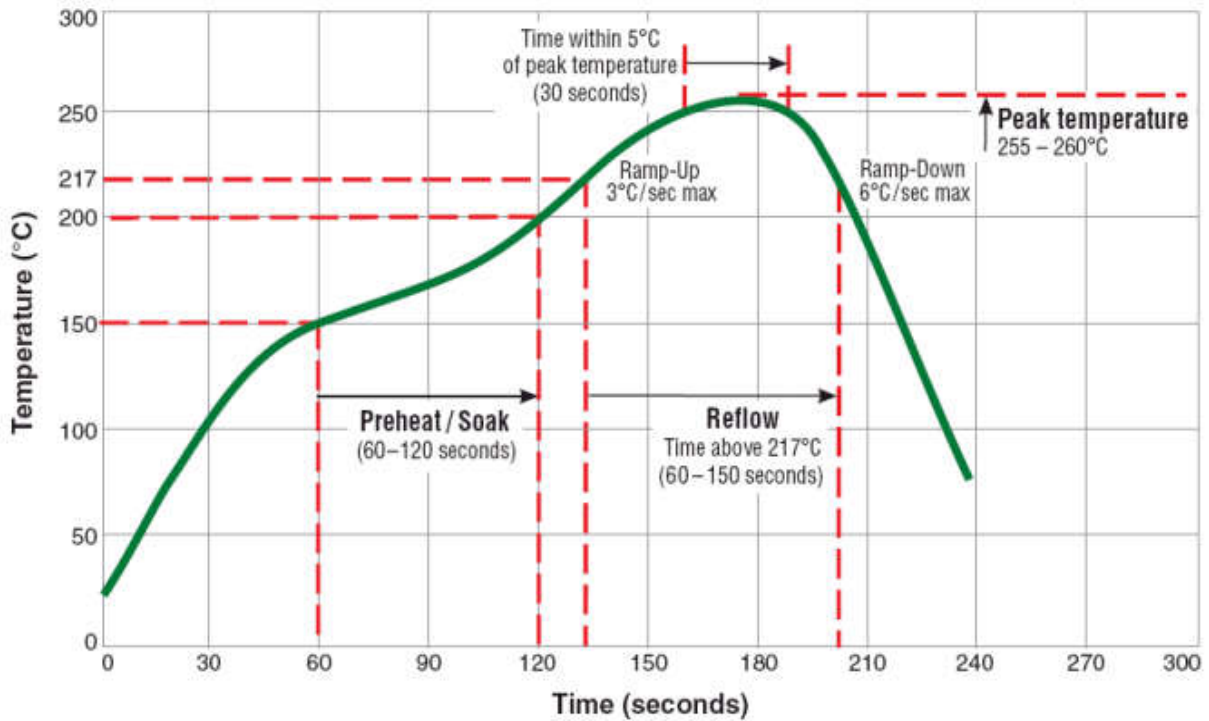
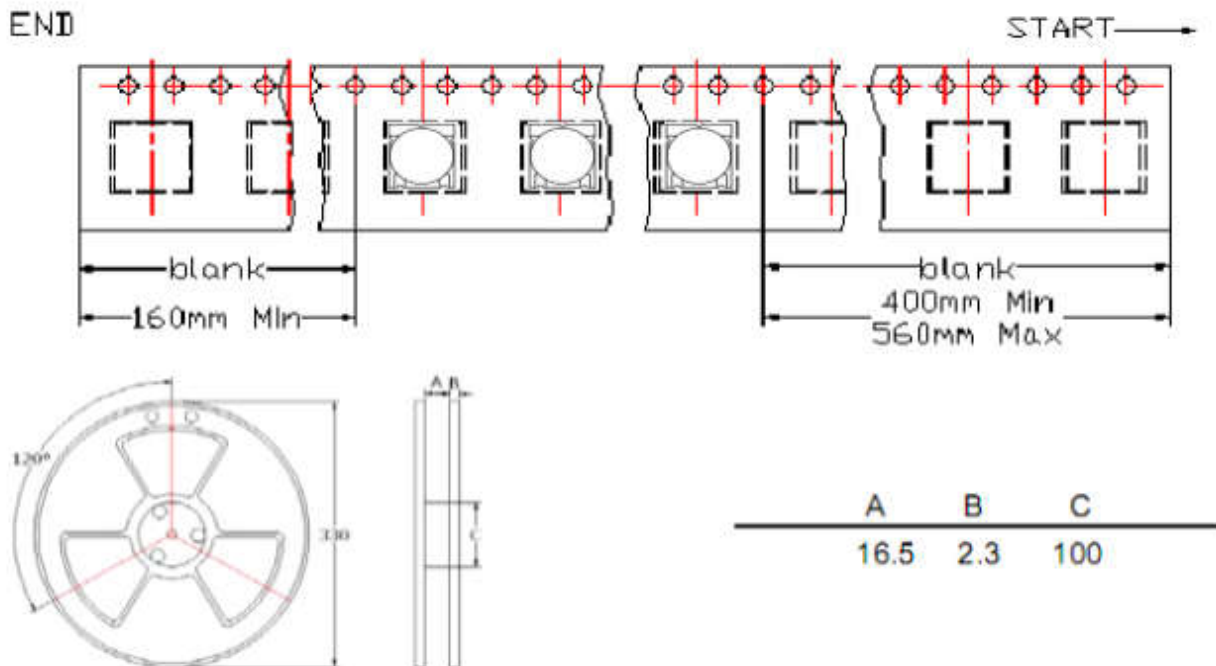


Phase Balance



Input Return Loss



**Recommended Soldering Temperature Graph:**
**Typical RoHS Reflow Profile**

**Packing Dimension For Caeier Tape(UNIT:mm):**

**QUANTITY**

1000 PCS/Reel

3Reels/Middle Carton

5 Middle Cartons/Big Carton/12000pcs