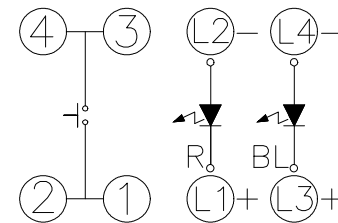
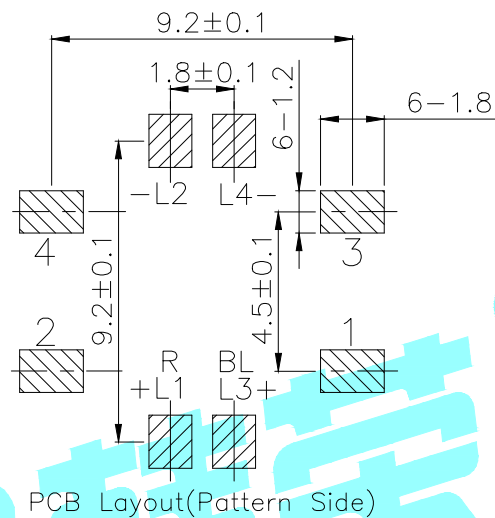
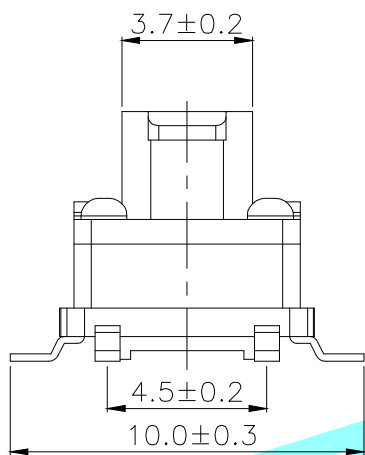
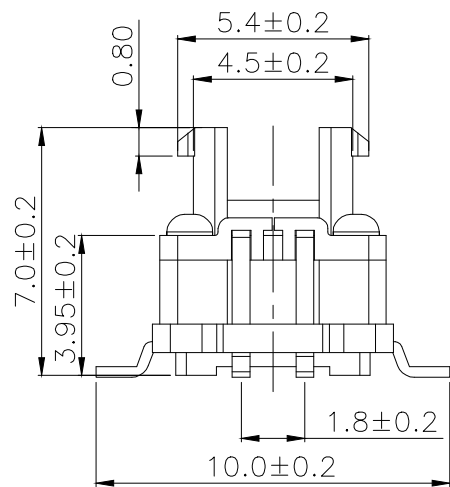
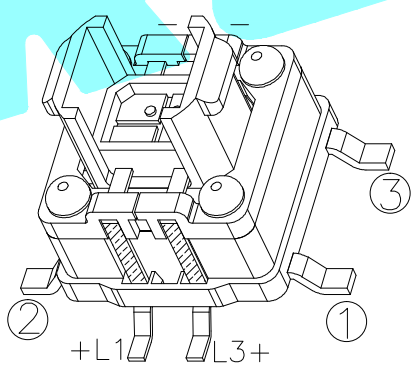
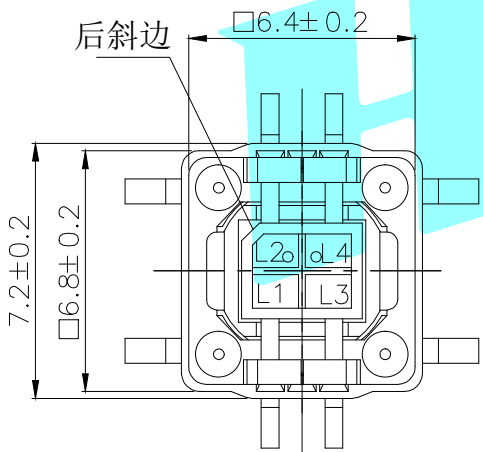


ROHS



Circuit Diagram



LED colour(LED颜色)	Part No. 料号
Red(红色)/Blue(蓝色)	K6-6151S01
Red(红色)/Green(绿色)	K6-6151S02

Rated Values: 30V DC 30mA;
 Contact Resistance: ≤ 0.05Ω;
 Dielectric Strength: 250V AC;
 Insulation Resistance: ≥ 100MΩ;
 Operating Force: 260±50gf;
 Life: 100,000 cycles;

②	Terminal	—	Phosphor bronze	Ag Plating	—			
①	Housing	—	PPA	Black	—			
ITEM	PART NAME	TER'NO.	QTY.	MATERIAL	FINISHING	REMARK		
APPROVALS		DATE		 ELECTRONICS CO.,LTD				
DRAWN	LIUCAN	2021.3.29					TITLE:	LED Tact Switch
APPROVALS							PART NO.	K6-6151S
TOLERANCES ARE		30~以上	±0.30	ANGLE	UNIT: mm	SCALE: 1:1		
		10~30	±0.20					
		5~10	±0.15					
		~ 5	±0.10					
		±2'				PROJ:		
ECN NO.	REV.	DATE.	DESCRIPTION.	CHANGE.	CHECK.	APPRO.	DRAWING NO.	SHEET 1 OF 1

—	A	—	NEW	—	—	—
ECN NO.	REV.	DATE.	DESCRIPTION.	CHANGE.	CHECK.	APPRO.