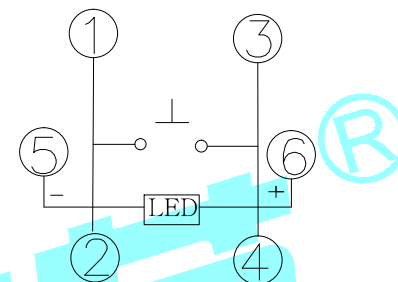
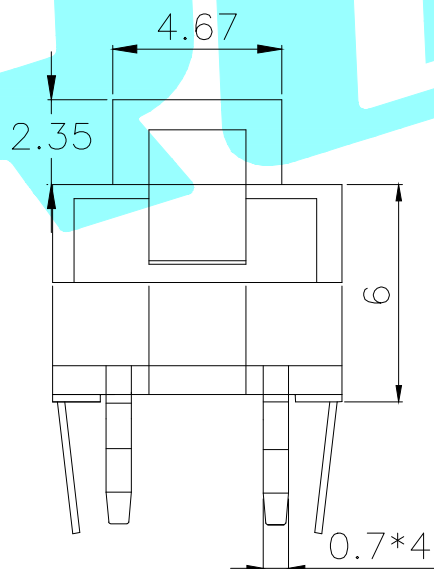
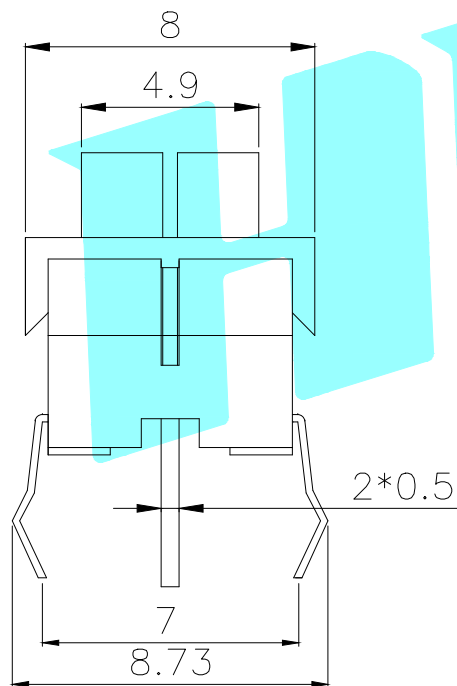
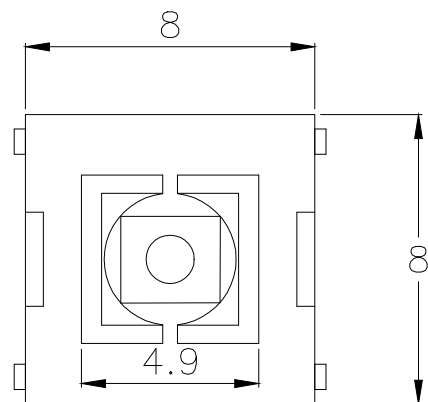
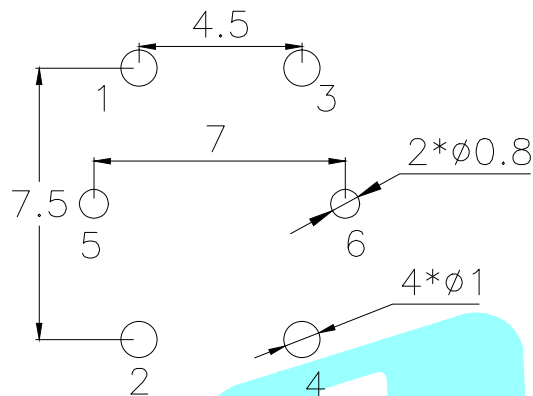


Circuit Diagram



PCB Layout(Pattern Side)



LED colour(LED颜色)	Part No. (料号)
Whiler(白色)	K6-8859D01
Red(红色)	K6-8859D02
Blue(蓝色)	K6-8859D03
Green(绿色)	K6-8859D04

Typical Specifications

- 1.Rating : DC 12V 50mA
- 2.Operating Force : 250 ± 50 gf
- 3.Contact Resistance : 100mΩMAX
- 4.Life : 100,000 Cycles Min

ITEM	PART NAME	TER'NO.	QTY.	MATERIAL	FINISHING	REMARK
⑦	LED		1		Transparent	——
⑥	Keystoke		1	PA66	White	——
⑤	Spring		1	Keystoke	Ag	——
④	Base		1	PA66	Black	——
③	Cover		1	PA66	Black	——
②	Terminal	——	6	Phosphor bronze	Ag Plating	——
①	Housing	——	1	Nylon	Black	——

APPROVALS		DATE	HRO 翰卓® ELECTRONICS CO.,LTD			
DRAWN	D.J.LV	2017/12/26	TITLE:	LED Tact Switch		
CHECKED			PART NO.	K6-8859D-□□		
APPROVALS			UNIT: mm	SCALE: 1:1	PROJ:	
TOLERANCES ARE	30~以上: ±0.30	10~30: ±0.20	ANGLE	DRAWING NO.	SHEET 1 OF 1	
	5~10: ±0.15	~ 5: ±0.10	±2'			

ECN NO.	REV.	DATE.	DESCRIPTION.	CHANGE.	CHECK.	APPRO.
——	A	——	NEW	——	——	——