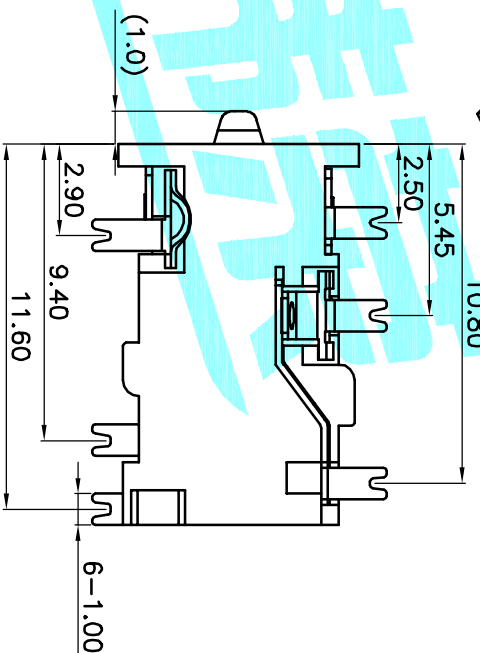
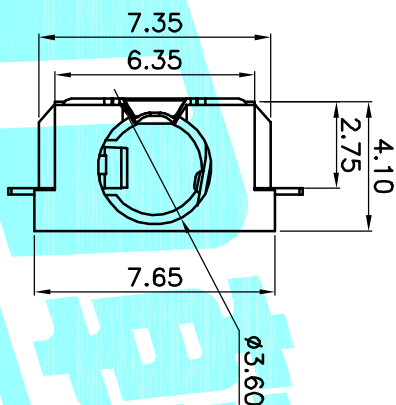
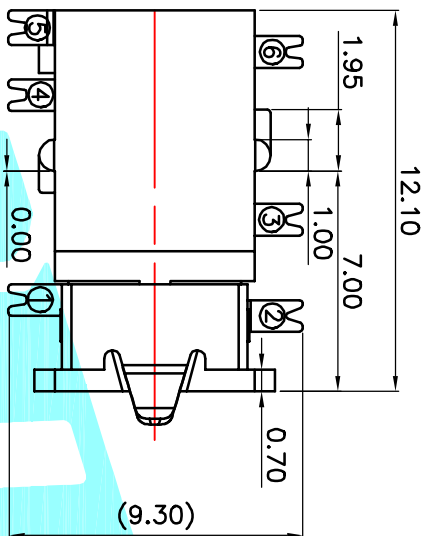
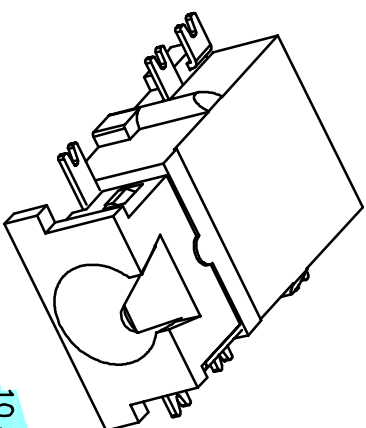
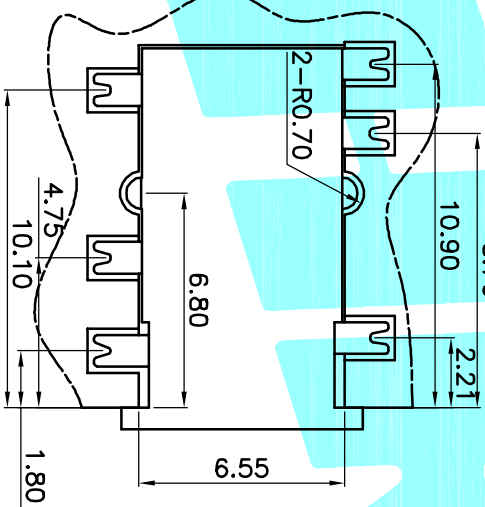


CIRCUIT DIAGRAM



PCB Layout(Pattern side)



Rating:0.5A 30V DC  
 Contact Resistance:100 mΩ Max.  
 Operating temperature:-20℃~70℃  
 Operating force:3-20N  
 Operating Life:5,000cycles

②	Terminal	6	Phosphor bronze	Au Plating		
①	Housing	1	Nylon	Black		
ITEM	PART NAME	TER'NO.	QTY.	MATERIAL	FINISHING	REMARK
APPROVALS		DATE		TITLE: PHONE JACKES		
DRAWN		JKUN,LU		2013/11/11		
CHECKED				PART NO. PJ-399F		
APPROVALS				SCALE: 1:1		
TOLERANCES ARE		30 <sup>+0.15</sup>	±0.30	ANGLE	UNIT: mm	PROJ-
		10 <sup>+0.10</sup>	±0.15	±2°	DRAWING NO.	SHEET 1 OF 1
		5 <sup>+0.10</sup>	±0.10			
ECN NO.	REV.	DATE.	DESCRIPTION.	CHECK.	APPRO.	
	A		NEW			