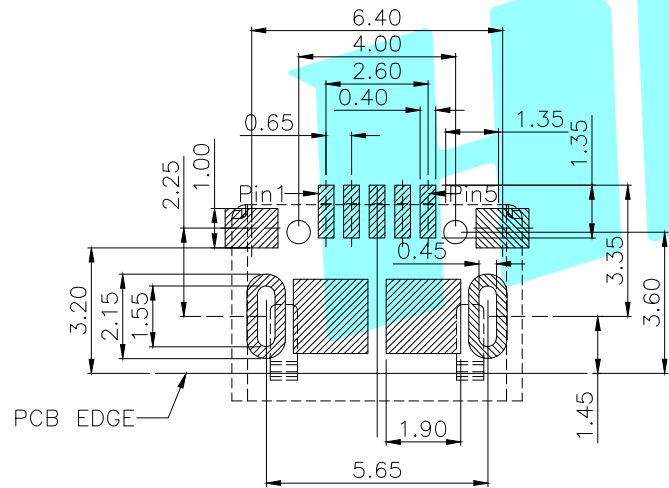
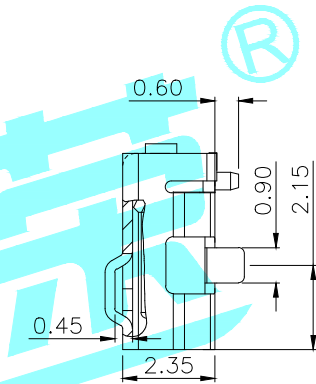
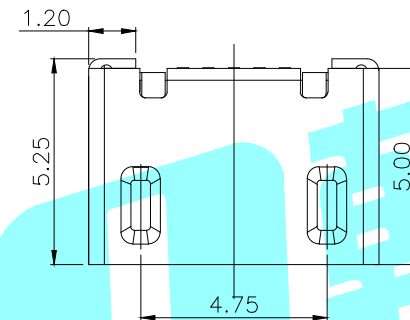
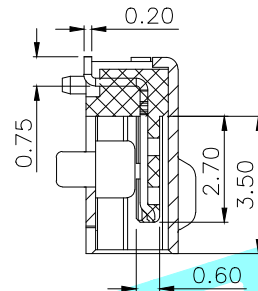
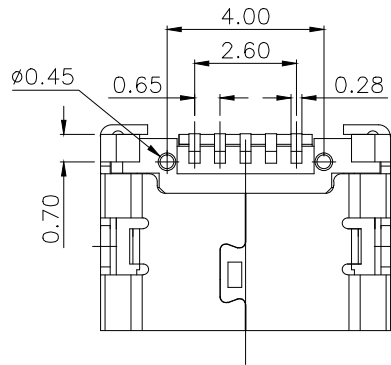
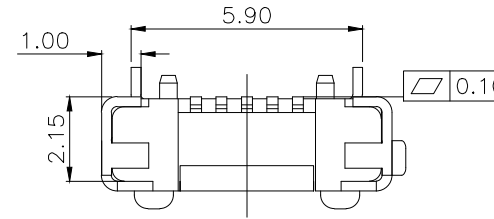
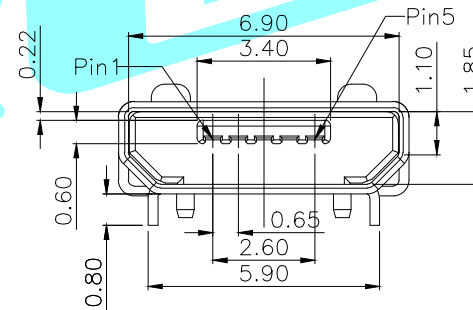


SPECIFICATIONS



- 1.RATING: DC30V 1.0A
- 2.MECHANICAL LIFE: 10,000 CYCLES.
- 3.PACKAGING: 1000PCS/REEL



Recommended PCB Layout



③	Shell	—	1	Phosphor Bronze	Ni Plated	—
②	Contact	—	5	Phosphor Bronze	Au Plated	—
①	Housing	—	1	LCP	Black	—
ITEM	PART NAME	TER'NO.	QTY.	MATERIAL	FINISHING	REMARK

APPROVALS		DATE		 ELECTRONICS CO.,LTD			
DRAWN	JKUN.LU	2014/9/29					
CHECKED		TITLE: USB CONNECTOR					
APPROVALS				PART NO.	U-F-M5DS-W-8		
TOLERANCES ARE		30~以上	±0.30	ANGLE	UNIT: mm	SCALE: 1:1	
		10~30	±0.25				
		5~10	±0.20				
		~ 5	±0.15				
		±2'		DRAWING NO.		PROJ: 	
ECN NO.	REV.	DATE.	DESCRIPTION.	CHANGE.	CHECK.	APPRO.	SHEET 1 OF 1

—	A	—	NEW	—	—	—
ECN NO.	REV.	DATE.	DESCRIPTION.	CHANGE.	CHECK.	APPRO.