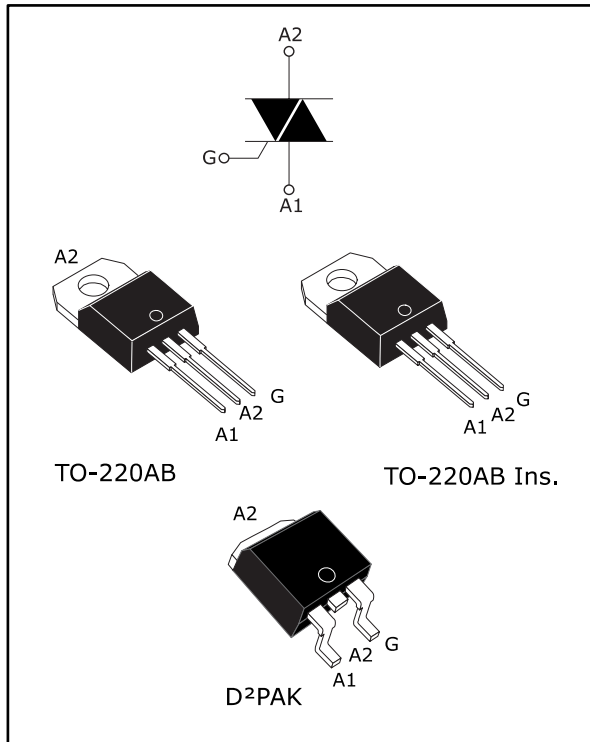


## 10 A Snubberless™, logic level and standard Triacs



### Features

- Medium current triac
- Low thermal resistance with clip bonding
- Low thermal resistance insulation ceramic for insulated BTA
- High commutation (4Q) or very high commutation (3Q, Snubberless™) capability
- BTA series UL1557 certified (file ref: 81734)
- Packages are RoHS (2002/95/EC) compliant

### Description

Available either in through-hole or surface mount packages, the BTA10, BTB10 and T10xx Triac series are suitable for general purpose mains power AC switching. They can be used as ON/OFF function in applications such as static relays, heating regulation or induction motor starting circuit. They are also recommended for phase control operations in light dimmers and appliance motors speed controllers.

The Snubberless™ versions (W suffix and T10xx) are especially recommended for use on inductive loads, because of their high commutation performance. By using an internal ceramic pad, the Snubberless™ series provide an insulated tab (rated at 2500 V<sub>RMS</sub>) complying with UL standards (file reference: E81734).

Table 1: Device summary

Symbol	Parameter	BTA10, BTB10, T10xx
$I_{T(RMS)}$	RMS on-state current	10 A
$V_{DRM}/V_{RRM}$	Repetitive peak off-state voltage	600 and 800 V
$I_{GT}$	Triggering gate current	25 to 50 mA

# 1 Characteristics

**Table 2: Absolute maximum ratings**

Symbol	Parameter		Value	Unit	
$I_{T(RMS)}$	RMS on-state current (full sine wave)	TO-220AB	$T_c = 105\text{ °C}$	10	A
		TO-220AB Ins.	$T_c = 95\text{ °C}$		
$I_{TSM}$	Non repetitive surge peak on-state current (full cycle, $T_j$ initial = $25\text{ °C}$ )	F = 50 Hz	$t_p = 20\text{ ms}$	100	A
		F = 60 Hz	$t_p = 16.7\text{ ms}$	105	
$I^2t$	$I^2t$ value for fusing	$t_p = 10\text{ ms}$		55	$A^2s$
$di/dt$	Critical rate of rise of on-state current $I_G = 2 \times I_{GT}$ , $t_r \leq 100\text{ ns}$	F = 120 Hz	$T_j = 125\text{ °C}$	50	$A/\mu s$
$V_{DSM}/V_{RSM}$	Non repetitive surge peak off-state voltage	$t_p = 10\text{ ms}$	$T_j = 25\text{ °C}$	$V_{DRM}/V_{RRM} + 100$	V
$I_{GM}$	Peak gate current	$t_p = 20\text{ }\mu s$	$T_j = 125\text{ °C}$	4	A
$P_{G(AV)}$	Average gate power dissipation		$T_j = 125\text{ °C}$	1	W
$T_{stg}$	Storage junction temperature range			-40 to +150	$^{\circ}C$
$T_j$	Operating junction temperature range			-40 to +125	$^{\circ}C$

**Table 3: Static electrical characteristics**

Symbol	Test Conditions	$T_j$		Value	Unit
$V_T^{(1)}$	$I_{TM} = 14\text{ A}$ , $t_p = 380\text{ }\mu s$	$25\text{ }^{\circ}C$	Max.	1.55	V
$V_{TO}$	threshold on-state voltage	$125\text{ }^{\circ}C$	Max.	0.85	V
$R_D$	Dynamic resistance	$125\text{ }^{\circ}C$	Max.	40	$m\Omega$
$I_{DRM}/I_{RRM}$	$V_{DRM} = V_{RRM}$	$25\text{ }^{\circ}C$	Max.	5	$\mu A$
		$125\text{ }^{\circ}C$		1	mA

**Notes:**

<sup>(1)</sup>For both polarities of A2 referenced to A1

**Table 4: Electrical characteristics ( $T_j = 25\text{ }^\circ\text{C}$ , unless otherwise specified) - Snubberless™ (3 quadrants)**

Symbol	Parameter	Quadrant		BTA10/BTB10		T1050	Unit
				CW	BW		
$I_{GT}^{(1)}$	$V_D = 12\text{ V}, R_L = 33\ \Omega$	I - II - III	Max.	35	50		mA
$V_{GT}$		I - II - III	Max.	1.3			V
$V_{GD}$	$V_D = V_{DRM}, R_L = 3,3\text{ k}\Omega, T_j = 125\text{ }^\circ\text{C}$	I - II - III	Min.	0.2			V
$I_H^{(2)}$	$I_T = 500\text{ mA}$		Max.	35	50		mA
$I_L$	$I_G = 1.2\ I_{GT}$	I - III	Max.	50	70		mA
		II	Max.	60	80		
$dV/dt^{(2)}$	$V_D = 67\% V_{DRM}$ gate open, $T_j = 125\text{ }^\circ\text{C}$		Min.	500	1000		V/ $\mu\text{s}$
$(dI/dt)_c^{(2)}$	$(dI/dt)_c = 5.3\text{ A/ms}, T_j = 125\text{ }^\circ\text{C}$		Min.	5.5	9		A/ms

**Notes:**

(1) Minimum  $I_{GT}$  is guaranteed at 5 % of  $I_{GT}$  max.

(2) For both polarities of A2 referenced to A1

**Table 5: Electrical characteristics ( $T_j = 25\text{ }^\circ\text{C}$ , unless otherwise specified) - standard Triac (4 quadrants)**

Symbol	Parameter	Quadrant		Value		Unit
				C	B	
$I_{GT}^{(1)}$	$V_D = 12\text{ V}, R_L = 33\ \Omega$	I - II - III	Max.	25	50	mA
		IV	Max.	50	100	
$V_{GT}$		All	Max.	1.3		V
$V_{GD}$	$V_D = V_{DRM}, R_L = 3,3\text{ k}\Omega, T_j = 125\text{ }^\circ\text{C}$	I - II - III	Min.	0.2		V
$I_H^{(2)}$	$I_T = 500\text{ mA}$		Max.	25	50	mA
$I_L$	$I_G = 1.2\ I_{GT}$	I - III	Max.	40	50	mA
		II	Max.	80	100	
$dV/dt^{(2)}$	$V_D = 67\% V_{DRM}$ gate open, $T_j = 125\text{ }^\circ\text{C}$		Min.	200	400	V/ $\mu\text{s}$
$(dV/dt)_c^{(2)}$	$(dI/dt)_c = 4.4\text{ A/ms}, T_j = 125\text{ }^\circ\text{C}$		Min.	5	10	V/ $\mu\text{s}$

**Notes:**

(1) Minimum  $I_{GT}$  is guaranteed at 5 % of  $I_{GT}$  max.

(2) For both polarities of A2 referenced to A1

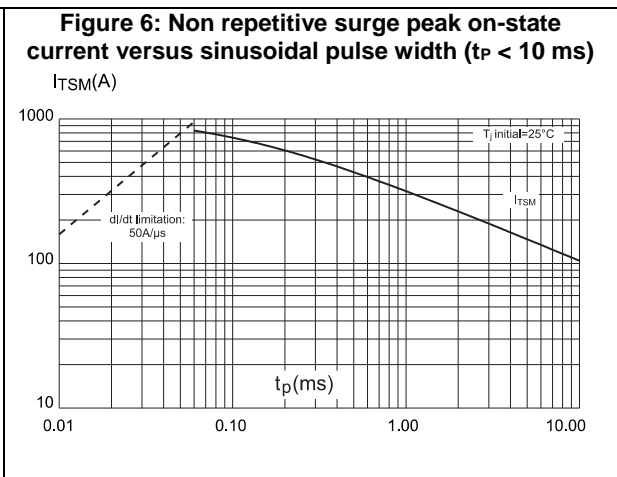
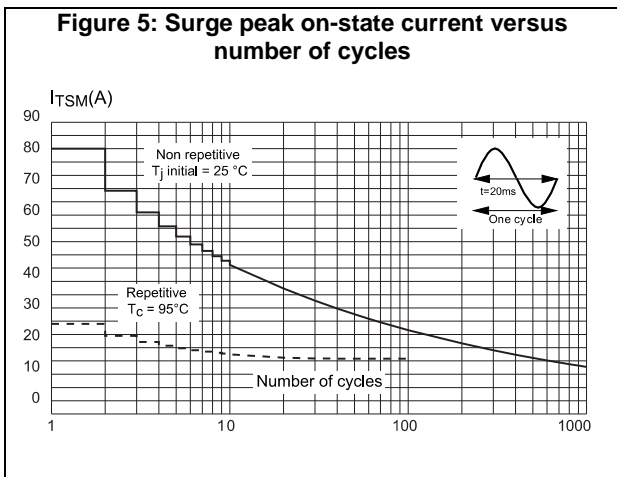
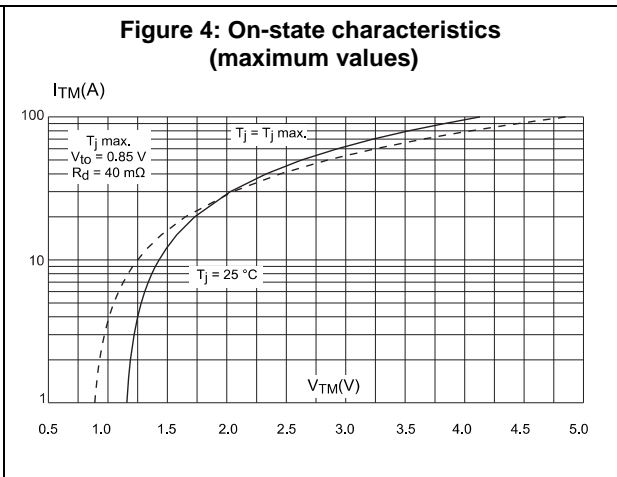
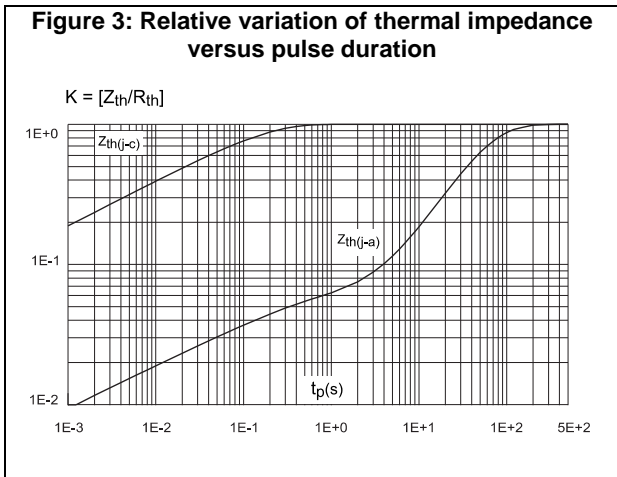
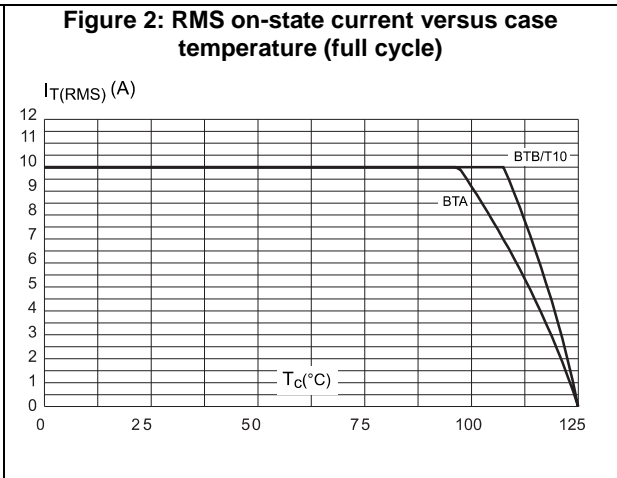
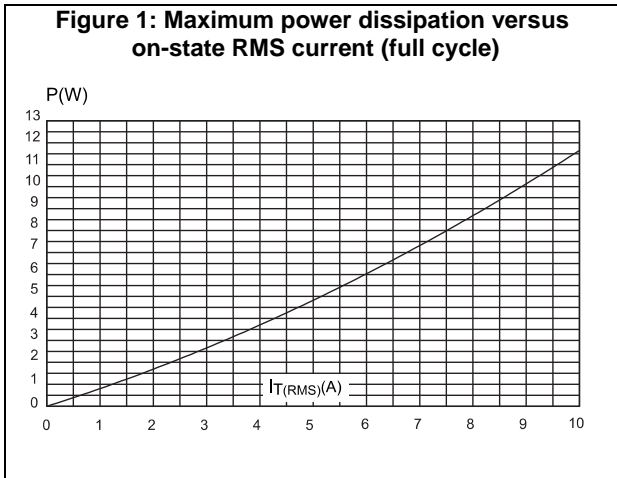
**Table 6: Thermal resistance**

Symbol	Parameter		Value	Unit
$R_{th(j-c)}$ (typ.)	Junction to case (AC)	TO-220AB / D <sup>2</sup> PAK	1.5	°C/W
		TO-220AB insulated	2.4	
$R_{th(j-a)}$ (max.)	Junction to ambient ( $S^{(1)} = 1 \text{ cm}^2$ )	D <sup>2</sup> PAK	45	
	Junction to ambient	TO-220AB / TO-220AB ins	60	

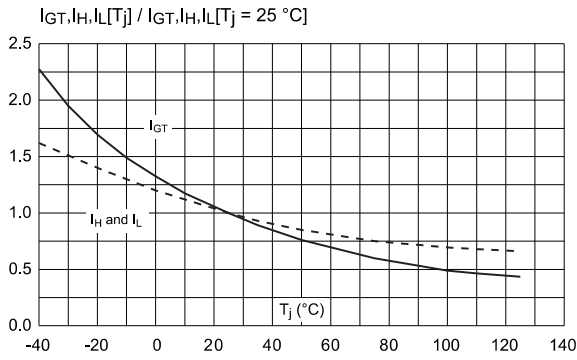
**Notes:**

<sup>(1)</sup>Copper surface under tab.

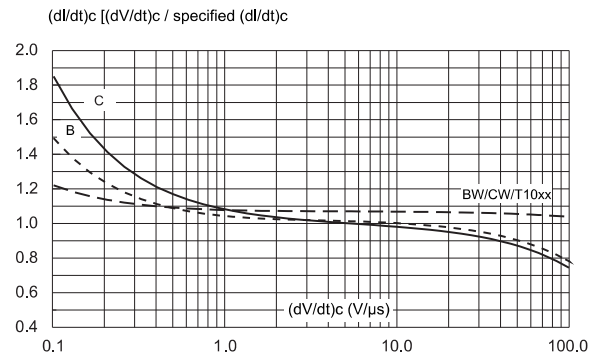
# 1.1 Characteristics (curves)



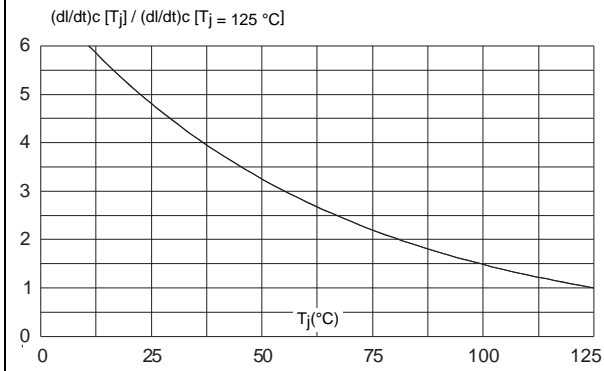
**Figure 7: Relative variation of gate trigger current, holding current and latching current versus junction temperature (typical values)**



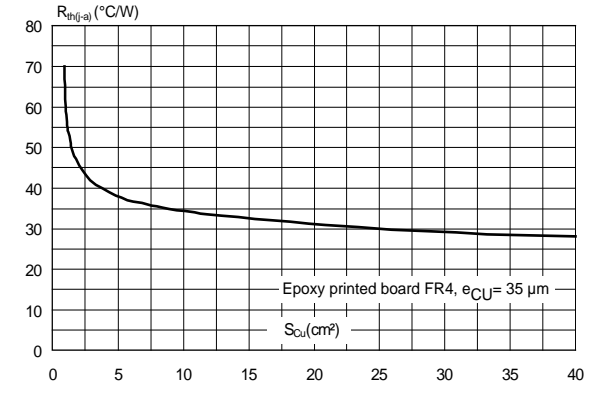
**Figure 8: Relative variation of critical rate of decrease of main current versus  $(dV/dt)_c$  (typical values)**

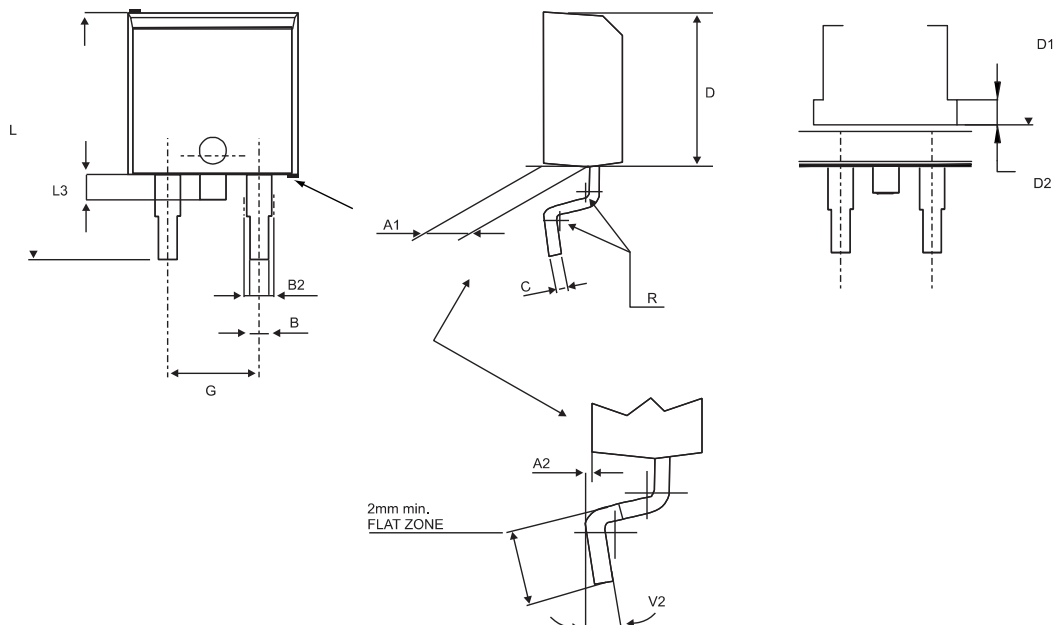


**Figure 9: Relative variation of critical rate of decrease of main current versus junction temperature**



**Figure 10: D2PAK thermal resistance junction to ambient versus copper surface under tab**





(1) Resin gate position accepted in one of the two positions or in the symmetrical opposites.

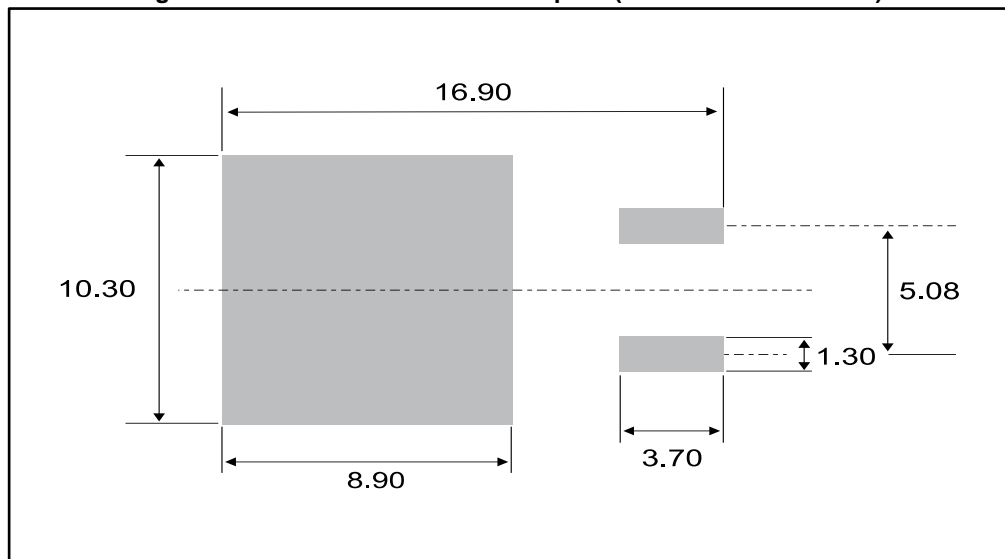
Table 7: D<sup>2</sup>PAK package mechanical data

Ref.	Dimensions					
	Millimeters			Inches <sup>(1)</sup>		
	Min.	Typ.	Max.	Min.	Typ.	Max.
A	4.30		4.60	0.1693		0.1811
A1	2.49		2.69	0.0980		0.1059
A2	0.03		0.23	0.0012		0.0091
B	0.70		0.93	0.0276		0.0366
B2	1.25	1.40		0.0492	0.0551	
C	0.45		0.60	0.0177		0.0236
C2	1.21		1.36	0.0476		0.0535
D	8.95		9.35	0.3524		0.3681
D1	7.50		8.00	0.2953		0.3150
D2	1.30		1.70	0.0512		0.0669
E	10.00		10.28	0.3937		0.4047
E1	8.30		8.70	0.3268		0.3425
E2	6.85		7.25	0.2697		0.2854
G	4.88		5.28	0.1921		0.2079
L	15		15.85	0.5906		0.6240
L2	1.27		1.40	0.0500		0.0551
L3	1.40		1.75	0.0551		0.0689
R		0.40			0.0157	
V2	0°		8°	0°		8°

**Notes:**

<sup>(1)</sup>Dimensions in inches are given for reference only

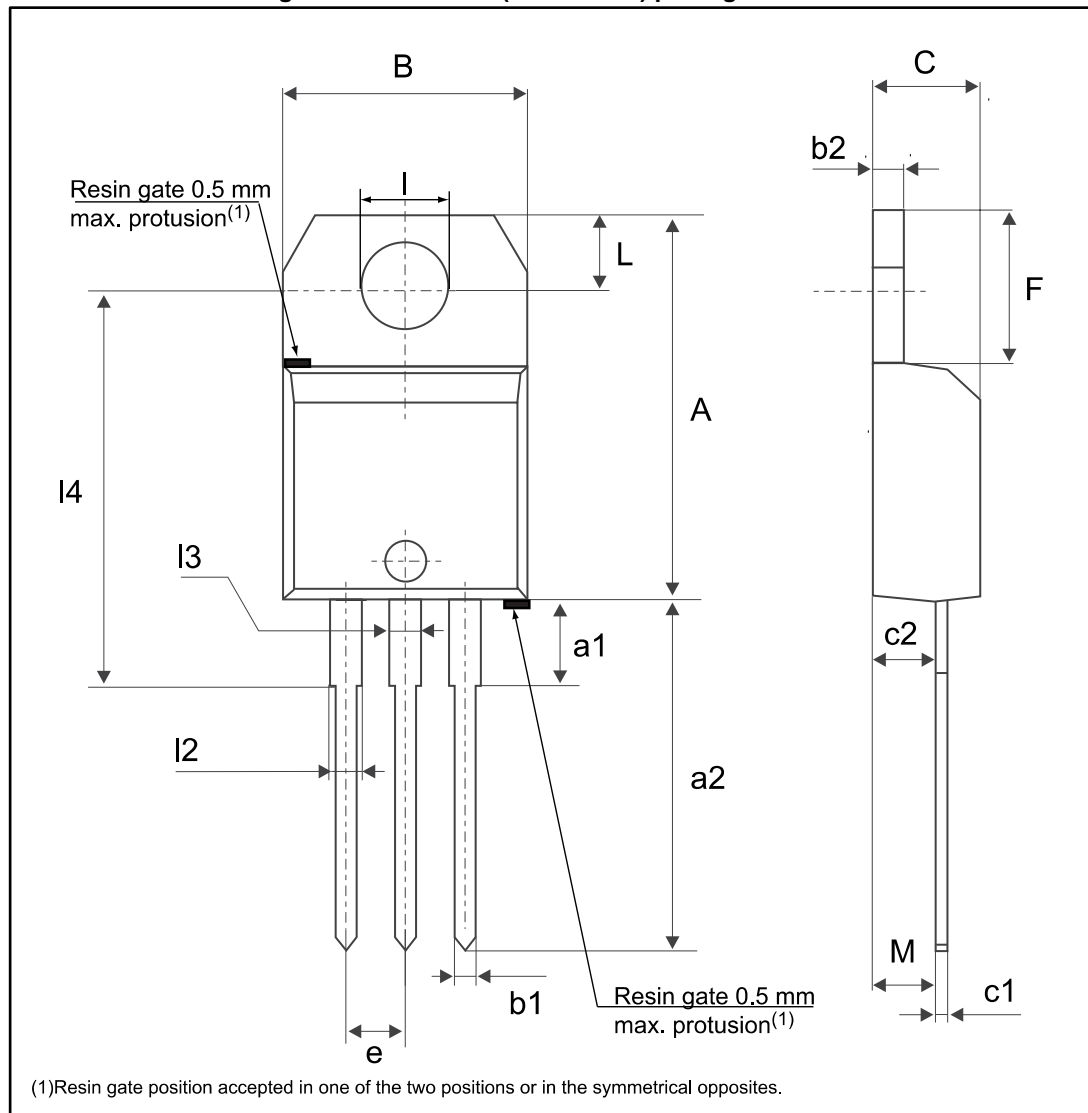
Figure 12: D<sup>2</sup>PAK recommended footprint (dimensions are in mm)





## 2.2 TO-220AB (NIns. and Ins.) package information

Figure 13: TO-220AB (NIns. & Ins.) package outline



**Table 8: TO-220AB (NIns. & Ins.) package mechanical data**

Ref.	Dimensions					
	Millimeters			Inches <sup>(1)</sup>		
	Min.	Typ.	Max.	Min.	Typ.	Max.
A	15.20		15.90	0.5984		0.6260
a1		3.75			0.1476	
a2	13.00		14.00	0.5118		0.5512
B	10.00		10.40	0.3937		0.4094
b1	0.61		0.88	0.0240		0.0346
b2	1.23		1.32	0.0484		0.0520
C	4.40		4.60	0.1732		0.1811
c1	0.49		0.70	0.0193		0.0276
c2	2.40		2.72	0.0945		0.1071
e	2.40		2.70	0.0945		0.1063
F	6.20		6.60	0.2441		0.2598
I	3.73		3.88	0.1469		0.1528
L	2.65		2.95	0.1043		0.1161
I2	1.14		1.70	0.0449		0.0669
I3	1.14		1.70	0.0449		0.0669
I4	15.80	16.40	16.80	0.6220	0.6457	0.6614
M		2.6			0.1024	

**Notes:**

<sup>(1)</sup>Inch dimensions are for reference only.

### 3 Ordering information

Figure 14: BTA10 and BTB10 series ordering information scheme

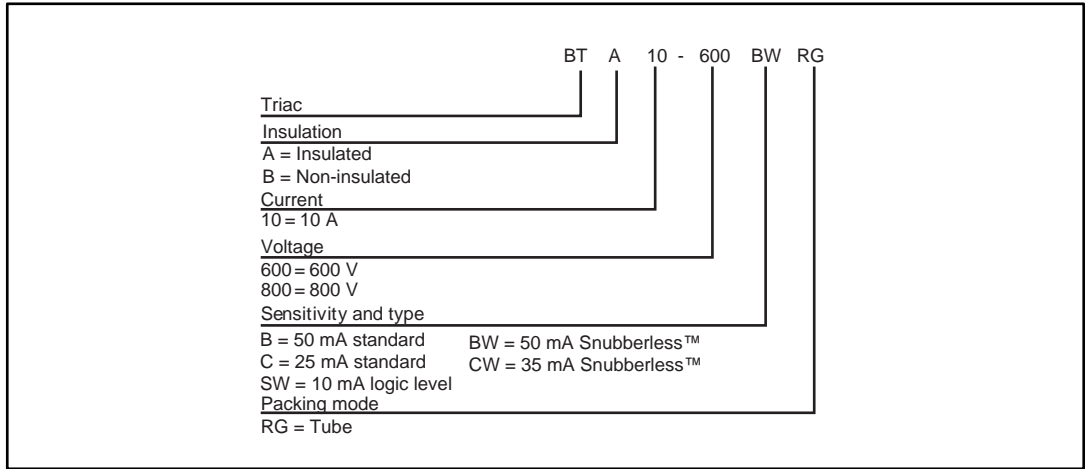
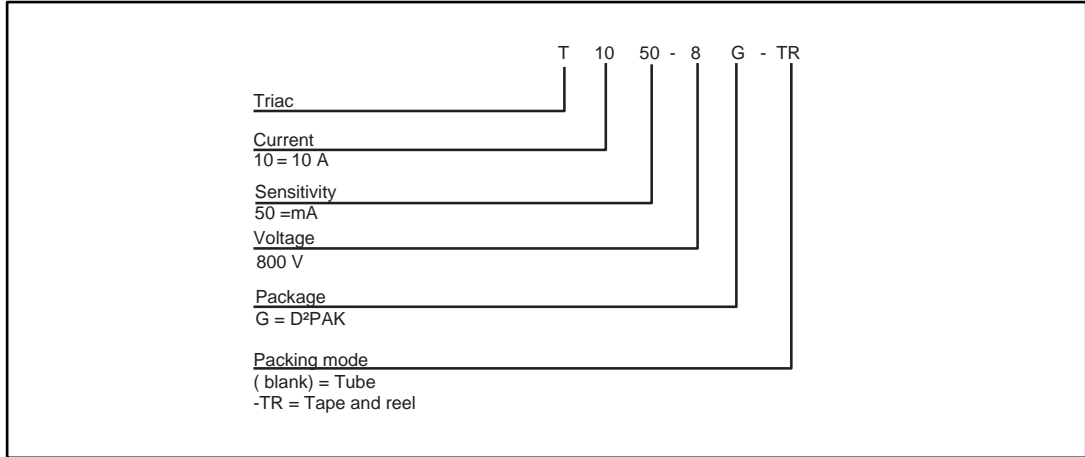


Figure 15: T10xx series ordering information scheme



**Table 9: Ordering information**

Order code	Marking	Package	Weight	Base qty.	Delivery mode
BTA10-600BRG	BTA10-600B	TO-220AB Ins.	2.3 g	50	Tube
BTA10-600CRG	BTA10-600C				
BTA10-600BWRG	BTA10-600BW				
BTA10-600CWRG	BTA10-600CW				
BTA10-800BWRG	BTA10-800BW				
BTA10-800CWRG	BTA10-600CW				
BTB10-600BWRG	BTB10-600BW	TO-220AB			
BTB10-800BWRG	BTB10-800BW				
T1050-8G	T1050-8G	D <sup>2</sup> PAK	1.38 g	1000	Tape and reel 13"Tube
T1050-8G-TR	T1050-8G				