



SOD1F1 THRU SOD1F7

Reverse Voltage - 50 to 1000 Volts Forward Current - 1.0 Ampere

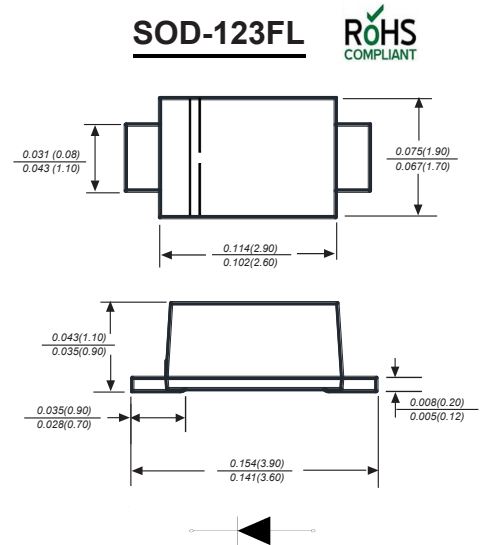
SURFACE MOUNT FAST RECOVERY RECTIFIER

Features

- ◆ Glass passivated device
- ◆ Ideal for surface mounted applications
- ◆ Low reverse leakage
- ◆ Metallurgically bonded construction
- ◆ High temperature soldering guaranteed:
250°C/10 seconds, 0.375" (9.5mm) lead length,
5 lbs. (2.3kg) tension

Mechanical Data

Case : JEDEC UOD-123FL molded plastic body
 Terminals : Solderable per MIL-STD-750, Method 2026A
 Polarity : Polarity symbol marking on body
 Mounting Position : Any
 Weight : 0.0067 ounce, 0.02 grams



Dimensions in inches and (millimeters)

Maximum Ratings And Electrical Characteristics

Ratings at 25°C ambient temperature unless otherwise specified.

Single phase half-wave 60Hz, resistive or inductive load, for capacitive load current derate by 20%.

Parameter	SYMBOLS	SOD1F1	SOD1F2	SOD1F3	SOD1F4	SOD1F5	SOD1F6	SOD1F7	UNITS
Marking Code		F1	F2	F3	F4	F5	F6	F7	
Maximum repetitive peak reverse voltage	V_{RRM}	50	100	200	400	600	800	1000	V
Maximum RMS voltage	V_{RMS}	35	70	140	280	420	560	700	V
Maximum DC blocking voltage	V_{DC}	50	100	200	400	600	800	1000	V
Maximum average forward rectified current at TL (see fig.1)	$I_{(AV)}$	1.0							A
Peak forward surge current 8.3ms single half sine-wave superimposed on rated load (JEDEC Method)	I_{FSM}	25							A
Maximum instantaneous forward voltage at 1.0A	V_F	1.3							V
Maximum DC reverse current TA=25°C at rated DC blocking voltage TA=125°C	I_R	5 50							uA
Typical junction capacitance (NOTE 1)	C_J	4							pF
Maximum Reverse Recovery Time	t_{rr}	150				250	500		ns
Typical thermal resistance (NOTE 2)	$R_{\theta JA}$	180.0							°C/W
Operating junction temperature range	T_J	-55 to +125							°C
Storage temperature range	T_{STG}	-55 to +150							°C

Note: 1. Averaged over any 20ms period.
 2. Measured with $I_F=0.5A$, $I_R=1A$, $I_{rr}=0.25A$.
 3. Measured at 1MHz and applied reverse voltage of 4.0V D.C.
 4. Thermal resistance junction to ambient, 6.0 mm² copper pads to each terminal.



SOD1F1 THRU SOD1F7

Reverse Voltage - 50 to 1000 Volts Forward Current - 1.0 Ampere

Typical Characteristics

Fig.1 Forward Current Derating Curve

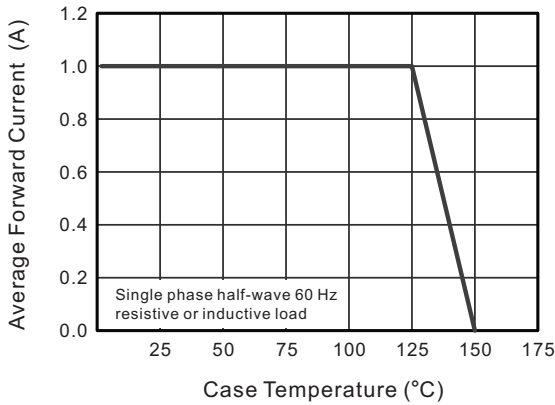


Fig.2 Typical Reverse Characteristics

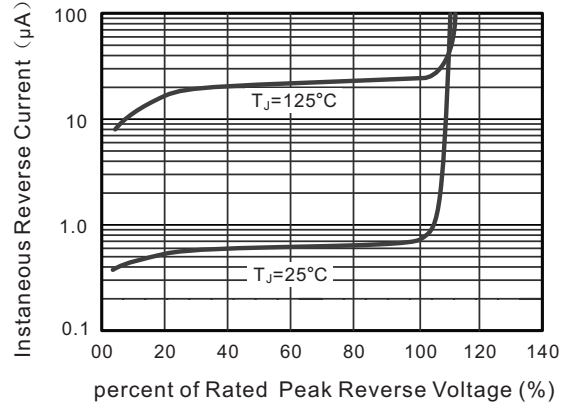


Fig.3 Typical Instantaneous Forward Characteristics

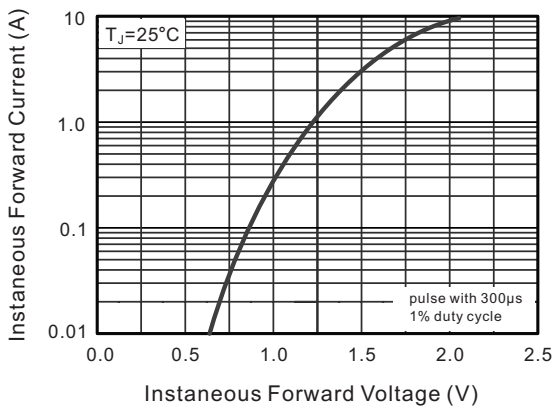


Fig.4 Typical Junction Capacitance

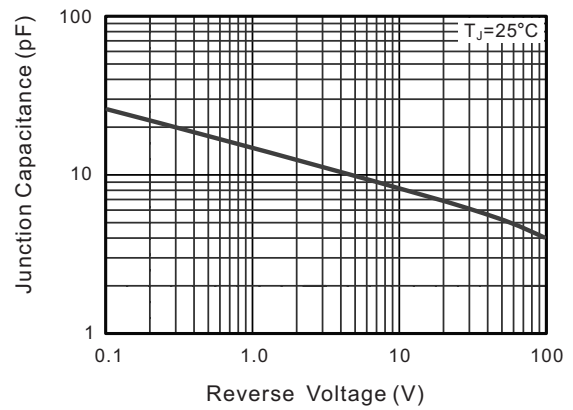
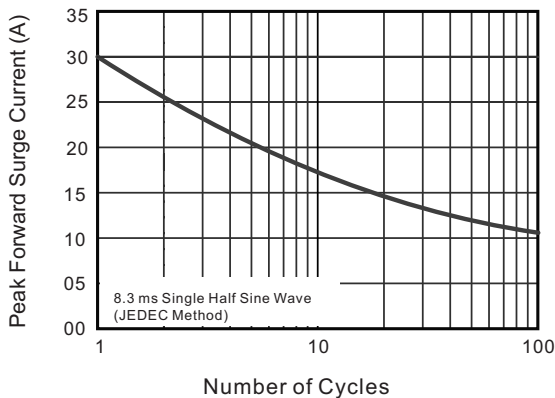


Fig.5 Maximum Non-Repetitive Peak Forward Surge Current



The curve above is for reference only.



SOD1F1 THRU SOD1F7

Reverse Voltage - 50 to 1000 Volts Forward Current - 1.0 Ampere

Packing information



unit:mm

Item	Symbol	Tolerance	SOD-123FL
Carrier width	A	0.1	2.1
Carrier length	B	0.1	4.0
Carrier depth	C	0.1	1.60
Sprocket hole	d	0.05	1.55
7" Reel outside diameter	D	2.0	178.00
7" Reel inner diameter	D1	min	50.0
Feed hole diameter	D2	0.5	13.00
Sprocket hole position	E	0.1	1.75
Punch hole position	F	0.1	3.50
Punch hole pitch	P	0.1	4.00
Sprocket hole pitch	P0	0.1	4.00
Embossment center	P1	0.1	2.00
Overall tape thickness	T	0.1	0.25
Tape width	W	0.3	8.15
Reel width	W1	1.0	10.5

Note: Devices are packed in accordance with EIA standard RS-481-A and specifications listed above.

Reel packing

PACKAGE	REEL SIZE	REEL (pcs)	COMPONENT SPACING (m/m)	BOX (pcs)	INNER BOX (m/m)	REEL DIA, (m/m)	CARTON SIZE (m/m)	CARTON (pcs)	APPROX. GROSS WEIGHT (kg)
SOD-123FL	7"	3,000	4.0	45,000	210*208*203	178	430*430*235	180,000	9.0

Suggested Pad Layout



Symbol	Unit (mm)	Unit (inch)
A	1.2	0.047
B	1.2	0.047
C	3.2	0.126
D	2	0.079
E	4.4	0.173

Important Notice and Disclaimer

Microdiode Electronics (Jiangsu) reserves the right to make changes to this document and its products and specifications at any time without notice. Customers should obtain and confirm the latest product information and specifications before final design, purchase or use.

Microdiode Electronics (Jiangsu) makes no warranty, representation or guarantee regarding the suitability of its products for any particular purpose, nor does Microdiode Electronics (Jiangsu) assume any liability for application assistance or customer product design. Microdiode Electronics (Jiangsu) does not warrant or accept any liability with products which are purchased or used for any unintended or unauthorized application.

No license is granted by implication or otherwise under any intellectual property rights of Microdiode Electronics (Jiangsu).

Microdiode Electronics (Jiangsu) products are not authorized for use as critical components in life support devices or systems without express written approval of Microdiode Electronics (Jiangsu).