



深圳市纬视达科技有限公司
SHENZHENSHI WEISHIDA TECHNOLOGY CO . LTD

产品规格承认书

SPECIFICATION FOR APPROVAL

USB 免驱摄像头模组

USB drive free camera

module 型号 (Model): WSD-1080P-V1.0

客户名称: Customer Name:
客户地址: Address:
送样日期: ____年__月__日 Date samples:
确认回签: Approved:

内 容 CONTENT			
1、目的	Target		
2、效力	Effect		
3、技术参数	Technical parameters		
4、外观尺寸	Shape and Dimensions		
5、产品图片	product picture		
6、外观检验标准	Appearance test		
7、可靠性测试	Reliability Test		
8、包装要求	Packaging requirements		
9、其他	Other		
版本 Version	编写 Compile	审核 Auditing	批准 Authorize
V1.5			
分发编号 (DistributionNo.)	存储编号 (Store No.)	附件数 (Attachment No.) 无	

一、目的 (Purpose)

为了全面地描述技术合作中所指的技术规格, 通常需要由一整套文件予以表示。作为其中的一部分, 本技术规格规定了摄像头模组应达到的特定技术规格, 对于该型号货品具有约束力。

For a comprehensive description of technical cooperation referred to the technical specifications, usually a set of documents required by the express. As one part of the technical specifications of the notebook provides camera modules, camera modules should meet the specific technical specifications for the goods model binding.

二、效力 (Efficacy)

如果本规范与该类货品的通用技术规格书中的规格不一致时, 以本规格书中的规定为准。

If the norms of such goods with a common technical specifications of the specification book is inconsistent to the specifications book shall prevail.

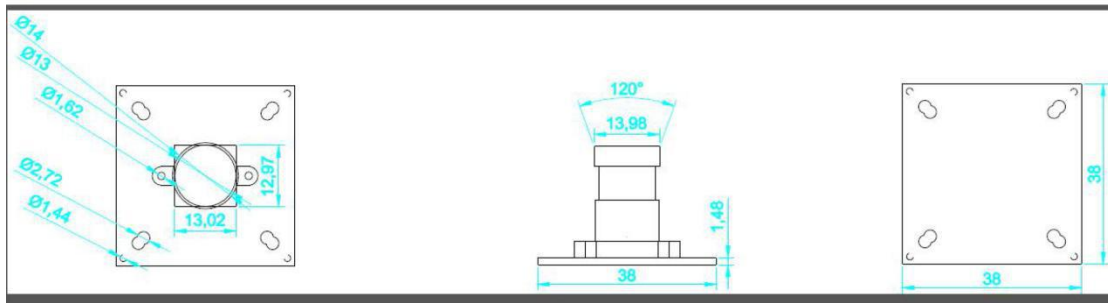
三、技术参数 (Technical parameters)

项目 (Items)	参数 (Parameters)
产品方案 (Product program)	CMOS
图像传感器 (CMOS)	1/2.7inch ov2710
图像像素 (Image pixels)	2M 1080P
图像格式 (Image Format)	YUV/MJPEG
数据格式 (Data Format)	240*320, 640*480, 800*600, 1280*720, 1920*1080
清晰度 (Definition)	中心 (center) :300 线 (lines), 四角: 250 线 (lines)
镜头 (Lens)	F. 6.4mm f/no. 2.8mm
焦范围 (Focus range)	600mm-
视场角 (Field of view)	45°
帧数 (Frame rate)	640*480@120fps, 1280*720@60fps, 1920*1080@30fps
摄像头控制 (camera control)	饱和度 (Saturation), 对比度 (Contrast), 锐度 (sharpness)
白平衡 (White balance)	自动 (auto), 手动 (Manually), Cr、Cb: 要求 (Request) -12≤平均值 (Average) ≤+12
曝光 (exposure)	自动 (auto), 手动 (Manually) (2600-5000K) 亮度平均值 (Average brightness), 要求 (Request) 102≤亮度值 (Average brightness) ≤166
睡眠电流 (sleep model current)	<10mA
工作电流 (working current)	< 200mA
储存温度 (Storage Temperature)	-20° C to + 60° C
工作温度 (working Temperature)	0° C to +50° C
驱动标准 (Drivers standard)	UVC 协议免驱动

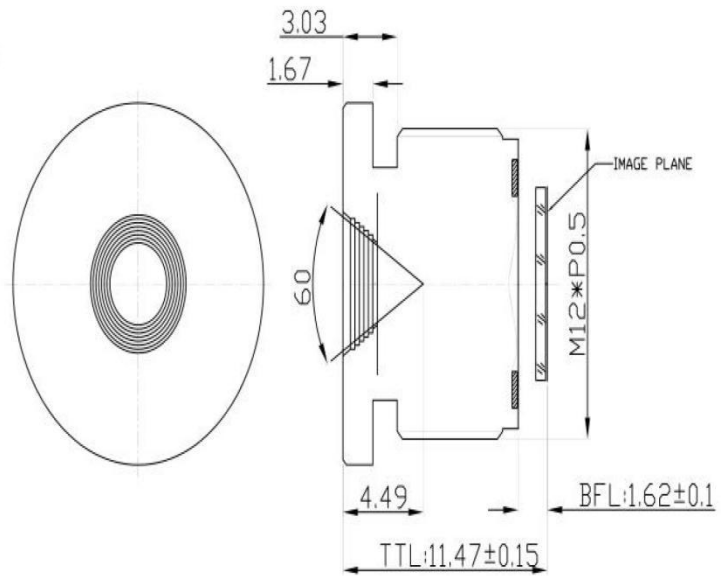
兼容系统 (system compatibility)	<ol style="list-style-type: none"> 1、 windows XP Professional SP2 or SP3 2、 windows Vista 3、 windows 7 4、 Linux with UVC driver (open source available at http://linux-uvc.berlios.de/)
待机冷启动电脑 (Cold-start standby computer)	windows XP (SP2 or SP3), windows 7, 8, Linux
待机热启动电脑 (Hot-start standby computer)	windows XP (SP2 or SP3) , windows 7, 8, Linux
接口方式 (interface mode)	USB2.0
工作电压 (operating voltage)	@DC5V
支持显示模式 (Display Modes)	LCD, CRT 显示器(Display)

四, 模组镜头外观尺寸和产品实物图

四, 模组镜头外观尺寸



2. FOR 1/2.5"SENSOR;
3. EFFECTIVE FOCAL LENGTH: 6.4MM;
4. F/NO: 2.8;
5. FOV: 58° ;
6. OPTICE DISTORTION <1%;
7. RELATIVE ILLUMINATION: 60%;
8. IR COATING:650±10NM AT: 50%;
9. CHIEF RAY ANGLE: =28.9°($\phi 7.14$);
10. MAX IMAGE CIRCLE: $\phi 7.6$ MM.





五、外观检验标准 (Appearance test standard)

(一) 外观表面定义:(The appearance of the definition)

1. 摄像头模组的外观 (Notebook camera appearance)

(二) 检验方法:(Test methods)

1. 人员: 外观检查人员需经过培训并且辨色能力正常,其视力应达到 1.0 以上(矫正后达到 1.0 以上亦可),辨色能力应可通过标准测试。

Staff: The appearance of the inspectors to be trained and the capacity of normal color vision, Its vision to achieve more than 1.0 (after correction can also be reached more than 1.0), Color vision capability should be available through standard tests

2. 距离和时间: 观察距离为 50 ~ 75cm, 观察时间为每个表面 3 ~ 5 秒。

Distance and Time: Observation distance: 50 ~ 75cm,
Observation time for each surface: 3 ~ 5seconds

3. 检验环境: 外观检验应在不刺目的荧光灯下检查,其最低照度应在 100 尺烛光亮度以上,或者是 60W 日光灯, 1.5m 距离下检验。

Test environment: Appearance inspection should not be under the glare of the fluorescent lamp examination, Its Minimum illumination should be above the brightness of 100 feet candle light vigil.

4. 观察角度: 观察角度在 80 ~ 0 之间。

Observation angle: Observation angle between 8 ~ 0 .

(三) 接受标准 (Accept criteria)

1. 清洁程度: 部件必须无污点、无尘、无油脂及无其它污迹。由于运输材料造成的污迹如果能够吹去或抹去则是可以接受的。

The degree of Cleanliness : Components must not stain, clean, no grease and other stains. Because of s s stains caused by the transport of materials can erased , it is acceptable.

2. 装配表面: 需装配的零部件应避免有划痕、凿痕、凹痕、弯折、破裂、压痕、擦伤或其它因不当装配所引起的缺陷。

Assembly surface: Assembly of parts and components required to have scratches should be avoided, dent, bend, break down, Indentation, scratches or other improper assembly defects.

六、可靠性测试 (Reliability Test)

七. 包装要求(Packing Request)

1、产品应严格根据产品特点制定相应的包装标准并遵照执行，以保证产品规定使用和储存

项目 Items	条件 Condition	规格 Specification
高温实验 High Temperature Test	温度(Temp): 70℃ 时间(Time): 24H	无异常 No abnormal
低温实验 Low Temperature Test	温度(Temp): -20℃ 时间(Time): 24H	无异常 No abnormal
湿度实验 Humidity Test	温度(Temp): 70℃ 湿度(Humidity): 80-85% 时间 (Time) : 24H	无异常 No abnormal
镜头座拉力实验 Cable Tensile Strength Test	荷重: 4KG 持续时间: 60 秒	无异常 Noabnormal
跌落测试 (单体) Drop Test	高(High): 60CM 回数: 10 次 木板上	电性能正常 Electric normal
跌落测试 (整箱) Drop Test	高(High): 60CM 一角三边六面 木板上	电性能正常 Electric normal
震动测试 (单体) Vibration Test	1. 震动机的震动频率调至 50Hz; Vibration machine vibration frequency to 50Hz 2. 震动幅度 Vibration amplitude 1.5MM; 3. 震动时间 Vibration time 30 Minutes	电性能正常 Electric normal
弯曲实验 Bending Test	用弯曲测试治具将 PCBA 弯曲 10 度	电性能正常 Electric normal
拔插实验 USB connector	回数: 2500 回	电性能正常 Electric normal

期内，达到防静电、防湿、防震、防霉、防野蛮装卸等标志及相关保质要求。

Products should be strictly in accordance with the characteristics of the development of the corresponding Product packaging standards and in compliance with the implementation, guarantee the use and storage of products during the period, reaching anti-static, moisture, shock-proof, mildew, anti-barbaric handling related signs and shelf-life requirements.

2、产品外包装上应标明：供方名称/标志、产品型号规格、内装数量、生产日期/批号和定单号。

Productpackagingshouldbemarked:Supply-sidename/logo, ProductModelspecifications, containing the number, production date / batch number and order number.

3、包装及装箱方案依据客户要求，由双方协商具体细节，以封样为准。

Packaging and packing programs based on customer requirements, specific details of consultations by both parties, to finished products as the standard.

八. 其它(Others)

1. 本承认书的更改需经双方确认，任何一方单独修改无效。

The recognition of the need to change the book recognized by both parties, either party to amend a separate as null and void.

2. 本承认书在客户收到的七个工作日内，必须签章返回，逾期视为默认。

Admit in the book the customer received within seven working days, must return signature, late regarded as the default.