



REV.	ECN NO OR DESCRIPTION	REVISED	DATE

A

B

C

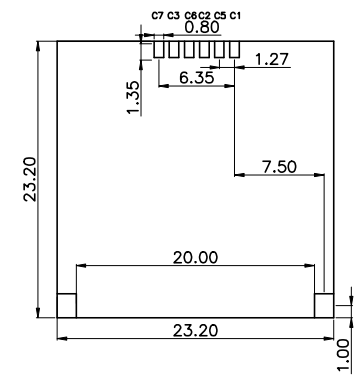
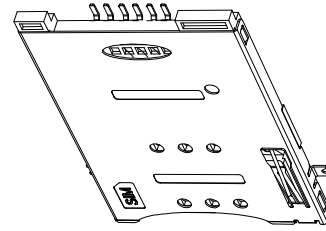
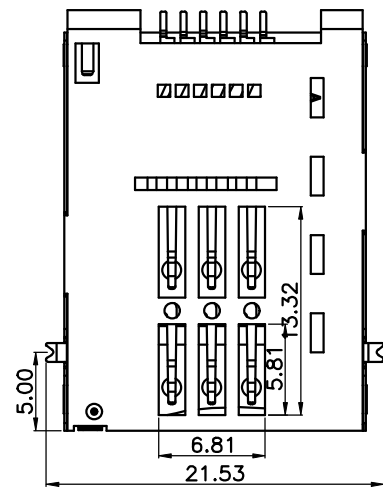
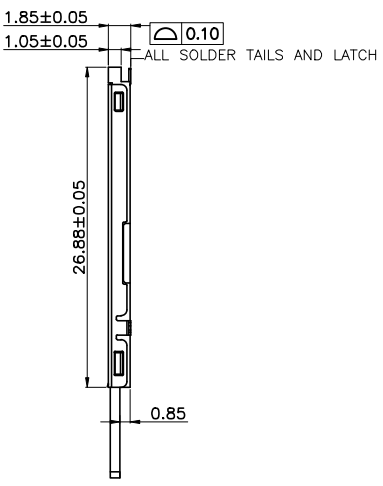
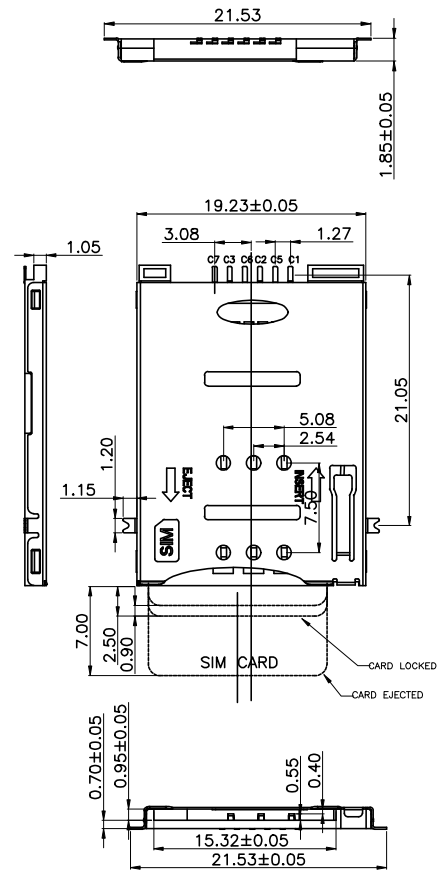
D

A

B

C

D



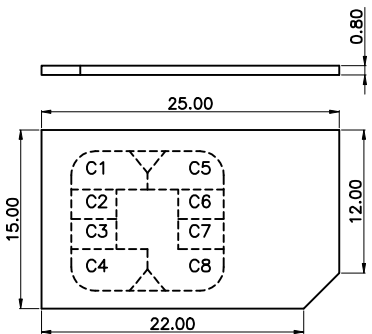
RECOMMENDED PCB LAYOUT  
GENERAL TOLERANCE ±0.05

pin no.	name
C1	vcc of sim
C2	rst of sim
C3	clk of sim
C5	gnd of sim
C6	vpp of sim
C7	I/O of sim
C4/C8	n/a

1.SPECIFICATIONS  
 INSULATION RESISTANCE: 500M min.AT DC 500V DC  
 WITHSTANDING VOLTAGE: 250V ACrms FOR 1 MINUTE  
 CONTACT RESISTANCE: 100M max. AT 10MA/20mV max  
 CURRENT RATING: 0.5A  
 VOLTAGE RATING: 5.0 vrms  
 OPERATING TEMP.RANGE:-55 C+85 C  
 MATING CYCLES: 5000 INSERTIONS

2.MATERIAL:  
 INSULATOR: H-TEMPERATURE PLASTIC,UL 94V-0,  
 COLOR\*BLACK  
 TERMINAL: COPPER ALLOY,T=0.15mm  
 SHELL: STAINLESS STEEL,T=0.15mm

3.FINISH:  
 TERMINAL:50u" min NICKEL UNDERPLATED ON ALLOVER,GOLD PLATING  
 ON CONTACT ARER, 80u"min TIN ON SOLDER TAIL.  
 SHELL:50u" NICKEL UNDERPLATED ON ALLOVER, GOLD FLASH ON SOLDER LATCH



UNLESS OTHERWISE SPECIFIED TOLERANCES

DECIMALS:	ANGLES:
X ±0.5	X ±2°
X.X ±0.20	X.X ±1°
X.XX ±0.10	

东莞市汉博电子科技有限公司  
DONGGUAN HANBO TECHNOLOGY CO., LTD

TITLE	Mini Sim Card Push Push 6P Smt无铅			
DWN	xiong	SIM-207		
CHKD	lee	SCALE:1:1	UNIT: mm	
APVD	wang	SIZE: A4	SHEET:10F 1	REV: A4

CUSTOMER COPY