



REV.	ECN NO OR DESCRIPTION	REVISED	DATE

规格说明: Specificatance

电气特性: Electrical:

1. 接触阻抗: Contact Resistance
30 milliohms MAX
2. 耐电压: Dielectnic Withstanding Voitsge:
500V AC AT Sea level
3. 绝缘阻抗: Lnsulation Resistance;
1000MEGA ohms MIN

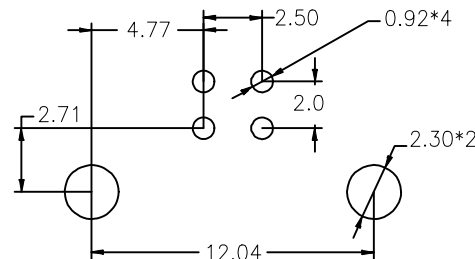
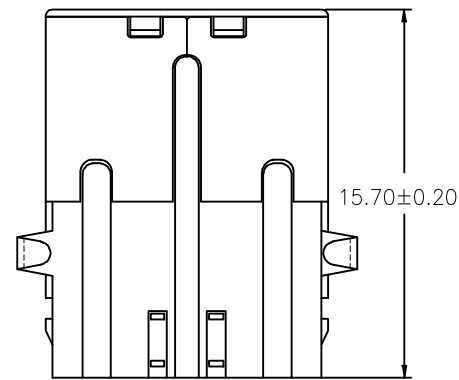
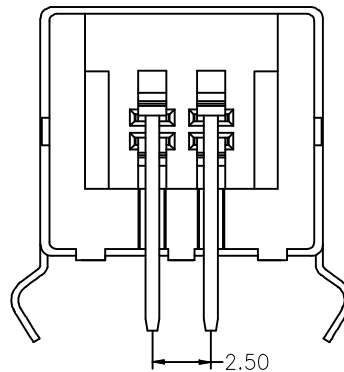
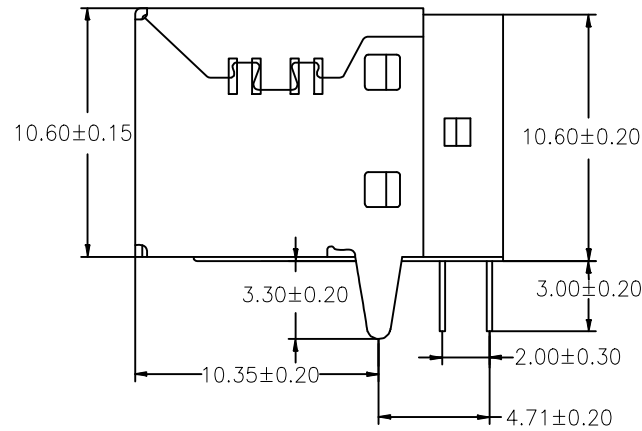
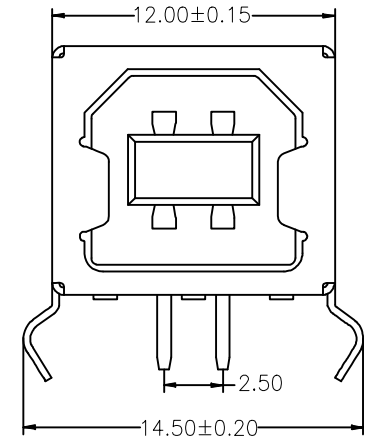
原材料: Matorial:

1. 塑胶: Housing;
Hing Temperature tnermaplastics,
U1 94V-0 PBT White/Black

2. 端子; Contact;copper Alloy 铜合金
3. 外壳; Shell;copper Alloy C2680/SPcc
4. 后盖; Back cover;SPCC

电镀; FINISH;

1. 端子; Contact;Piated Gold in Mating Area;
Tin On Solder tails
2. 外壳; Sholl;
N1CKel Plating



UNLESS OTHERWISE SPECIFIED TOLERANCES		东莞市汉博电子科技有限公司 DONGGUAN HANBO TECHNOLOGY CO., LTD			
DECIMALS:	ANGLES:	TITLE	USB BF 90度弯脚		
X :±0.30	X :±2°	DWN	xiong	PART NO. USB-U270-BWS	
X.X :±0.20	X.X :±1°	CHKD	lee	SCALE:1:1	UNIT: mm
X.XX :±0.10		APVD	wang	SIZE: A4	SHEET:10F 1
CUSTOMER COPY					