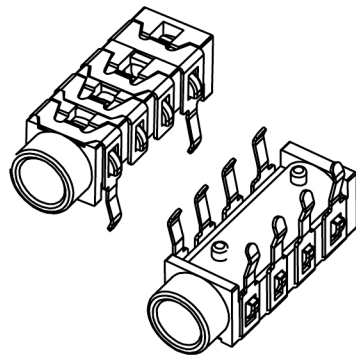
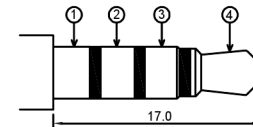


PJ-313B8-



PJ-313B6-	PJ-313B8-



Ø3.50mm 4 POLE PLUG

color	B:Black Y: Yellow G: Green
-------	-------------------------------

	MATERIAL	PLATING
terminal 1	Phosphor Bronze	tin
terminal 2	Phosphor Bronze	tin
terminal 3	Phosphor Bronze	tin
terminal 4	Phosphor Bronze	tin
plastic	Pbt	

广东星坤科技股份有限公司

Δx	日期
Δx	日期
Δx	日期
MARK	DESCRIPTION

文件工程章

REVISIONS	DATE	REVISED	APPROVED	UNSPECIFIED TOLERANCES
				ANGULAR ±5°
				L ≤ 4 ±0.2
				4 < L ≤ 16 ±0.3
				16 < L ≤ 63 ±0.4
				L > 63 ±0.5



DSND	SCALE: N/A	MODEL TYPE: 3.5 PHONE JACK
DWN	VIEW:	PART NO.: PJ-313BX-X
CHKD	UNIT: mm/in	DWG NO.:
APPD	SIZE: A4	
	WEIGHT	SHEET
		1/1
	REVISIC	A0

XKB INDUSTRIAL PRECISION CO., LIMITED

www.helloxkb.com www.helloxkb.cn www.xk-dg.cn