

## FEATURES

- Light operating force.
- Long term low contact resistance.
- Momentary or latching operation.
- Short stroke 2.0mm to latch.
- Compact spacing on PCB of 8.5mm.

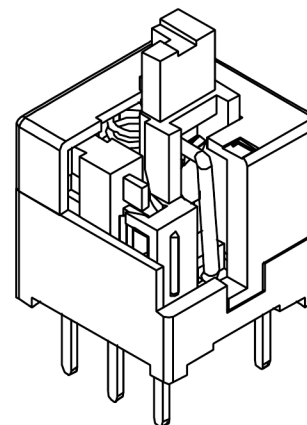
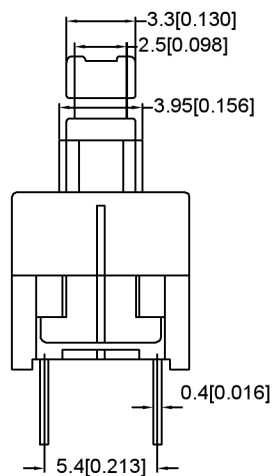
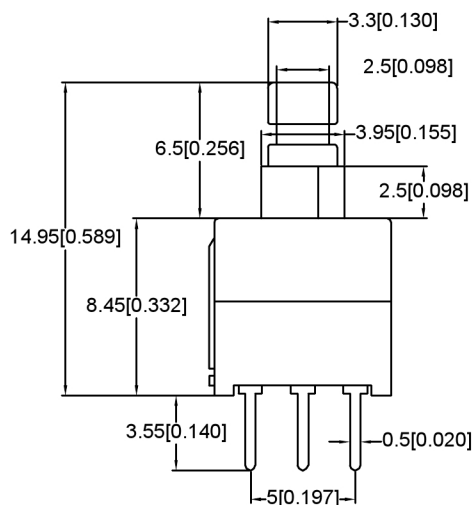
## SPECIFICATIONS

### 1.ELECTRICAL

● Contact rating	0.1A, 30VDC
● Contact resistance	50mVMax.
● Insulation resistance	100MVMIn. at 250VDC
● Dielectric strength	250VAC Min. for 60 sec.

### 2.MECHANICAL AND ENVIRONMENTAL

● Temperature rating	Operating: -15 °C to +55 °C Storage: -25 °C to +65 °C
● Operation force	160±80gf
● Stroke	Lock Stroke: 2.0±0.2mm Full Stroke: 2.5±0.2mm
● Operating life	full load: 1x10 <sup>4</sup> cycles no load: 1x10 <sup>5</sup> cycles
● Contact form	DPDT



PAPT NO	XKB8585-X-150
OPERATION	W:NO LOCK Z:LOCK

⑦	Contact	—	2	Phosphor bronze	Plating silvering	—
⑥	Terminal	—	6	Brass	Plating silvering	—
⑤	Spring	—	1	Sus	Natural	—
④	Base	—	1	Pbt		—
③	Crochet Needle	—	1	Sus	Natural	—
②	Cover	—	1	Pom		—
①	Keystake	—	1	Pom		—
ITEM	PAPT NAME	TER.NO	QTY	MATERIAL	FINISHING	REMARK

广东星坤科技股份有限公司

日期  
文件工程章

文件工程章

REVISIONS	DESCRIPTION	DATE	REVISED	APPROVED	UNSPECIFIED TOLERANCES
Δx					ANGULAR ±5°
Δx					L ≤ 4 ±0.2
Δx					4 < L ≤ 16 ±0.3
Δx					16 < L ≤ 63 ±0.4
MARK					L > 63 ±0.5

DSND		SCALE: N/A	MODEL TYPE: KEY SWITCH
DWN		VIEW:	PART NO.: XKB8585-X-150
CHKD		UNIT: mm/in	DWG NO.:
APPD		SIZE: A4	
XKB INDUSTRIAL PRECISION CO., LIMITED			WEIGHT
			SHEET
			REVISIC
			1/1
			A0

