



UG4KB05-UG4KB100

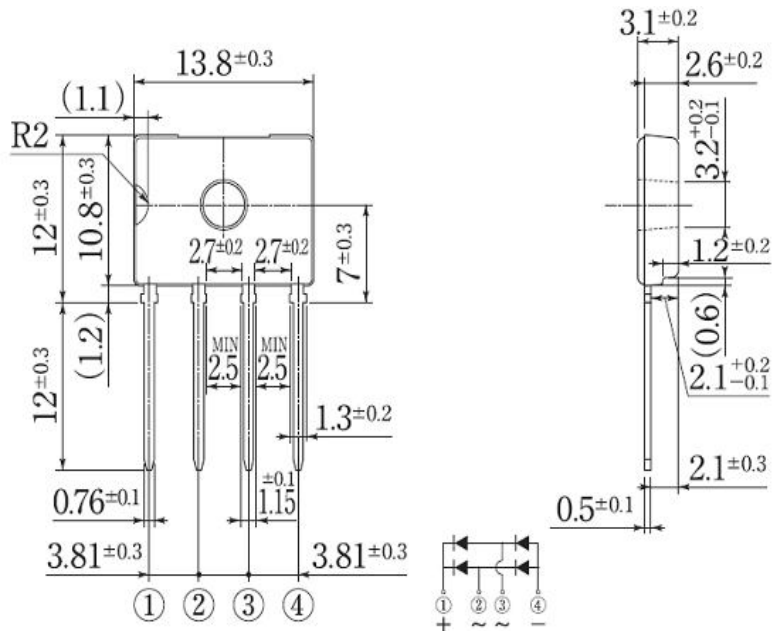
BRIDGE RECTIFIERS

Features

- Glass Passivated Die Construction
- High case dielectric strength
- High surge current capability
- Ideal for printed circuit board

Mechanical Data

- Terminal: Plated leads solderable per MIL-STD 202E, Method 208C
- Case: UL-94 Class V-0 recognized Flame Retardant Epoxy
- Polarity: Polarity symbol marked on body
- Mounting Position: Any



Maximum Ratings and Electrical Characteristics @TA=25°C unless otherwise specified

Single Phase, half wave, 60Hz, resistive or inductive load. For capacitive load, derate current by 20%.

Parameter	Symbol	UG4KB 05	UG4KB 10	UG4KB 20	UG4KB 40	UG4KB 60	UG4KB 80	UG4KB 100	UNIT
Maximum repetitive peak reverse voltage	V_{RRM}	50	100	200	400	600	800	1000	V
Maximum RMS voltage	V_{RMS}	35	70	140	280	420	560	700	V
Maximum DC blocking voltage	V_{DC}	50	100	200	400	600	800	1000	V
Maximum Average forward output rectified current	I (AV)	4.0							A
Peak forward surge current 8.3ms single sine-wave superimposed on rated load (JEDEC Method)	I_{FSM}	80							A
Maximum instantaneous forward voltage drop per diode @4.0A	V_F	1.1							V
Maximum DC reverse current at TA=25°C rated DC blocking voltage per leg TA=125°C	I_R	5.0 500							uA
Typical thermal resistance per leg	$R_{\theta JA}$ $R_{\theta JL}$	55 15							°C/W
Operating junction temperature range	T_J	-55 to +150							°C
storage temperature range	T_{stg}	-55 to +150							°C



UG4KB05-UG4KB100 BRIDGE RECTIFIERS

Characteristic Curves ($T_A=25\text{ }^\circ\text{C}$ unless otherwise noted)

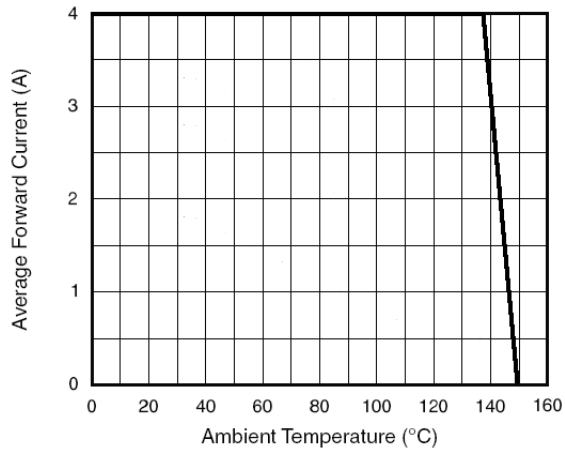


Figure 1. Forward Current Derating Curve

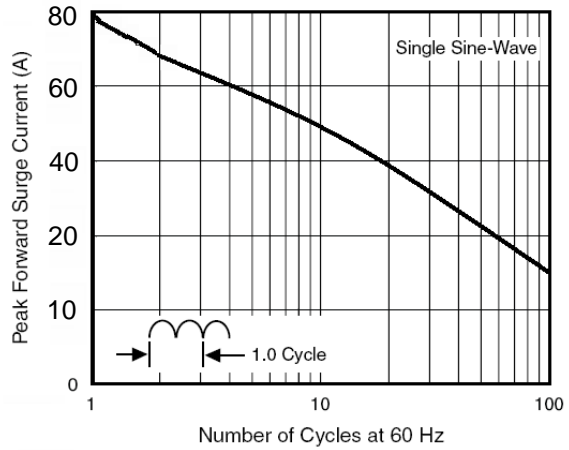


Figure 2. Maximum Non-Repetitive Peak Forward Surge Current Per Diode

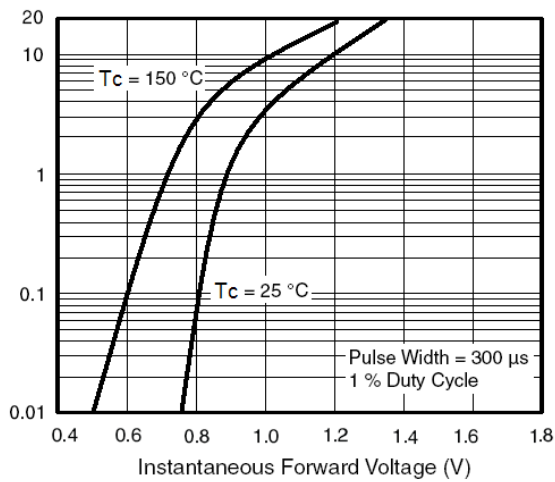


Figure 3. Typical Forward Characteristics Per Diode

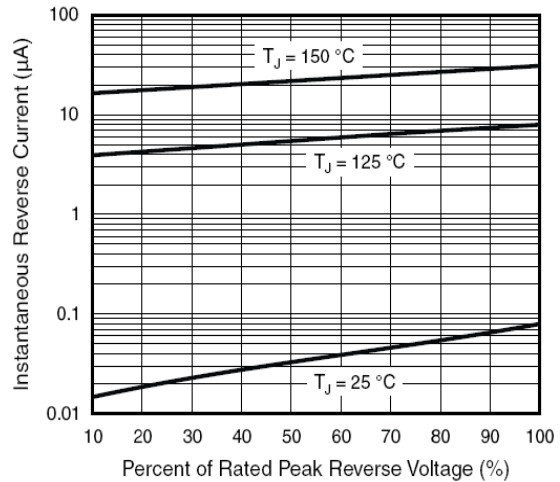


Figure 4. Typical Reverse Leakage Characteristics Per Diode