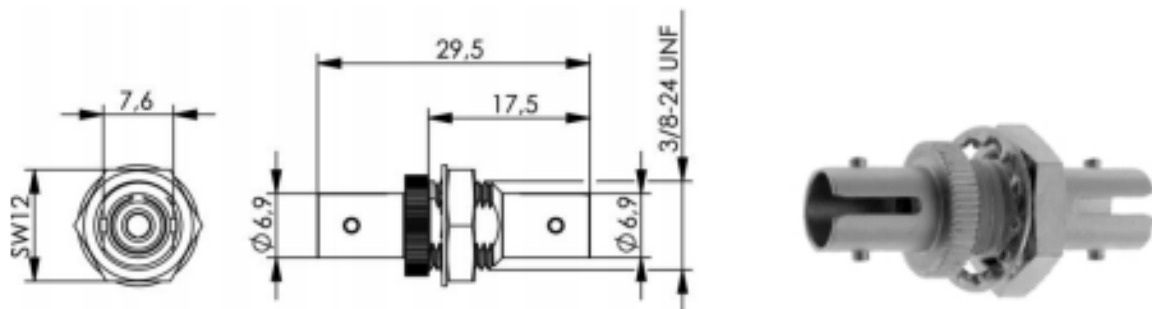


Datasheet

ST COUPLER

RS Stock number [422-6010](#)



Product description

Telegärtner FO connectors are equipped with ceramic ferrules and split sleeves which are essential for precision and endurance; termination to cables or fibers may be carried out using common tools and accessories. The preformed convex front end of the connector ferrule provides extremely short polishing duration and exceptional optical performance. All FO connectors comply with the current international standards.

The T-ST3 type provides an internal strain relief, which avoids signal interruption when pulling the cable (N.O.D.). For Plastic Fibers (POF) with 1 mm fiber diameter an economical metal connector is available providing extremely quick assembly using simple accessories without adhesive.

The current requirements to achieve in FO applications the same port density as with RJ45 connectors have led to newly developed FO connector systems named SFF (= Small Form Factor). Telegärtner offers the connector types MT-RJ and LC within this system. The space requirements in panels or outlets are only half of those required by common connector types such as ST or SC.

Telegärtner offers a complete range of components within this system: FO connectors, jacks for outlets prepared for direct field termination of fibers, adaptors, patch cables, adaptor cables, outlets with guaranteed bending radii and suitable for standard switching programs, patch panels with and without telescope operation as well as wall boxes in different sizes.

The SC/APC connector type (Angled Physical Contact) with 8° angled polished ferrule end face has been developed for transmission lines with particular high return loss requirements for better than 60 dB. The connectors are available as pigtails or cable assemblies, the connector and adapter housings are green for easy identification.

Technical Attributes	
Description	ST Adaptor, Multimode, phosphor bronze sleeve, metal housing
Installation	single hole mounting
Mount. dim.	Z64

Mechanical Characteristics	
Type	BFOC/2,5 acc. IEC 61754-2
Durability (mating cycles)	≥1000
Hex crimp size for strain relief	4.52 x 10 mm
Strain relief	≥100 N
Material: connector ferrule	Zirkonia ceramic
Material: adaptor split sleeve	Zirkonia ceramic or phosphor bronze
Material: connector body (ST3, ST for POF), fixing parts for adaptor	brass, nickel-plated
Material: bayonet coupling nut, connector body (ST), adaptor housing	zinc diecast, nickel-plated
Material: crimp sleeve	copper, nickel-plated
Material: cable boot, dust caps	elastomer, flame retardant, non halogen

Climatic Characteristics	
Operating temperature	-20°...80° C
Storage temperature	-40°...90° C

Optical Characteristics	
Insertion loss: Plug (factory assembly)	Multimode: max. 0.4 dB ¹ ; Singlemode: max. 0.5 dB ¹
Insertion loss: Adaptor (ceramic)	Multimode/Singlemode: max. 0.2 dB ¹
Insertion loss: Adaptor (phosphorous bronze)	Multimode: max. 0.2dB ¹
Return loss	Multimode: min. 30 dB ² ; Singlemode: min. 40 dB ²