

**Schottky Rectifier**
**30CPQ150**
**FEATURES**

- Low forward voltage drop
- High frequency operation

**APPLICATIONS**

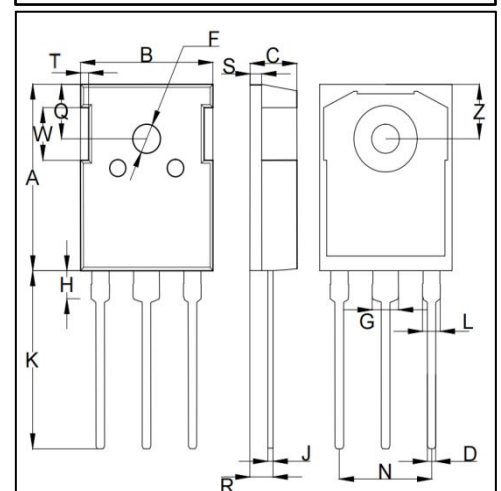
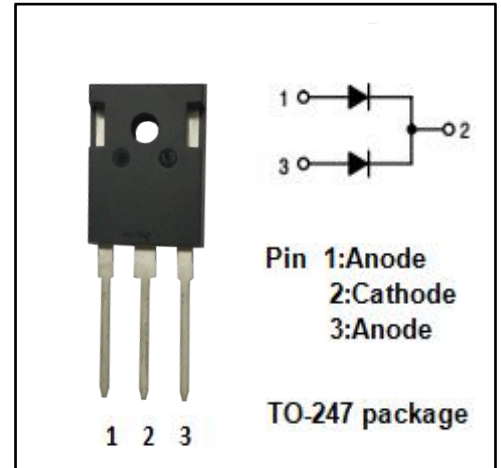
- Switching power supplies
- Converters
- Freewheeling diodes
- Reverse battery protection

**ABSOLUTE MAXIMUM RATINGS(T<sub>a</sub>=25°C)**

SYMBOL	PARAMETER	VALUE	UNIT
V <sub>RRM</sub>	Peak Repetitive Reverse Voltage	150	V
I <sub>F(AV)</sub>	Average Rectified Forward Current	2*15	A
I <sub>FSM</sub>	Non-repetitive Peak Surge Current t <sub>p</sub> = 5 μs sine	1000	A
T <sub>J</sub>	Junction Temperature	-55~175	°C
T <sub>stg</sub>	Storage Temperature Range	-55~175	°C

**THERMAL CHARACTERISTICS**

SYMBOL	PARAMETER	MAX	UNIT
R <sub>th j-c</sub>	Thermal Resistance, Junction to Case	1.1	°C/W



DIM	mm		
	MIN	TYP.	MAX
A	19.80	20.65	21.50
B	15.40	15.65	15.90
C	4.70	5.00	5.30
D	0.90	1.08	1.26
F	3.50	3.70	3.90
G	2.70	3.00	3.30
H	3.90	4.00	4.10
J	0.50	0.60	0.70
K	19.50	20.00	20.50
L	1.90	2.05	2.20
N	10.80	10.90	11.00
Q	6.00	6.15	6.30
R	2.90	3.10	3.30
S	1.80	2.00	2.20
T	2.15	2.25	2.35
W	4.90	5.00	5.10
Z	6.00	6.15	6.30

**ELECTRICAL CHARACTERISTICS**

SYMBOL	PARAMETER	CONDITIONS	MAX	UNIT
V <sub>F</sub>	Maximum Forward Voltage Drop per Leg	I <sub>F</sub> = 15A ; T <sub>J</sub> = 25°C	1.00	V
		I <sub>F</sub> = 30A ; T <sub>J</sub> = 25°C	1.19	
		I <sub>F</sub> = 15A ; T <sub>J</sub> = 125°C	0.78	
		I <sub>F</sub> = 30A ; T <sub>J</sub> = 125°C	0.93	
I <sub>R</sub>	Maximum Instantaneous Reverse Current per Leg	Rated DC Voltage, T <sub>J</sub> = 25°C	0.1	mA
		Rated DC Voltage, T <sub>J</sub> = 125°C	15	

**PRODUCT DISCLAIMER**

ISC reserves the rights to make changes of the content herein the datasheet at any time without notification. The information contained herein is presented only as a guide for the applications of our products.

ISC products are intended for usage in general electronic equipment. The products are not designed for use in equipment which require specialized quality and/or reliability, or in equipment which could have applications in hazardous environments, aerospace industry, or medical field. Please contact us if you intend our products to be used in these special applications.

ISC makes no warranty or guarantee regarding the suitability of its products for any particular purpose, nor does ISC assume any liability arising from the application or use of any products, and specifically disclaims any and all liability, including without limitation special, consequential or incidental damages.

It is strictly prohibited to reprint or copy part or all of this datasheet without permission from ISC.